

Brand ZUCCHETTI

Class MISCELLANEOUS

JINGLE

Z94595.1900 2/3 way diverter.



2/3 way diverter without water on/off function, 1/2" outlets.

R97830.1900

Rough-in _ 2 way diverter



R97835.1900

Rough-in _ 3 way diverter



Finishes

		C3		C8		C40		C41		C50		C51
Chrome	Brushed Nickel		Polished Nickel		Gold		Brushed Gold		Metal Black		Brushed Metal Black	
	W1		N1									
Embossed Matt White		Embossed Matt Black										

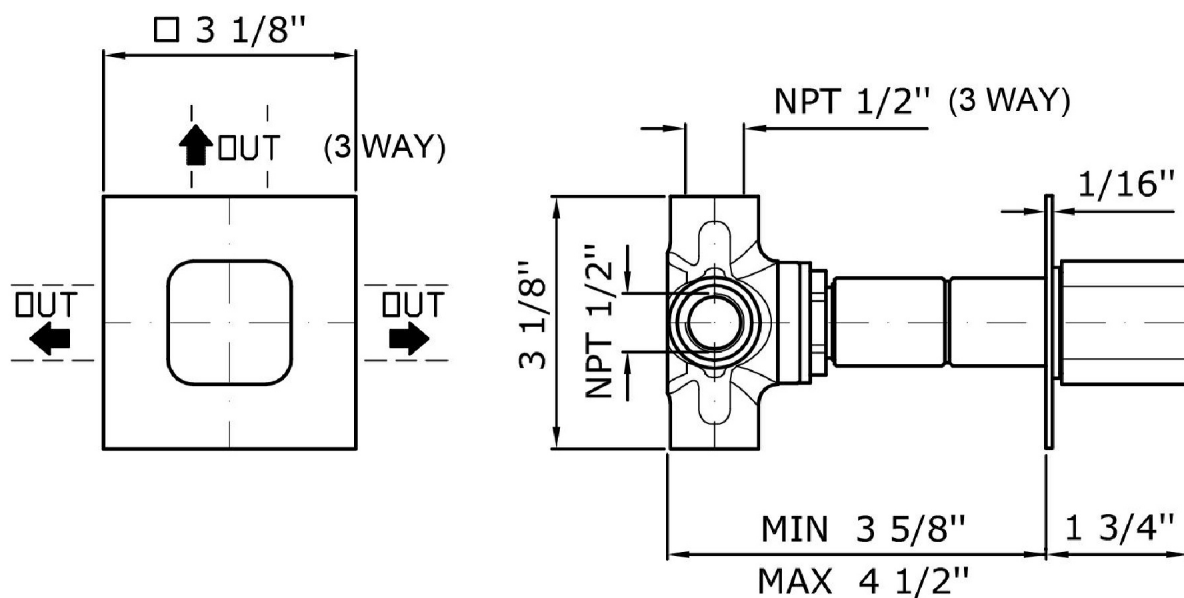
Brand ZUCCHETTI

Class

MISCELLANEOUS

JINGLE

Z94595.1900 Overall Drawing



Brand ZUCCHETTI

Class MISCELLANEOUS

JINGLE

Z94595.1900 Certifications

USA

IAPMO

JINGLE

Z94595.1900 Weights and Sizes

Weight (lb)	0,548 (Kg)	1,2081208 (lb)
Volume (dc3) - (in3)	0,91 (dc3)	0,000056 (in3)
h (mm) - (in)	66 (mm)	2,5984266 (in)
L1 (mm) - (in)	111 (mm)	4,3700811 (in)
L2 (mm) - (in)	123 (mm)	4,8425223 (in)

