

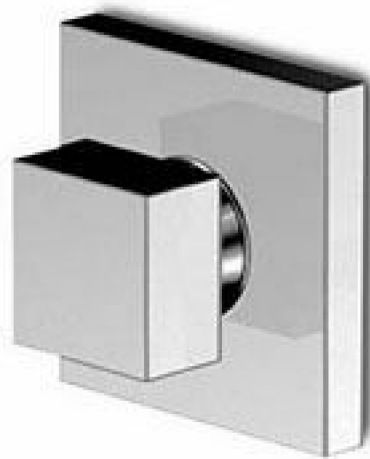
Brand ZUCCHETTI

Class MISCELLANEOUS

AGUABLU

Z94471

Built-in diverter.



Built-in diverter for bath-shower mixer.

R99629.1900

Rough-in



Finishes



Chrome



Brushed Nickel

C3



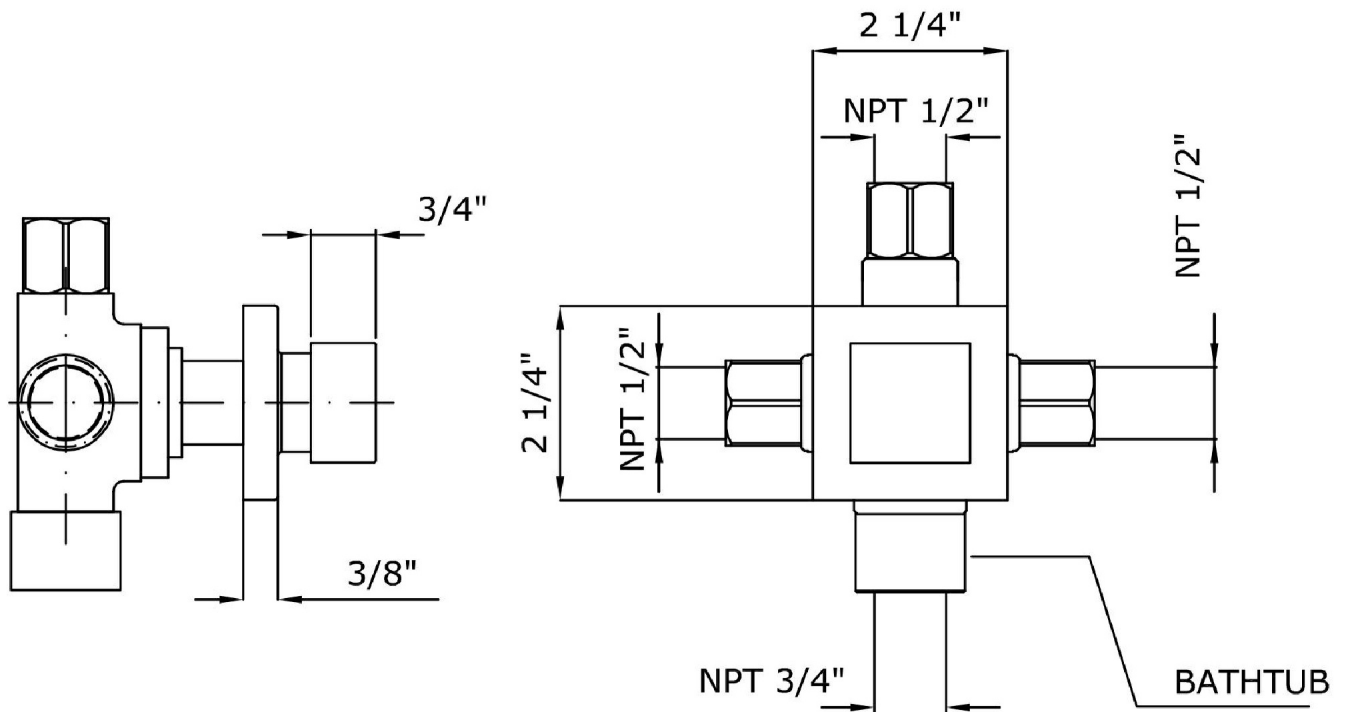
Polished Nickel

C8

AGUABLU

Z94471

Overall Drawing

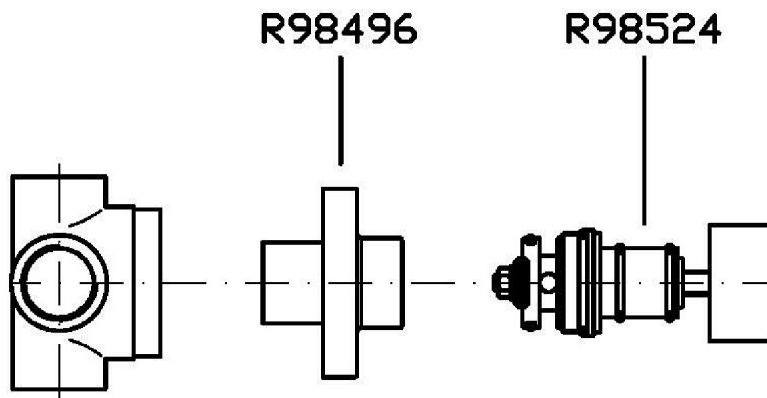


Brand ZUCCHETTI

Class MISCELLANEOUS

AGUABLU

Z94471 Exploded



Brand ZUCCHETTI

Class MISCELLANEOUS

AGUABLU

Z94471 Weights and Sizes

Weight (lb)	0,46 (Kg)	1,014116 (lb)
Volume (dc3) - (in3)	0,55 (dc3)	0,000034 (in3)
h (mm) - (in)	70 (mm)	2,755907 (in)
L1 (mm) - (in)	80 (mm)	3,149608 (in)
L2 (mm) - (in)	98 (mm)	3,8582698 (in)

