

## SHOWER

Z94271

Ø 9 13/16" shower head simple jet.



Ø 9 13/16" stainless steel shower head simple jet, with anti-limescale system. 5/16" thickness. Maximum flowrate requested: 2,5

### Finiture / Finishes

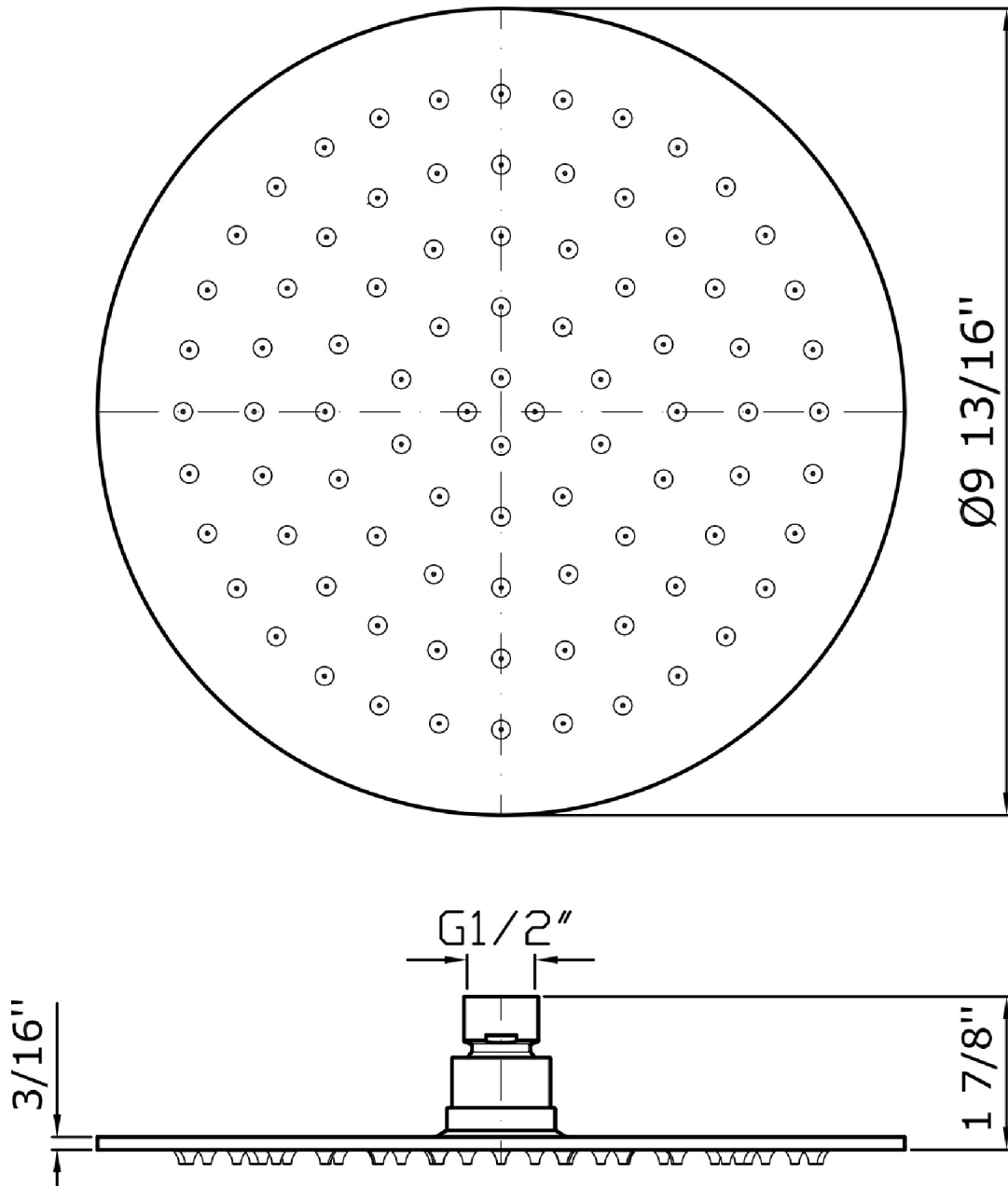


Chrome

## SHOWER

Z94271

Disegno Complessivo / Overall Drawing



## SHOWER

Z94271

Pesi e Misure / Weights and Sizes

Peso ( Kg ) Weight ( lb )	1,80 ( Kg )	3,97 ( lb )
Volume test ( dc3 ) - ( in3 )	8,65 ( dc3 )	527,86 ( in3 )
h ( mm ) - ( in )	90,00 ( mm )	3,54 ( in )
L1 ( mm ) - ( in )	420,00 ( mm )	16,54 ( in )
L2 ( mm ) - ( in )	420,00 ( mm )	16,54 ( in )

