

## SHOWER

Z94265.1900      Ø 7 7/8" brass shower head.



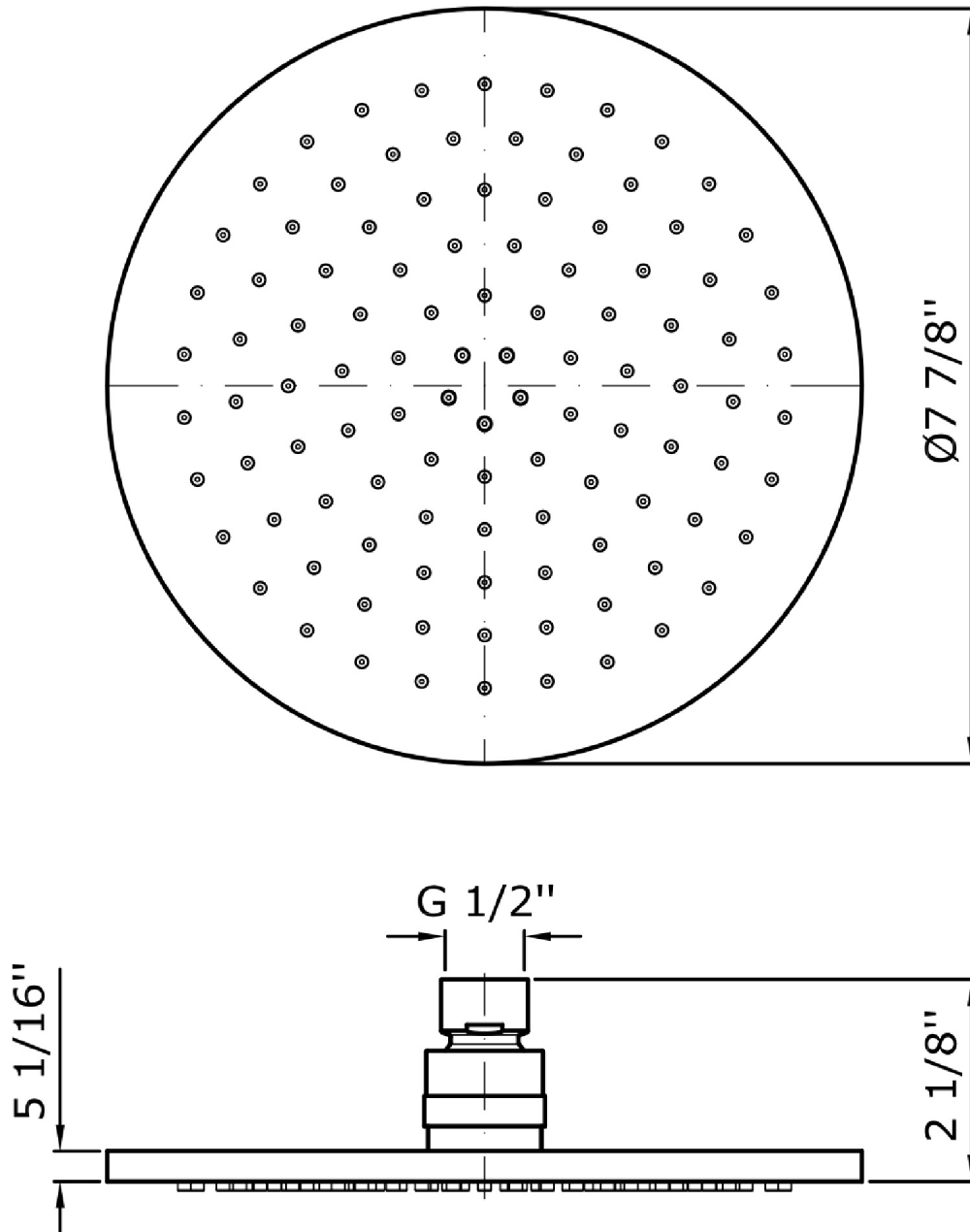
Ø 7 7/8" brass shower head, with anti-limescale system. 5/16 " thickness. Inspectionable. Flowrate 1,5 GPM

### Finiture / Finishes

|  |  |  |   |   |   |   |
|--|--|--|---|---|---|---|
|      |  C3 |  C8 |  C40 |  C41 |  C50 |  C51 |
| Chrome   | Brushed Nickel   | Polished Nickel  | Gold  | Brushed Gold  | Metal Black   | Brushed Metal Black   |
|  P70 |  W1 |  N1 |  N7  |   |   |   |
| PVD Rose Gold  | Embossed Matt White  | Embossed Matt Black  | Soft Touch Black  |   |   |   |

## SHOWER

Z94265.1900 Disegno Complessivo / Overall Drawing



## SHOWER

### Z94265.1900 Pesì e Misure / Weights and Sizes

|                               |               |                |
|-------------------------------|---------------|----------------|
| Peso ( Kg ) Weight ( lb )     | 1,01 ( Kg )   | 2,23 ( lb )    |
| Volume test ( dc3 ) - ( in3 ) | 8,65 ( dc3 )  | 527,86 ( in3 ) |
| h ( mm ) - ( in )             | 90,00 ( mm )  | 3,54 ( in )    |
| L1 ( mm ) - ( in )            | 310,00 ( mm ) | 12,20 ( in )   |
| L2 ( mm ) - ( in )            | 310,00 ( mm ) | 12,20 ( in )   |

