

Marchio / Brand ZUCCHETTI

SHOWER ACCESSORIES

SHOWER

Z93811.1900

Wall elbow.



Wall elbow 1/2" x 1/2".

Finiture / Finishes



Chrome



Polished Nickel

C8



Gold

C40

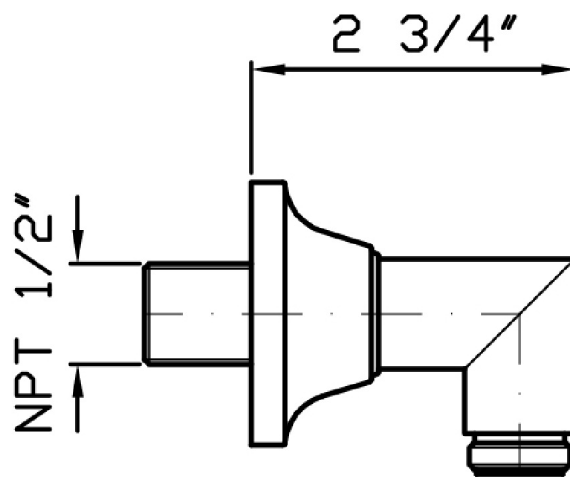
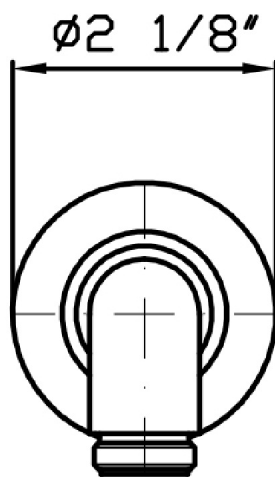


Brushed Gold

C41

SHOWER

Z93811.1900 Disegno Complessivo / Overall Drawing



SHOWER

Z93811.1900

Certificazioni / Certifications

USA

CSA

SHOWER

Z93811.1900

Pesi e Misure / Weights and Sizes

Peso (Kg) Weight (lb)	0,32 (Kg)	0,71 (lb)
Volume test (dc3) - (in3)	0,55 (dc3)	33,56 (in3)
h (mm) - (in)	70,00 (mm)	2,76 (in)
L1 (mm) - (in)	80,00 (mm)	3,15 (in)
L2 (mm) - (in)	98,00 (mm)	3,86 (in)

