

Marchio / Brand ZUCCHETTI

SHOWER ACCESSORIES

## SHOWER

Z93802.1900

Wall elbow.



Wall elbow 1/2" x 1/2".

### Finiture / Finishes



Chrome



Brushed Nickel

C3



Polished Nickel

C8



Gold

C40

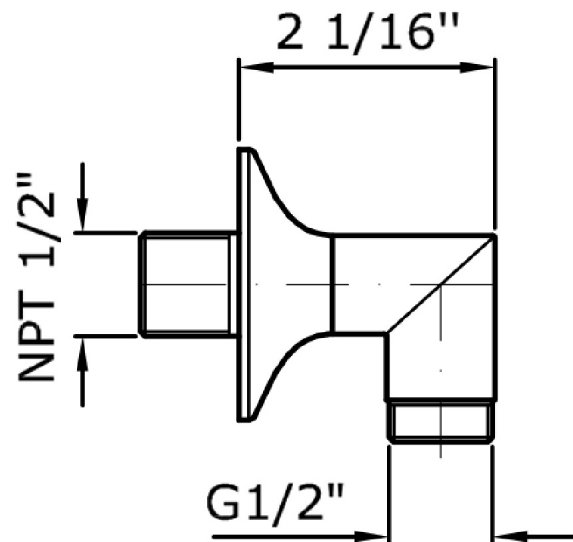
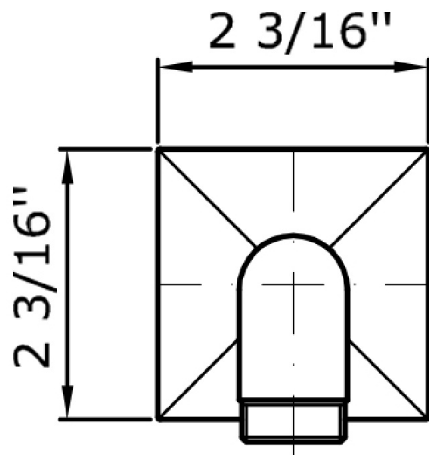


Brushed Gold

C41

## SHOWER

Z93802.1900 Disegno Complessivo / Overall Drawing



## SHOWER

Z93802.1900

Certificazioni / Certifications

USA

IAPMO

## SHOWER

Z93802.1900

Pesi e Misure / Weights and Sizes

Peso ( Kg ) Weight ( lb )	0,38 ( Kg )	0,84 ( lb )
Volume test ( dc3 ) - ( in3 )	0,55 ( dc3 )	33,56 ( in3 )
h ( mm ) - ( in )	70,00 ( mm )	2,76 ( in )
L1 ( mm ) - ( in )	80,00 ( mm )	3,15 ( in )
L2 ( mm ) - ( in )	98,00 ( mm )	3,86 ( in )

