

SHOWER

Z93041.1900 Ceiling mounted shower arm.



Ceiling mounted shower arm, length 5 1/8".

Finiture / Finishes



Chrome



Brushed Nickel

C3



Polished Nickel

C8

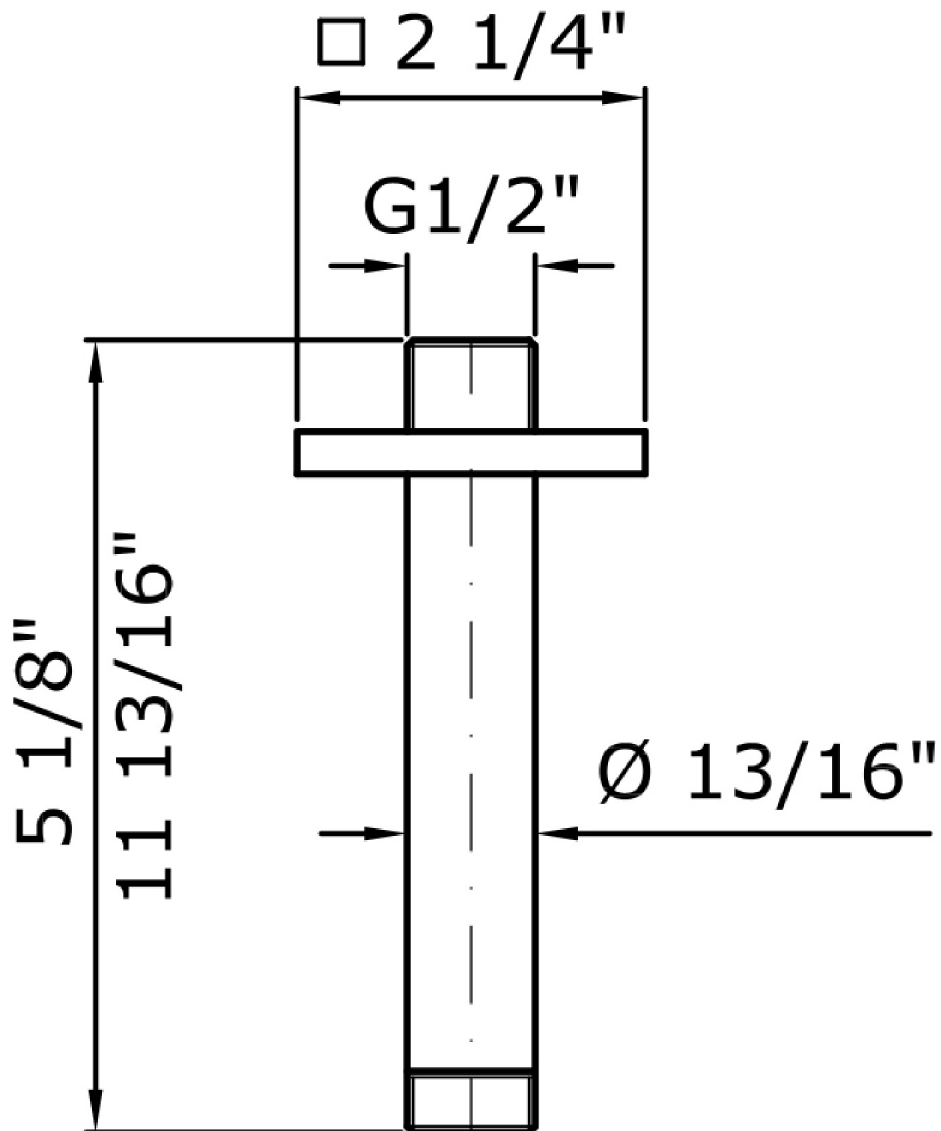


PVD Rose Gold

P70

SHOWER

Z93041.1900 Disegno Complessivo / Overall Drawing



SHOWER

Z93041.1900

Certificazioni / Certifications

USA

IAPMO

SHOWER

Z93041.1900

Pesi e Misure / Weights and Sizes

Peso (Kg) Weight (lb)	0,39 (Kg)	0,86 (lb)
Volume test (dc3) - (in3)	1,01 (dc3)	61,63 (in3)
h (mm) - (in)	70,00 (mm)	2,76 (in)
L1 (mm) - (in)	70,00 (mm)	2,76 (in)
L2 (mm) - (in)	205,00 (mm)	8,07 (in)

