

Brand ZUCCHETTI

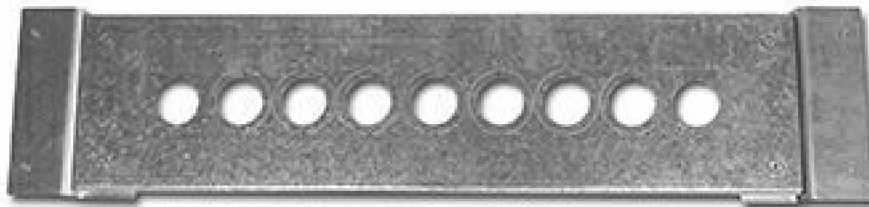
Class

SPARE PARTS

MISCELLANEOUS

R98390

Fixing plate.



Fixing plate. Fixing structure for deck mounted bath mixer.

Finishes



Chrome

Brand ZUCCHETTI

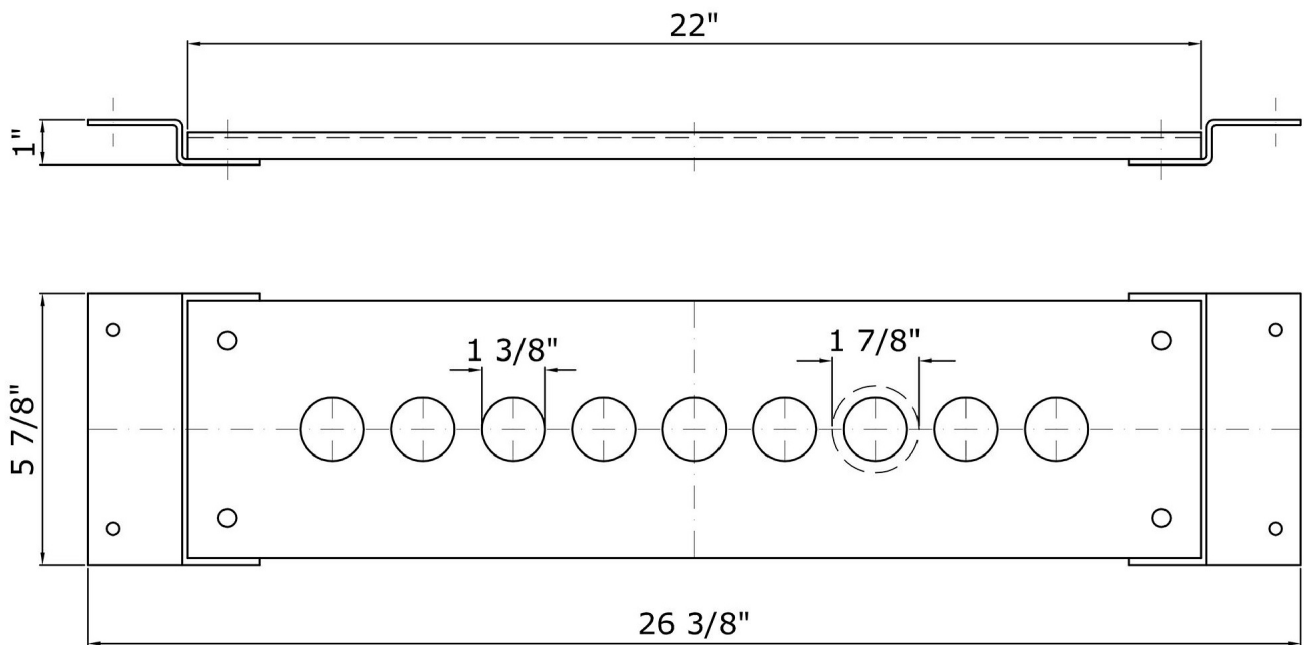
Class

SPARE PARTS

MISCELLANEOUS

R98390

Overall Drawing



Brand ZUCCHETTI

Class

SPARE PARTS

MISCELLANEOUS

R98390

Weights and Sizes

Weight (lb)	3,42 (Kg)	7,539732 (lb)
Volume (dc3) - (in3)	9,75 (dc3)	0,000595 (in3)
h (mm) - (in)	40 (mm)	1,574804 (in)
L1 (mm) - (in)	284 (mm)	11,1811084 (in)
L2 (mm) - (in)	858 (mm)	33,7795458 (in)

