

BI-48 SID/O



**FEATURES**

- Monitor and control remotely with Wi-Fi connectivity

---

- Accepts custom panels for an integrated look within cabinetry or stainless-steel accessory panels and handles to match other Sub-Zero, Wolf, and Cove products

---

- Preserves refrigerated foods with cool, moist air and frozen foods with frigid, dry air

---

- Fight spoilage and odors with a NASA-inspired air purification system

---

- Locks in cold air to ensure freshness with magnetic door seals

---

- Keeps produce fresher with high-humidity, sealed crisper and deli drawers

---

- Controls temperature within one degree of setpoint

---

- Filters water and ice, removing contaminants, chlorine taste, and odor

---

- Delivers fresh, filtered water through an internal dispenser designed to discreetly rest within the refrigerator

---

- Yields ice automatically and "max ice" for additional production

---

- Ensures excellent visibility with bright lights

---

- Refer to freshness cards for tips on food preservation, use, and care

**ACCESSORIES**

- 48" Stainless Steel Kickplate

---

- 90° Door Stop

---

- Air Purification Cartridge

---

- Custom Front Panel Mounting Kit

---

- Custom Side Panel Mounting Kit

---

- Egg Container

---

- Extended Framed Handle Kit

---

- Framed Handle Kit

---

- Framed Louvered Grille Insert

---

- Framed Stainless Steel Front Panels

---

- Framed White Front Panels

---

- Grille Frame - 83"

---

- Grille Frame - 88"

---

- Louvered Grille - 83"

---

- Louvered Grille - 88"

---

- Pro Louvered Flush Inset Grille - 84"

---

- Stainless Steel Flush Inset Freezer Door Panel with Pro Handle

---

- Stainless Steel Flush Inset Freezer Door Panel with Tubular Handle

---

- Stainless Steel Flush Inset Grille Panel

---

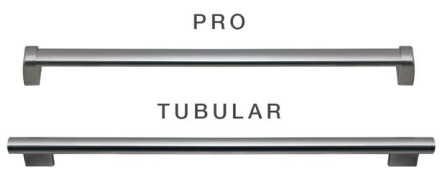
- Stainless Steel Flush Inset Refrigerator Door Panel with Pro Handle

---

- Stainless Steel Flush Inset Refrigerator Door Panel with Tubular Handle



**HANDLE ACCESSORIES**



**PRODUCT DETAILS**

**REFRIGERATOR**

- 1 adjustable dairy compartment
- 1 high-humidity crisper drawer with adjustable dividers
- 2 refrigerator storage drawers with adjustable dividers
- 5 refrigerator door bins (3 adjustable; 2 stationary)
- 5 glass refrigerator shelves (4 adjustable; 1 stationary)
- Internal water dispenser
- LED refrigerator and freezer lights

**FREEZER**

- 3 freezer storage drawers
- 4 wire freezer shelves (3 adjustable; 1 stationary)

Stainless Steel Side Panel

---

Water Filter

---

White Side Panel

Accessories are available through an authorized dealer.  
For local dealer information, visit [subzero-wolf.com/locator](https://www.subzero-wolf.com/locator).

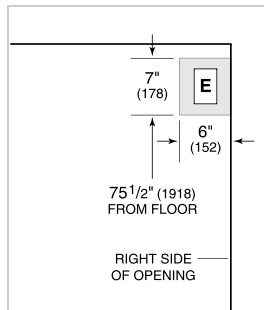
---

Specifications are subject to change without notice. This information was generated on February 11, 2021. Verify specifications prior to finalizing your cabinetry/enclosures.

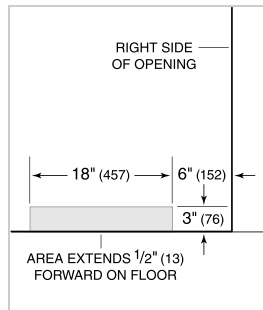
**PRODUCT SPECIFICATIONS**

Model	BI-48SID/O
Dimensions	48"W x 84"H x 24"D
Door Clearance	30"
Weight	656 lbs
Refrigerator Capacity	18.6 cu. ft.
Freezer Capacity	9.6 cu. ft.
Electrical Supply	115 VAC, 60 Hz
Electrical Service	15 amp dedicated circuit
Plumbing Supply	1/4" OD copper, braided stainless steel or PEX tubing
Plumbing Pressure	35–120 psi
Receptacle	3-prong grounding-type

**ELECTRICAL**



**PLUMBING**



**PANEL SPECIFICATIONS** For complete panels specifications including width/height, weight requirements, thickness requirements and offset details visit [subzero-wolf.com/builtinconfigurator](http://subzero-wolf.com/builtinconfigurator).

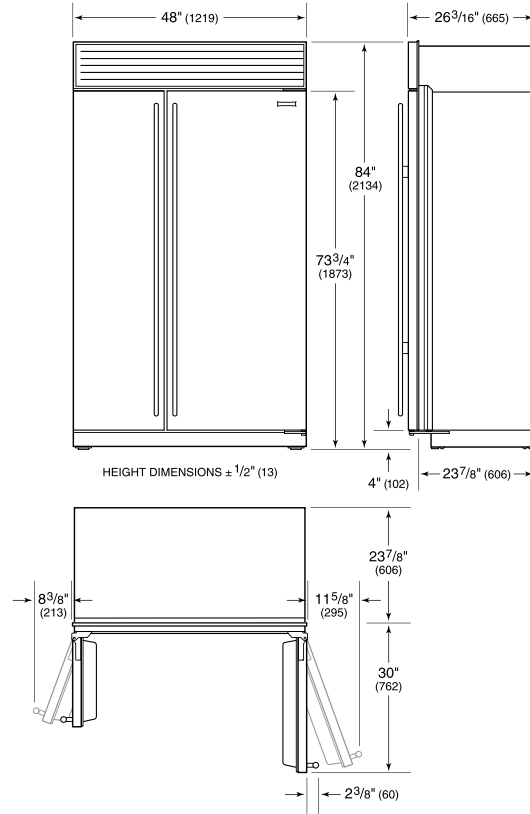
**NOTE:** Dimensions in parenthesis are in millimeters unless otherwise specified

**INTERIOR VIEW**

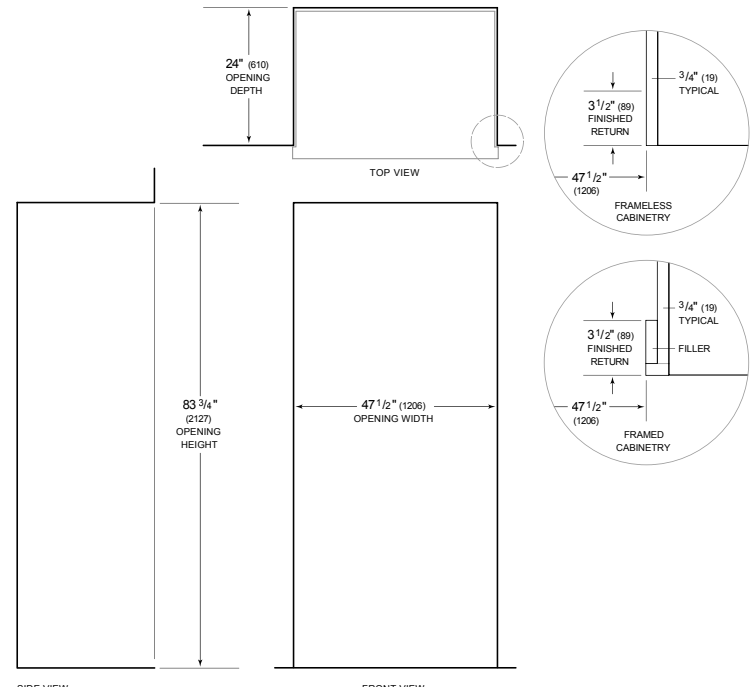


This illustration is intended for interior reference only and may not represent the exterior of the model being specified.

**DIMENSIONS**



**STANDARD INSTALLATION**



**NOTE:** 3 1/2" (89) finished returns will be visible and should be finished to match cabinetry. Shaded line represents profile of unit.