



New Classic Series Refrigeration/Wine Storage *Design Guide*

REVISED 3/2022



Contents

3	New Classic Series Models
4	Classic Series Design Options
6	Overall Dimensions
12	Opening Dimensions
16	Electrical Requirements
16	Plumbing Requirements
17	Custom Panels
18	Overlay Panels
22	Flush Inset Panels
26	Dual Installation
29	Standard Handles
29	Full-Scale Templates
35	Warranty



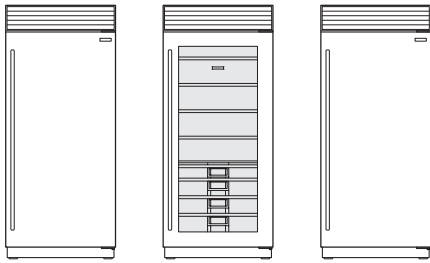
Features and specifications are subject to change at any time without notice. Visit subzero.com/specs for the most up-to-date information.

Throughout this guide, dimensions may vary by $\pm 1/8$ " (3). Dimensions in parentheses are millimeters unless otherwise specified.

New Classic Series Models

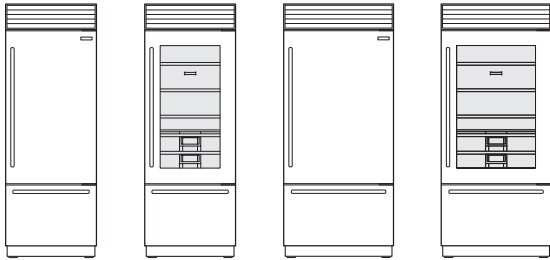
For the new Classic Series refrigeration, Sub-Zero designers and engineers took a fresh look at everything, inside and out. Exterior refinements include redesigned grilles and lower-profile hinges. Inside, new technology in food preservation makes the new Classic Series refrigeration nothing short of revolutionary.

ALL REFRIGERATOR / ALL FREEZER MODELS

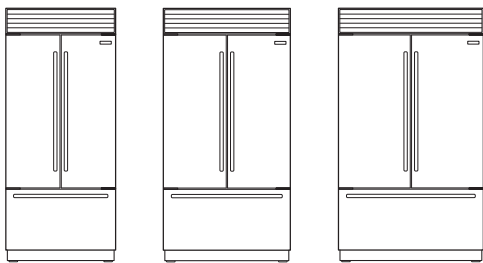


CL3650R(ID) CL3650RG CL3650F

OVER-AND-UNDER MODELS

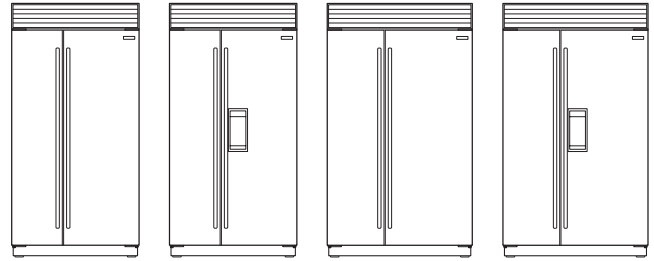


CL3050U(ID) CL3050UG CL3650U(ID) CL3650UG



CL3650UFD(ID) CL4250UFD(ID) CL4850UFD(ID)

SIDE-BY-SIDE MODELS



CL4250S(ID) CL4250SD CL4850S(ID) CL4850SD

WINE STORAGE MODEL



CL3050W

Classic Series Design Options

OVERLAY

Custom overlay door panels can be combined with unique handle hardware for design flexibility. Shown with the pro handle option to complement Wolf ranges. Customize with panel, grille, and handle options.

Panels: Custom panels or stainless steel.

Grille: Solid custom panel or pro louvered grille for 84" overall unit height. Dual wide grille for dual installations.

Handles: Custom, tubular, or pro handles.

FLUSH INSET

The flush inset design option allows for flush door and grille panels and custom handle hardware. The flush inset application is an overlay model with flush inset panels. Customize with panel, grille, and handle options.

Panels: Custom panels or stainless steel.

Grille: Solid custom panel or pro louvered grille for 84" overall unit height. Dual wide grille for dual installations.

Handles: Custom, tubular, or pro handles.



Overlay



Flush inset

Classic Series Design Options

STAINLESS STEEL

Stainless steel models require no customization. Grille and handle options are available.

Grille: Pro louvered grille for 84" overall unit height. Dual wide grille for dual installations.

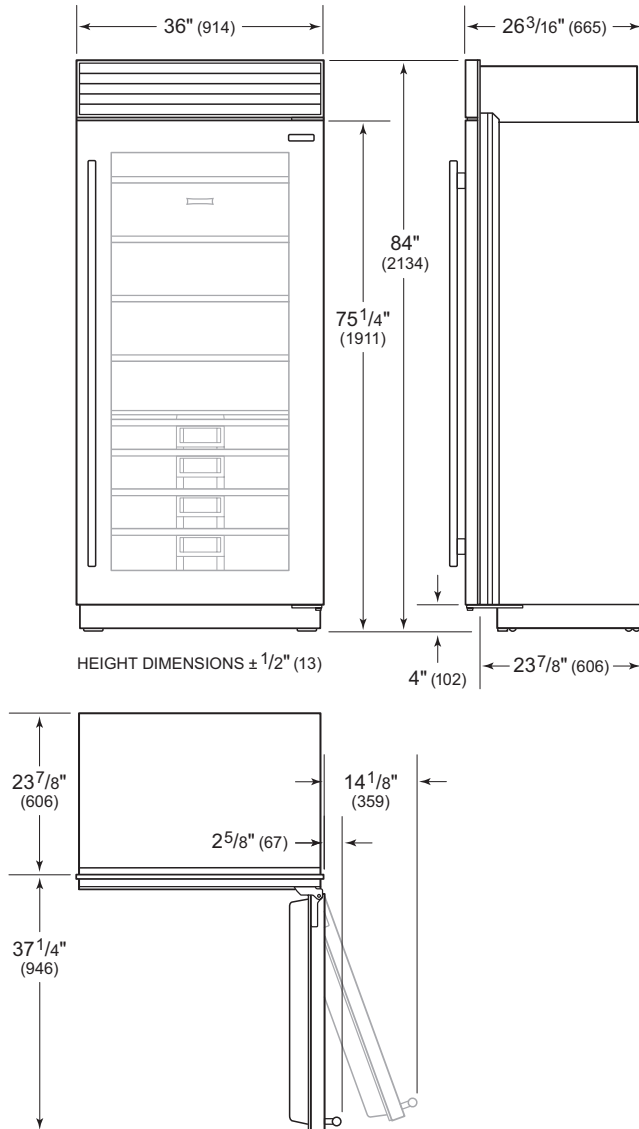
Handles: Tubular or pro handles.



Stainless steel

Overall Dimensions

ALL REFRIGERATOR / ALL FREEZER

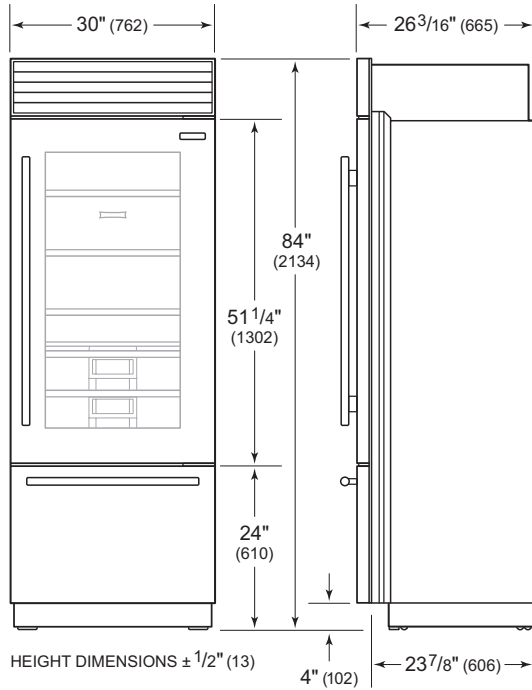


Model CL3650R(ID), CL3650RG, CL3650F

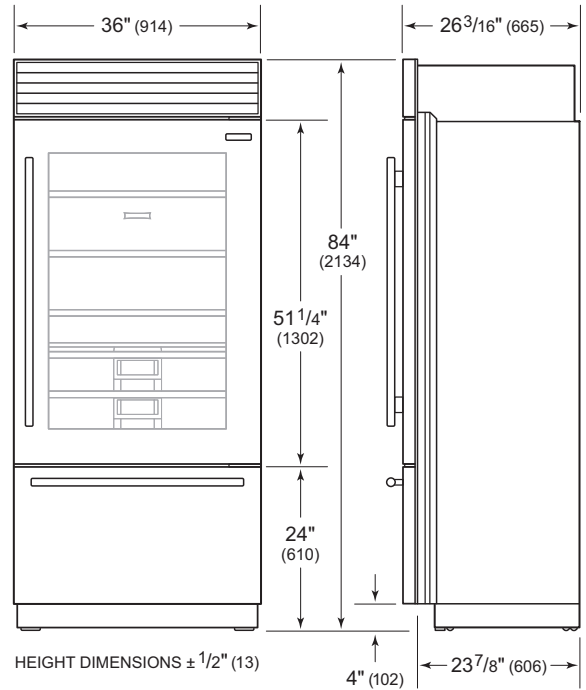
Overall dimensions are based on stainless steel models.
For flush inset applications, add 1/2" (13) to door clearance dimensions.

Overall Dimensions

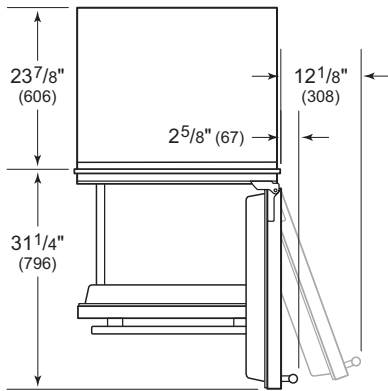
OVER-AND-UNDER



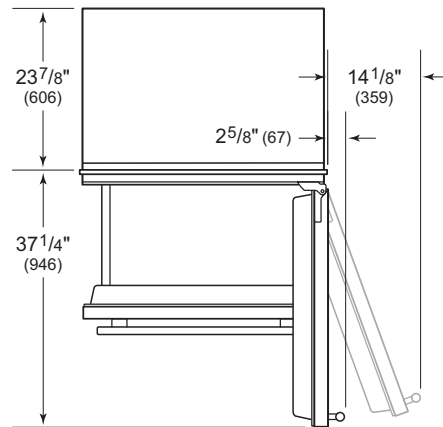
HEIGHT DIMENSIONS ± 1/2" (13)



HEIGHT DIMENSIONS ± 1/2" (13)



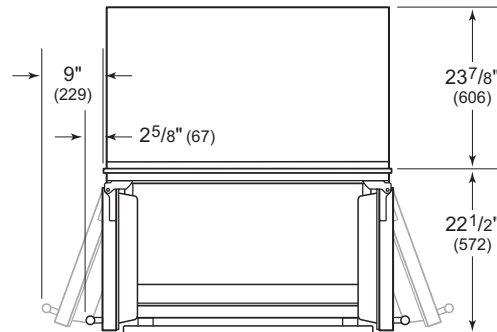
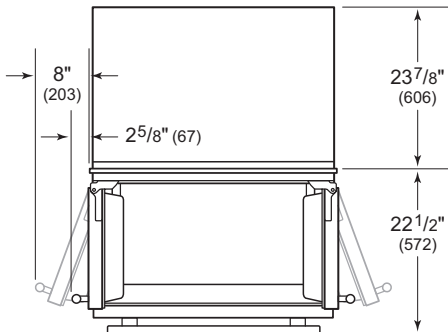
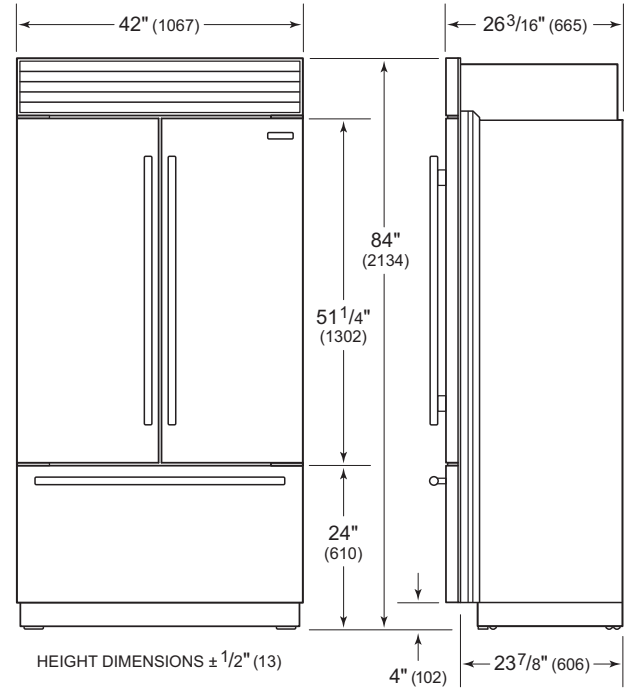
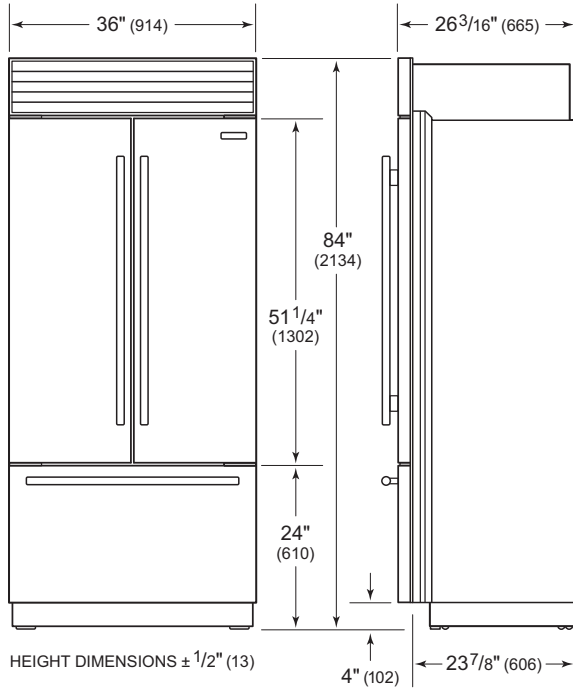
Model CL3050U(ID), CL3050UG



Model CL3650U(ID), CL3650UG

Overall Dimensions

OVER-AND-UNDER

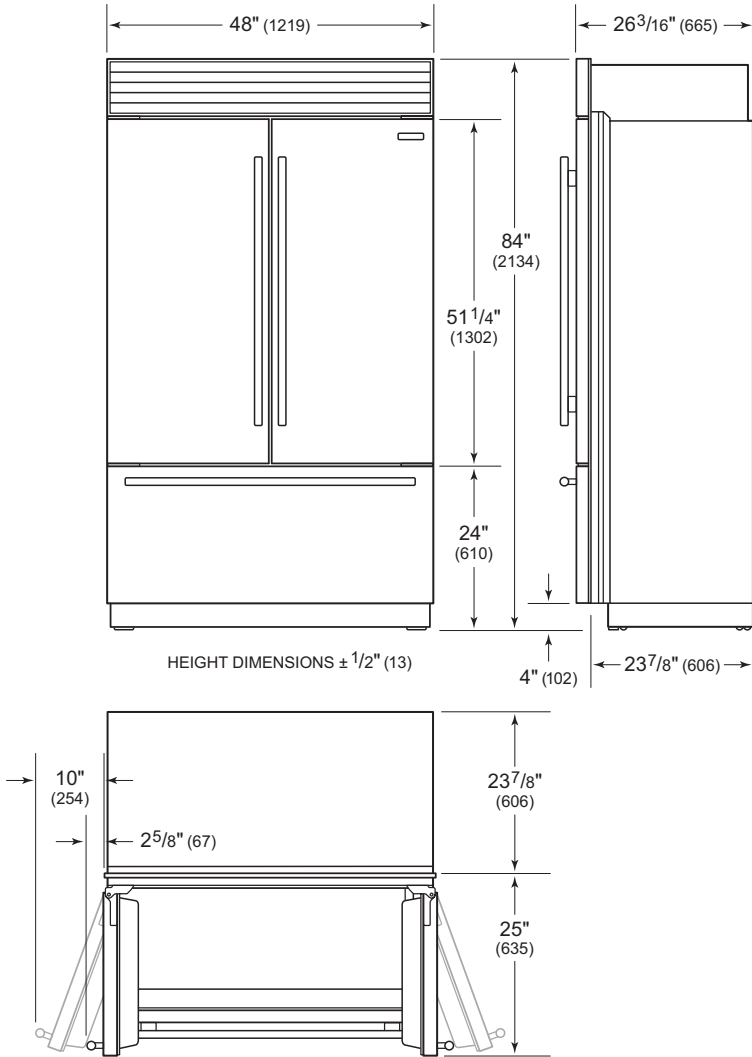


Model CL3650UFD(ID)

Model CL4250UFD(ID)

Overall Dimensions

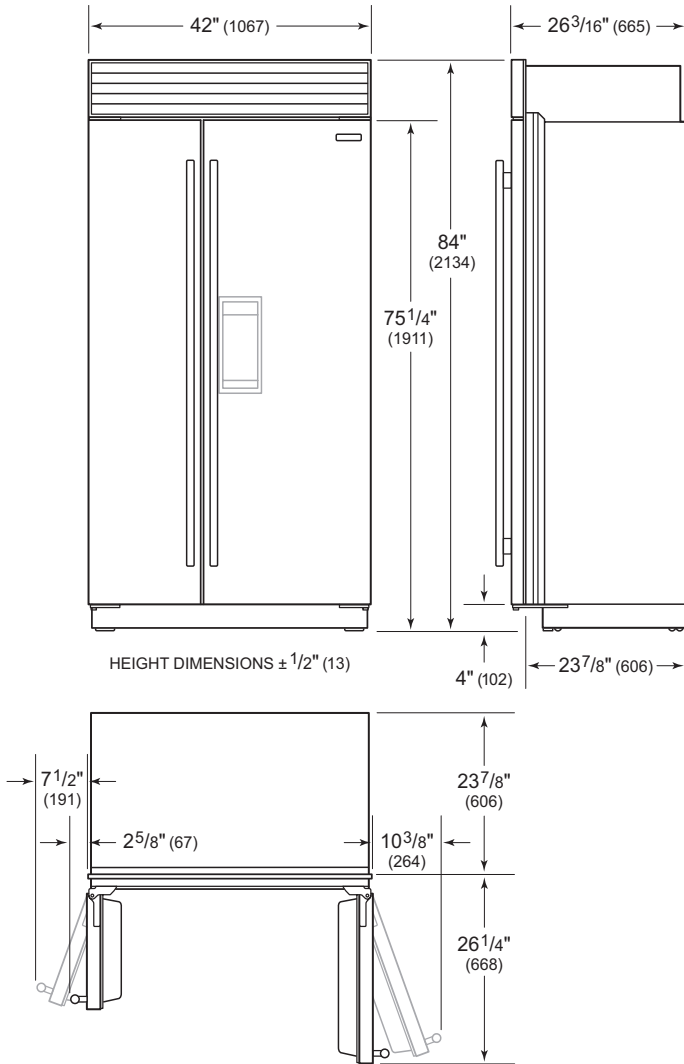
OVER-AND-UNDER



Model CL4850UFD(ID)

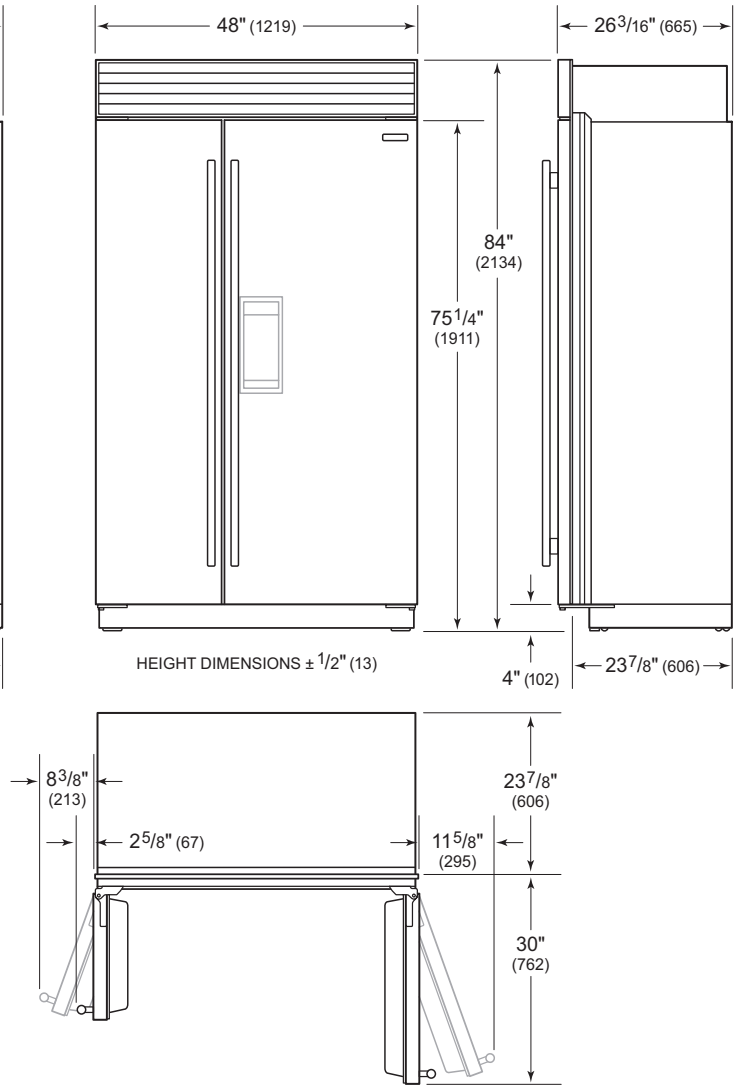
Overall Dimensions

SIDE-BY-SIDE



Model CL4250S(ID), CL4250SD

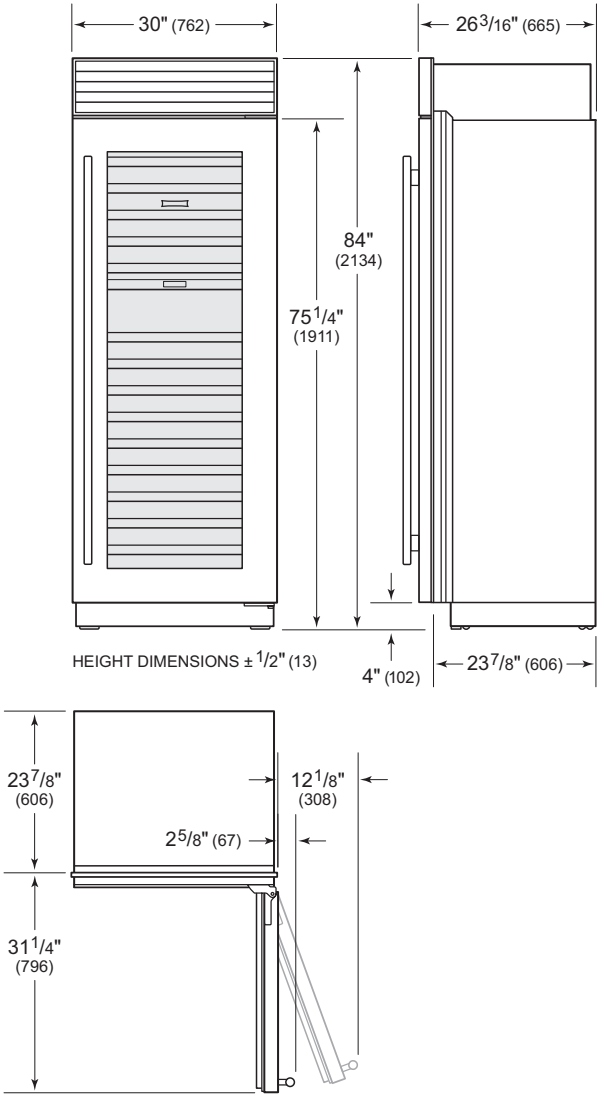
SIDE-BY-SIDE



Model CL4850S(ID), CL4850SD

Overall Dimensions

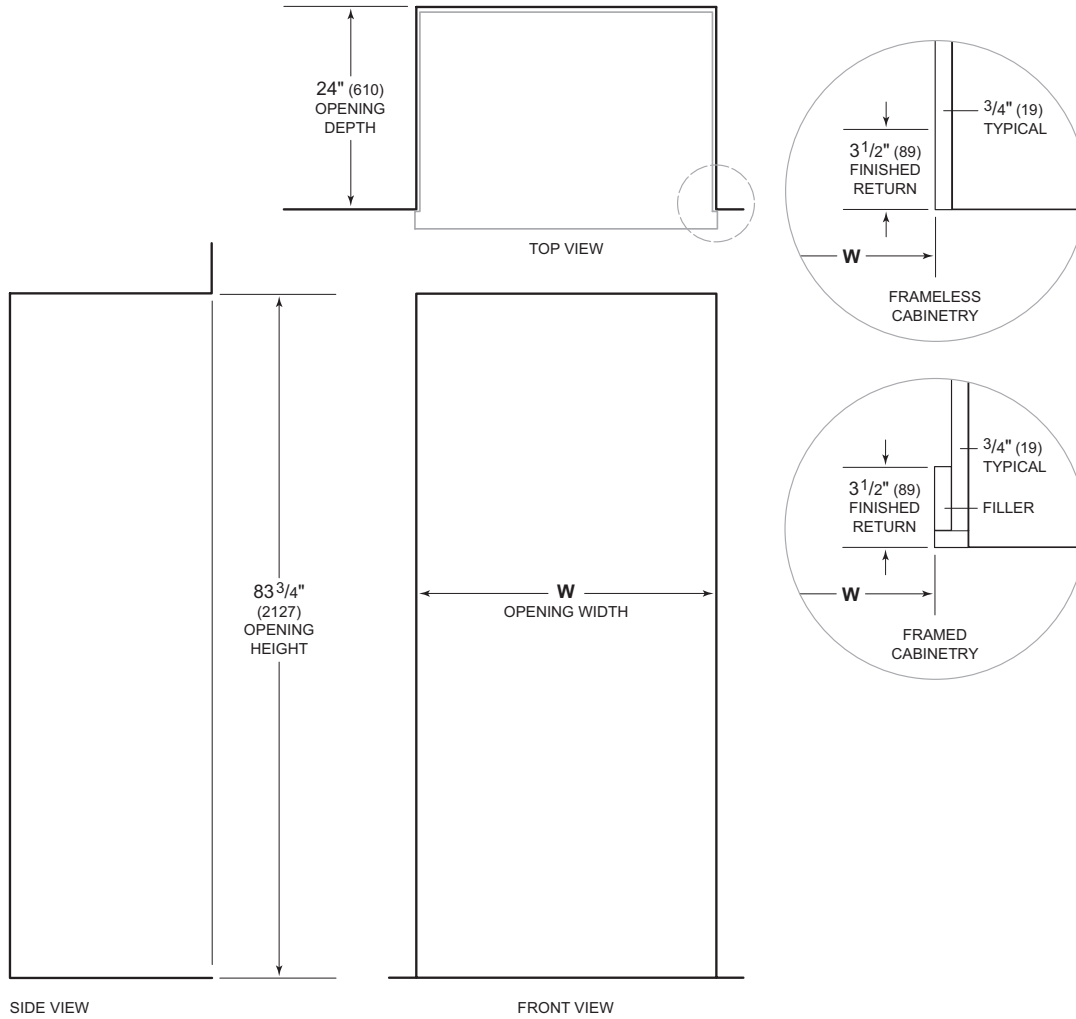
WINE STORAGE



Model CL3050W

Opening Dimensions

STANDARD INSTALLATION



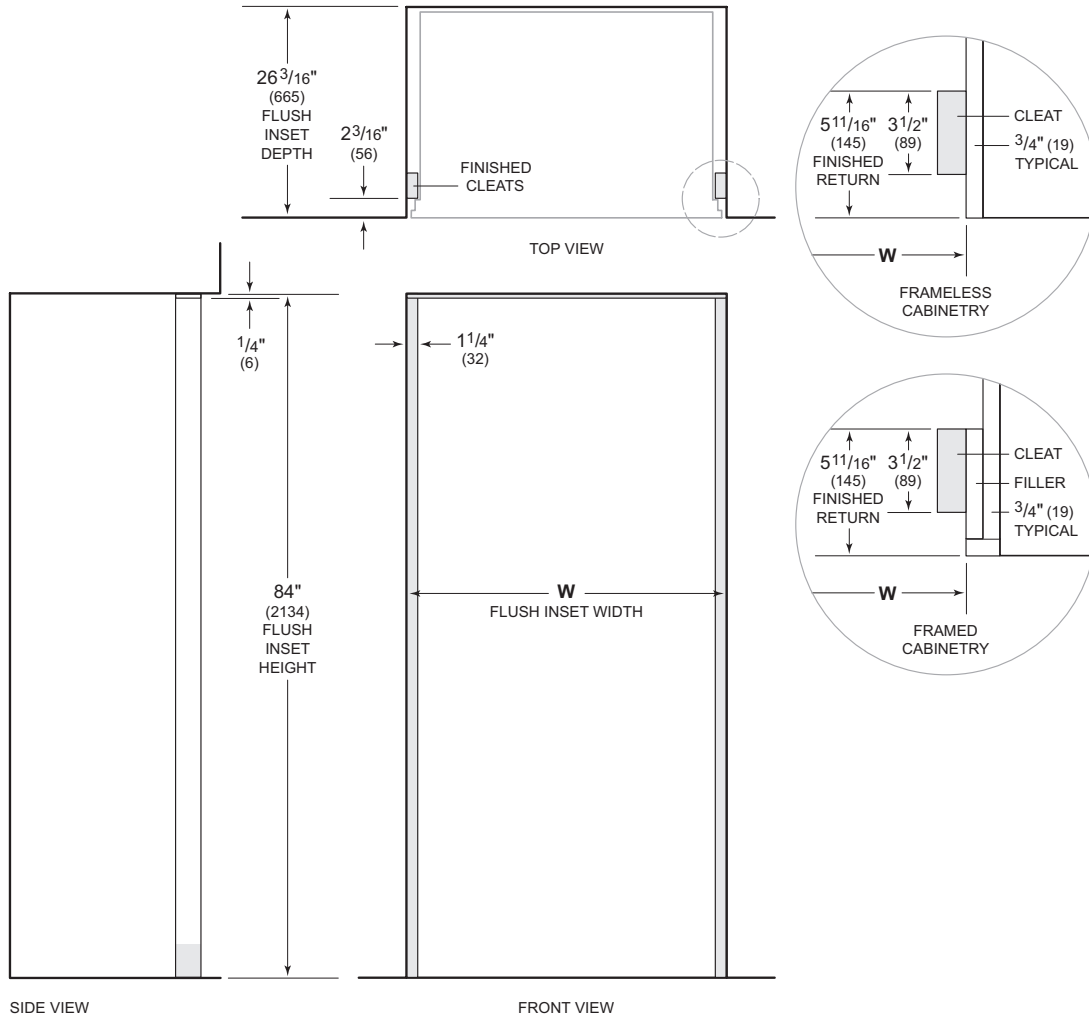
NOTE: 3 1/2" (89) finished returns will be visible and should be finished to match cabinetry. Shaded line represents profile of unit.

OPENING WIDTH	W
30" Model	29 1/2" (749)
36" Model	35 1/2" (902)
42" Model	41 1/2" (1054)
48" Model	47 1/2" (1206)

If two units are installed side by side, refer to page 14 for dual standard installations.

Opening Dimensions

FLUSH INSET INSTALLATION



NOTE: $3\frac{1}{2}"$ (89) finished returns and shaded areas will be visible and should be finished to match cabinetry. Shaded line represents profile of unit with $\frac{3}{4}"$ (19) panel.

FLUSH INSET WIDTH

	W
30" Model	32" (813)
36" Model	38" (965)
42" Model	44" (1118)
48" Model	50" (1270)

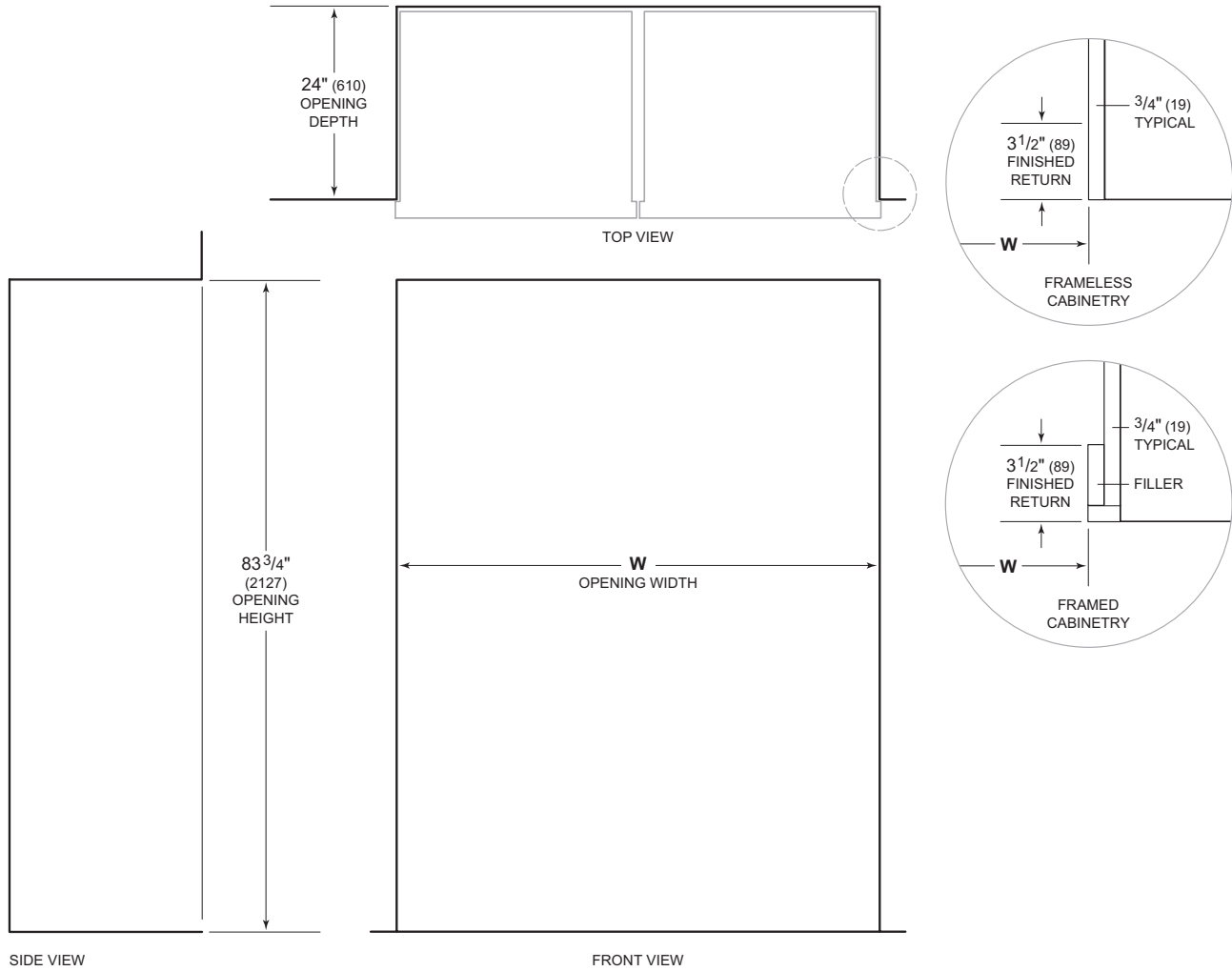
Flush inset is available for overlay models only.

Dimensions assume a $\frac{3}{4}"$ (19) panel thickness.

If two units are installed side by side, refer to page 15 for dual flush inset installations.

Opening Dimensions

DUAL STANDARD INSTALLATION



NOTE: 3 1/2" (89) finished returns will be visible and should be finished to match cabinetry. Shaded line represents profile of unit.

DUAL OPENING WIDTH

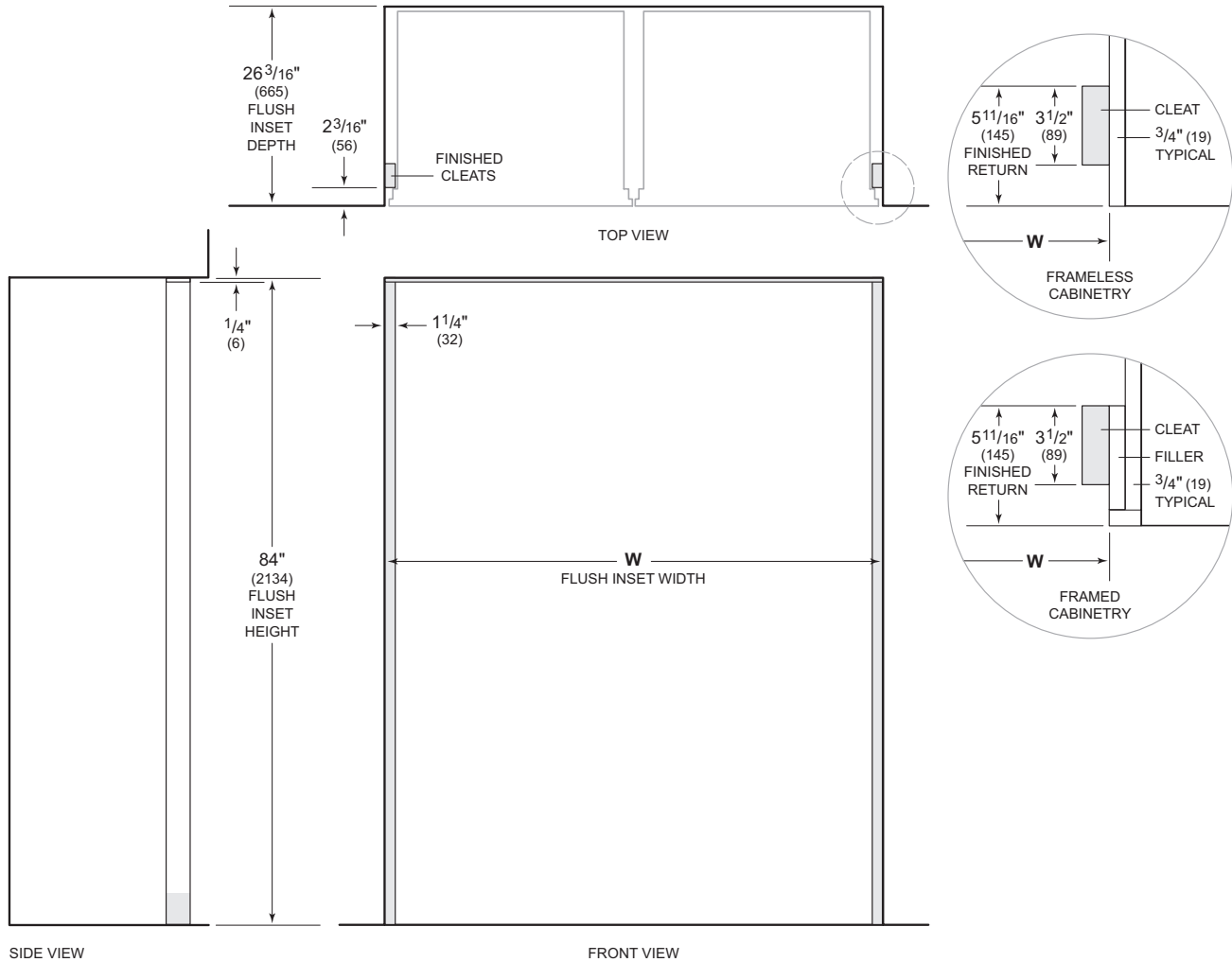
W

Two 30" Models	59 3/4" (1518)
30" and 36" Models	65 3/4" (1670)
Two 36" Models	71 3/4" (1822)

A dual installation kit is required for this installation.

Opening Dimensions

DUAL FLUSH INSET INSTALLATION



NOTE: $3\frac{1}{2}$ " (89) finished returns and shaded areas will be visible and should be finished to match cabinetry. Shaded line represents profile of unit with $\frac{3}{4}$ " (19) panel.

DUAL FLUSH INSET WIDTH

W

Two 30" Models	$62\frac{1}{4}$ " (1581)
30" and 36" Models	$68\frac{1}{4}$ " (1734)
Two 36" Models	$74\frac{1}{4}$ " (1886)

Flush inset is available for overlay models only.

Dimensions assume a $\frac{3}{4}$ " (19) panel thickness. A dual installation kit is required for this installation.

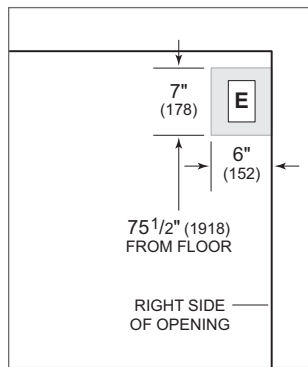
Electrical Requirements

The electrical supply should be located within the shaded area shown in the illustration below. A separate circuit servicing only this appliance is required. A ground fault circuit interrupter (GFCI) is not recommended and may cause interruption of operation.

Installation must comply with all applicable electrical codes.

ELECTRICAL REQUIREMENTS

Electrical Supply	115 VAC, 60 Hz
Service	15 amp dedicated circuit
Receptacle	3-prong grounding-type



Electrical supply location

Plumbing Requirements

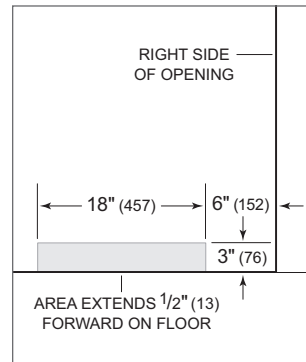
The water supply line should be located within the shaded area shown in the illustration below. The water supply line should be connected to the house supply with an easily accessible shut-off valve. Do not use self-piercing valves. The water supply line must not interfere with the installation of the anti-tip brackets.

A reverse osmosis system can be used provided there is constant water pressure of 35–120 psi (2.4–8.3 bar) supplied to the unit at all times. A copper line is not recommended for this application.

Installation must comply with all applicable plumbing codes.

PLUMBING REQUIREMENTS

Water Supply	1/4" OD copper, braided stainless steel, or PEX tubing
Pressure	35–120 psi (2.4–8.3 bar)
Excess Line for Connection	36" (914)



Water supply location

Custom Panels

For overlay and flush inset applications, custom door panels must be provided. Handle hardware must also be provided for overlay and flush inset applications. Refer to Panel Requirements below and the charts on the following pages for custom panel dimensions for your specific design application.

IMPORTANT NOTE: Do not cover a glass door with a solid panel.

Finish all sides of the custom panels. They may be visible when the door is open or through the window of glass door models.

PANEL REQUIREMENTS

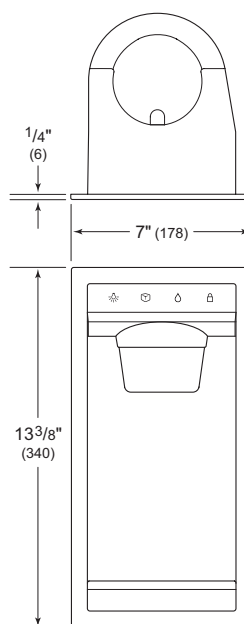
WEIGHT PER PANEL	MAX
CL3650R(ID), CL3650RG, CL3650F, CL3050W	75 lb (34 kg)
All Other Models	50 lb (23 kg)
Grille Panel	13 lb (6 kg)
Panel Thickness	$\frac{3}{4}$ " (19)

PANEL MOUNTING KIT

The Sub-Zero custom panel mounting kit eliminates the need for the backer and spacer panels and is available through an authorized Sub-Zero dealer. For local dealer information, visit the find a showroom section of our website, subzero.com. The kit consists of mounting cleats, screws, and gauges used to properly position the cleats. The kit is available for all Classic Series models except glass door models. Dual installations require two mounting kits.

ICE AND WATER DISPENSER

For models CL4250SD and CL4850SD, the refrigerator door panel must include a cutout to accommodate the external dispenser. The bezel will accommodate a minimum $\frac{3}{4}$ " (19) thick panel. Panels thicker than $\frac{3}{4}$ " (19) must be routed to $\frac{3}{4}$ " (22) in the dispenser area ($1\frac{1}{8}$ " (29) including the backer and spacer panels).

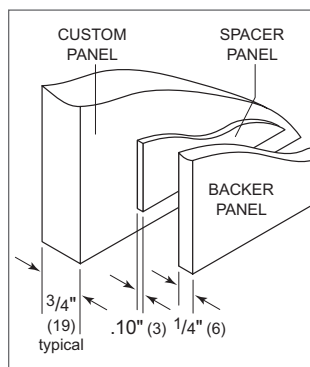


Dispenser dimensions

Overlay Panels

Overlay panels are typically created by combining a 3/4" (19) custom panel, a .10" (3) spacer panel, and a 1/4" (6) backer panel. Refer to the illustration below.

When installing two units side by side, refer to page 14 for dual standard installations.



Panel assembly (rear view)

PANEL OFFSET

The illustrations on the following page provide panel offsets and reveals for Classic Series models in an overlay application. Refer to the chart below for reference to the illustrations.

PANEL OFFSET

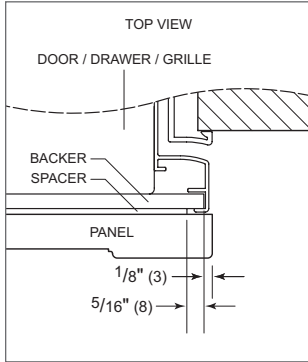
ALL REFRIGERATOR / ALL FREEZER / WINE STORAGE	ILLUS
Door / Grille Sides	A
Doors (handle) Sides*	B
Grille Top	C
Grille Bottom / Door Top	D
Door Bottom	F

OVER-AND-UNDER	ILLUS
Door (hinge) / Drawer / Grille Sides	A
Doors (handle) Sides*	B
Grille Top	C
Grille Bottom / Door Top	D
Door Bottom / Drawer Top	E
Drawer Bottom	F

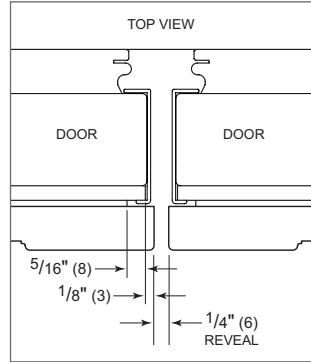
SIDE-BY-SIDE	ILLUS
Doors (hinge) / Grille Sides	A
Doors (handle) Sides	B
Grille Top	C
Grille Bottom / Door Top	D
Door Bottom	F

*French door and dual installation only.

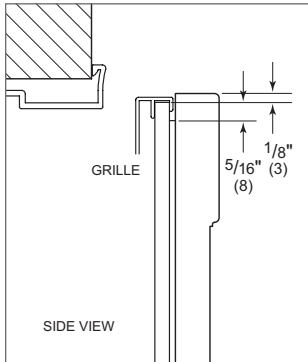
Overlay Panels



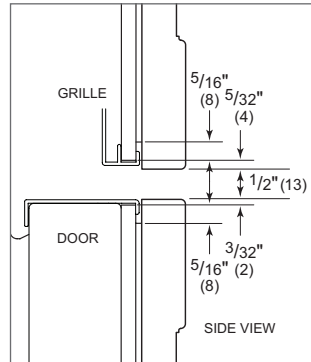
Illus. A



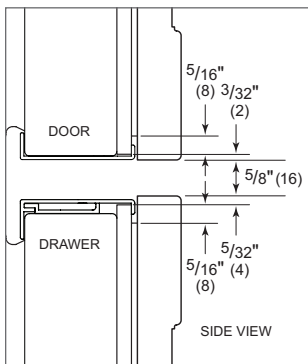
Illus. B



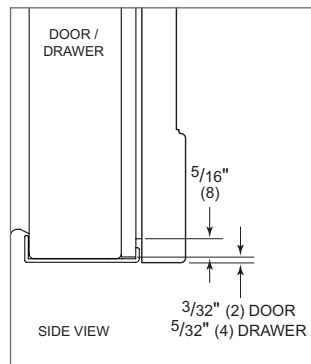
Illus. C



Illus. D

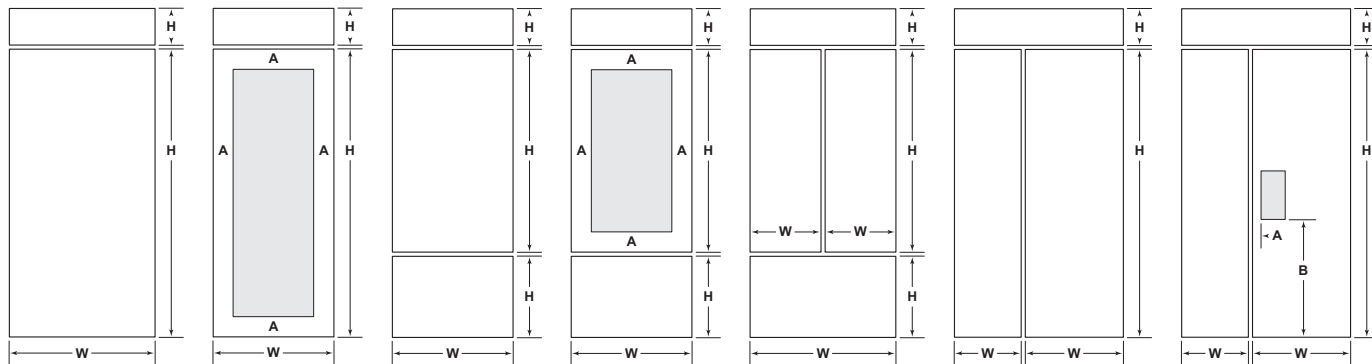


Illus. E



Illus. F

Overlay Panel Dimensions



CL3650R(ID),
CL3650F

CL3650RG,
CL3050W

CL3050U(ID),
CL3650U(ID)

CL3050UG,
CL3650UG

CL3650UFD(ID),
CL4250UFD(ID),
CL4850UFD(ID)

CL4250S(ID),
CL4850S(ID)

CL4250SD,
CL4850SD

MODEL CL3650R(ID), CL3650RG, CL3650F

REFRIGERATOR / FREEZER	W	H
Overlay Panel	36" (914)	71 ¹ / ₄ " (1810)
Spacer Panel	35 ¹ / ₈ " (892)	70 ⁷ / ₁₆ " (1789)
Backer Panel	35 ³ / ₄ " (908)	71 ¹ / ₁₆ " (1805)

GRILLE	W	H
Overlay Panel	36" (914)	7 ³ / ₄ " (197)*
Spacer Panel	35 ¹ / ₈ " (892)	6 ¹³ / ₁₆ " (173)
Backer Panel	35 ³ / ₄ " (908)	7 ⁷ / ₁₆ " (189)

CL3650RG	A
Stiles / Rails	5 ¹ / ₄ " (133)

MODEL CL3050W

WINE STORAGE	W	H
Overlay Panel	30" (762)	71 ¹ / ₄ " (1810)
Spacer Panel	29 ¹ / ₈ " (740)	70 ⁷ / ₁₆ " (1789)
Backer Panel	29 ³ / ₄ " (756)	71 ¹ / ₁₆ " (1805)

GRILLE	W	H
Overlay Panel	30" (762)	7 ³ / ₄ " (197)*
Spacer Panel	29 ¹ / ₈ " (740)	6 ¹³ / ₁₆ " (173)
Backer Panel	29 ³ / ₄ " (756)	7 ⁷ / ₁₆ " (189)

CL3050W	A
Stiles / Rails	5 ¹ / ₄ " (133)

*Panel height may be increased by 7¹/₁₆" (11) to hide upper main frame.

MODEL CL3050U(ID), CL3050UG

REFRIGERATOR	W	H
Overlay Panel	30" (762)	50 ⁵ / ₈ " (1286)
Spacer Panel	29 ¹ / ₈ " (740)	49 ¹³ / ₁₆ " (1265)
Backer Panel	29 ³ / ₄ " (756)	50 ⁷ / ₁₆ " (1281)

FREEZER	W	H
Overlay Panel	30" (762)	20" (508)
Spacer Panel	29 ¹ / ₈ " (740)	19 ¹ / ₁₆ " (484)
Backer Panel	29 ³ / ₄ " (756)	19 ¹¹ / ₁₆ " (500)

GRILLE	W	H
Overlay Panel	30" (762)	7 ³ / ₄ " (197)*
Spacer Panel	29 ¹ / ₈ " (740)	6 ¹³ / ₁₆ " (173)
Backer Panel	29 ³ / ₄ " (756)	7 ⁷ / ₁₆ " (189)

CL3050UG	A
Stiles / Rails	5 ¹ / ₄ " (133)

MODEL CL3650U(ID), CL3650UG

REFRIGERATOR	W	H
Overlay Panel	36" (914)	50 ⁵ / ₈ " (1286)
Spacer Panel	35 ¹ / ₈ " (892)	49 ¹³ / ₁₆ " (1265)
Backer Panel	35 ³ / ₄ " (908)	50 ⁷ / ₁₆ " (1281)

FREEZER	W	H
Overlay Panel	36" (914)	20" (508)
Spacer Panel	35 ¹ / ₈ " (892)	19 ¹ / ₁₆ " (484)
Backer Panel	35 ³ / ₄ " (908)	19 ¹¹ / ₁₆ " (500)

GRILLE	W	H
Overlay Panel	36" (914)	7 ³ / ₄ " (197)*
Spacer Panel	35 ¹ / ₈ " (892)	6 ¹³ / ₁₆ " (173)
Backer Panel	35 ³ / ₄ " (908)	7 ⁷ / ₁₆ " (189)

CL3650UG	A
Stiles / Rails	5 ¹ / ₄ " (133)

Overlay Panel Dimensions

MODEL CL3650UFD(ID)

REFRIGERATOR (2 PANELS)		W	H
Overlay Panel	17 ⁷ / ₈ " (454)	50 ⁵ / ₈ " (1286)	
Spacer Panel	17" (432)	49 ¹³ / ₁₆ " (1265)	
Backer Panel	17 ⁵ / ₈ " (448)	50 ⁷ / ₁₆ " (1281)	
FREEZER		W	H
Overlay Panel	36" (914)	20" (508)	
Spacer Panel	35 ¹ / ₈ " (892)	19 ¹ / ₁₆ " (484)	
Backer Panel	35 ³ / ₄ " (908)	19 ¹¹ / ₁₆ " (500)	
GRILLE		W	H
Overlay Panel	36" (914)	7 ³ / ₄ " (197)*	
Spacer Panel	35 ¹ / ₈ " (892)	6 ¹³ / ₁₆ " (173)	
Backer Panel	35 ³ / ₄ " (908)	7 ⁷ / ₁₆ " (189)	

MODEL CL4250UFD(ID)

REFRIGERATOR (2 PANELS)		W	H
Overlay Panel	20 ⁷ / ₈ " (530)	50 ⁵ / ₈ " (1286)	
Spacer Panel	20" (508)	49 ¹³ / ₁₆ " (1265)	
Backer Panel	20 ⁵ / ₈ " (524)	50 ⁷ / ₁₆ " (1281)	
FREEZER		W	H
Overlay Panel	42" (1067)	20" (508)	
Spacer Panel	41 ¹ / ₈ " (1045)	19 ¹ / ₁₆ " (484)	
Backer Panel	41 ³ / ₄ " (1060)	19 ¹¹ / ₁₆ " (500)	
GRILLE		W	H
Overlay Panel	42" (1067)	7 ³ / ₄ " (197)*	
Spacer Panel	41 ¹ / ₈ " (1045)	6 ¹³ / ₁₆ " (173)	
Backer Panel	41 ³ / ₄ " (1060)	7 ⁷ / ₁₆ " (189)	

MODEL CL4850UFD(ID)

REFRIGERATOR (2 PANELS)		W	H
Overlay Panel	23 ⁷ / ₈ " (606)	50 ⁵ / ₈ " (1286)	
Spacer Panel	23" (584)	49 ¹³ / ₁₆ " (1265)	
Backer Panel	23 ⁵ / ₈ " (600)	50 ⁷ / ₁₆ " (1281)	
FREEZER		W	H
Overlay Panel	48" (1219)	20" (508)	
Spacer Panel	47 ¹ / ₈ " (1197)	19 ¹ / ₁₆ " (484)	
Backer Panel	47 ³ / ₄ " (1213)	19 ¹¹ / ₁₆ " (500)	
GRILLE		W	H
Overlay Panel	48" (1219)	7 ³ / ₄ " (197)*	
Spacer Panel	47 ¹ / ₈ " (1197)	6 ¹³ / ₁₆ " (173)	
Backer Panel	47 ³ / ₄ " (1213)	7 ⁷ / ₁₆ " (189)	

MODEL CL4250S(ID), CL4250SD

REFRIGERATOR		W	H
Overlay Panel	25 ¹ / ₁₆ " (637)	71 ¹ / ₄ " (1810)	
Spacer Panel	24 ³ / ₁₆ " (614)	70 ⁷ / ₁₆ " (1789)	
Backer Panel	24 ¹³ / ₁₆ " (630)	71 ¹ / ₁₆ " (1805)	
FREEZER		W	H
Overlay Panel	16 ¹¹ / ₁₆ " (424)	71 ¹ / ₄ " (1810)	
Spacer Panel	15 ¹³ / ₁₆ " (402)	70 ⁷ / ₁₆ " (1789)	
Backer Panel	16 ⁷ / ₁₆ " (418)	71 ¹ / ₁₆ " (1805)	
GRILLE		W	H
Overlay Panel	42" (1067)	7 ³ / ₄ " (197)*	
Spacer Panel	41 ¹ / ₈ " (1045)	6 ¹³ / ₁₆ " (173)	
Backer Panel	41 ³ / ₄ " (1060)	7 ⁷ / ₁₆ " (189)	
CL4250SD		W	H
Dispenser Cutout	6 ³ / ₈ " (162)	13" (330)	
	A	B	
Cutout Location	2 ¹ / ₈ " (54)	32 ³ / ₄ " (832)	

MODEL CL4850S(ID), CL4850SD

REFRIGERATOR		W	H
Overlay Panel	28 ³ / ₄ " (730)	71 ¹ / ₄ " (1810)	
Spacer Panel	27 ⁷ / ₈ " (708)	70 ⁷ / ₁₆ " (1789)	
Backer Panel	28 ¹ / ₂ " (724)	71 ¹ / ₁₆ " (1805)	
FREEZER		W	H
Overlay Panel	19" (483)	71 ¹ / ₄ " (1810)	
Spacer Panel	18 ³ / ₈ " (460)	70 ⁷ / ₁₆ " (1789)	
Backer Panel	18 ³ / ₄ " (476)	71 ¹ / ₁₆ " (1805)	
GRILLE		W	H
Overlay Panel	48" (1219)	7 ³ / ₄ " (197)*	
Spacer Panel	47 ¹ / ₈ " (1197)	6 ¹³ / ₁₆ " (173)	
Backer Panel	47 ³ / ₄ " (1213)	7 ⁷ / ₁₆ " (189)	
CL4850SD		W	H
Dispenser Cutout	6 ³ / ₈ " (162)	13" (330)	
	A	B	
Cutout Location	2 ¹ / ₈ " (54)	32 ³ / ₄ " (832)	

*Panel height may be increased by ⁷/₁₆" (11) to hide upper main frame.

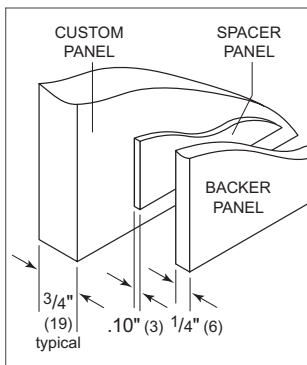
Flush Inset Panels

The flush inset application is an overlay model with flush inset panels. It is not a separate model.

The flush inset design allows custom panels to be installed flush with adjacent cabinets. Similar to overlay, flush inset panels are typically created by combining a $\frac{3}{4}$ " (19) custom panel, a .10" (3) spacer panel, and a $\frac{1}{4}$ " (6) backer panel. Refer to the illustration below.

For flush inset panels thicker than $\frac{3}{4}$ " (19), a 90° door stop may be required to prevent interference with adjacent cabinets. Refer to the full-scale templates at the end of this guide.

When installing two units side by side, refer to page 15 for dual flush inset installations.



Panel assembly (rear view)

PANEL OFFSET

The illustrations on the following page provide panel offsets and reveals for Classic Series models in a flush inset application. Refer to the chart below for reference to the illustrations.

PANEL OFFSET

ALL REFRIGERATOR / ALL FREEZER / WINE STORAGE	ILLUS
Door / Grille Sides	A
Doors (handle) Sides*	B
Grille Top	C
Grille Bottom / Door Top	D
Door Bottom	F

OVER-AND-UNDER

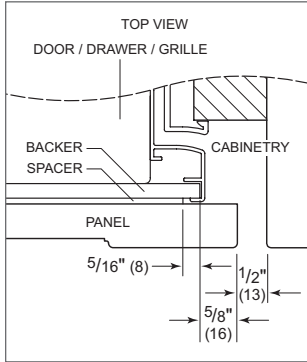
OVER-AND-UNDER	ILLUS
Door (hinge) / Drawer / Grille Sides	A
Doors (handle) Sides*	B
Grille Top	C
Grille Bottom / Door Top	D
Door Bottom / Drawer Top	E
Drawer Bottom	F

SIDE-BY-SIDE

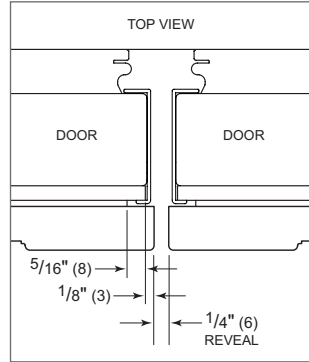
SIDE-BY-SIDE	ILLUS
Doors (hinge) / Grille Sides	A
Doors (handle) Sides	B
Grille Top	C
Grille Bottom / Door Top	D
Door Bottom	F

*French door and dual installation only.

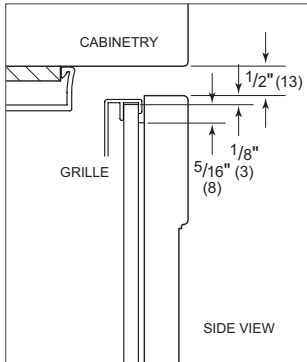
Flush Inset Panels



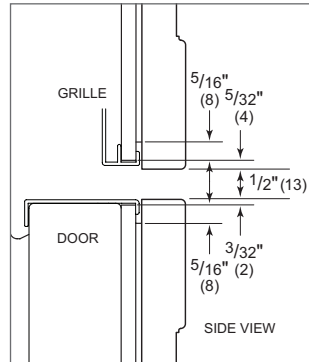
Illus. A



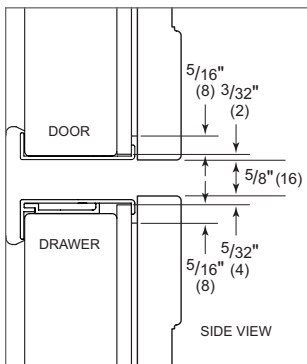
Illus. B



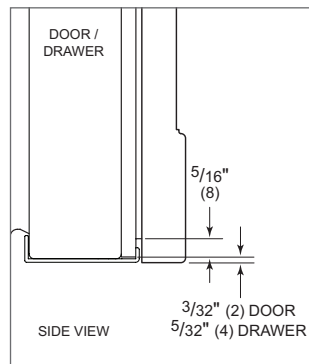
Illus. C



Illus. D

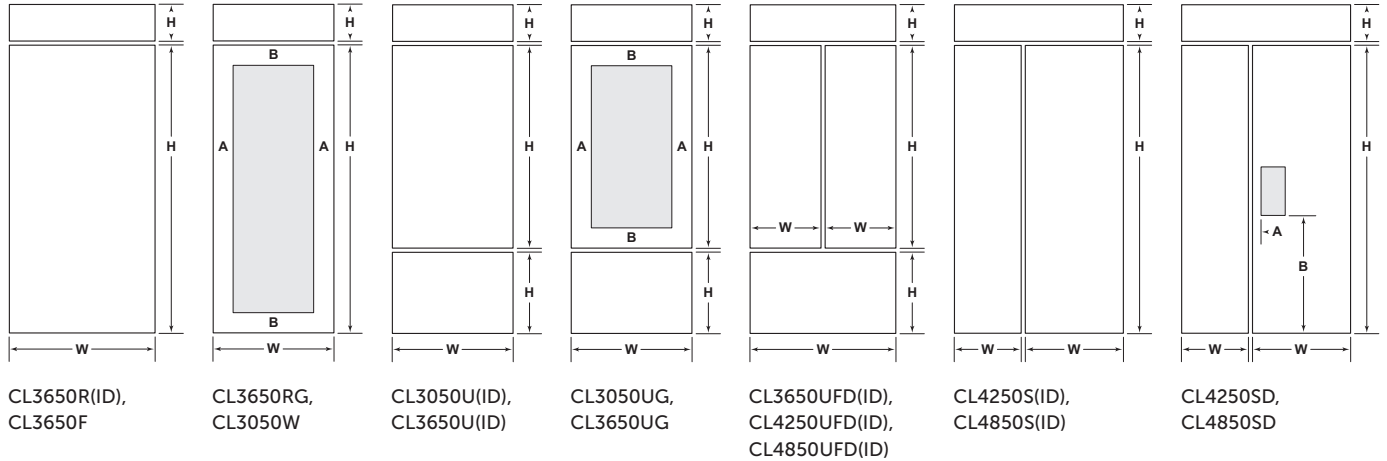


Illus. E



Illus. F

Flush Inset Panel Dimensions



MODEL CL3650R(ID), CL3650RG, CL3650F

REFRIGERATOR / FREEZER	W	H
Flush Inset Panel	37" (940)	71 ¹ / ₄ " (1810)
Spacer Panel	35 ¹ / ₈ " (892)	70 ⁷ / ₁₆ " (1789)
Backer Panel	35 ³ / ₄ " (908)	71 ¹ / ₁₆ " (1805)

GRILLE	W	H
Flush Inset Panel	37" (940)	7 ³ / ₄ " (197)
Spacer Panel	35 ¹ / ₈ " (892)	6 ¹³ / ₁₆ " (173)
Backer Panel	35 ³ / ₄ " (908)	7 ⁷ / ₁₆ " (189)

CL3650RG	A	B
Stiles / Rails	5 ³ / ₄ " (146)	5 ¹ / ₄ " (133)

MODEL CL3050W

WINE STORAGE	W	H
Flush Inset Panel	31" (787)	71 ¹ / ₄ " (1810)
Spacer Panel	29 ¹ / ₈ " (740)	70 ⁷ / ₁₆ " (1789)
Backer Panel	29 ³ / ₄ " (756)	71 ¹ / ₁₆ " (1805)

GRILLE	W	H
Flush Inset Panel	31" (787)	7 ³ / ₄ " (197)
Spacer Panel	29 ¹ / ₈ " (740)	6 ¹³ / ₁₆ " (173)
Backer Panel	29 ³ / ₄ " (756)	7 ⁷ / ₁₆ " (189)

CL3050W	A	B
Stiles / Rails	5 ³ / ₄ " (146)	5 ¹ / ₄ " (133)

MODEL CL3050U(ID), CL3050UG

REFRIGERATOR	W	H
Flush Inset Panel	31" (787)	50 ⁵ / ₈ " (1286)
Spacer Panel	29 ¹ / ₈ " (740)	49 ¹³ / ₁₆ " (1265)
Backer Panel	29 ³ / ₄ " (756)	50 ⁷ / ₁₆ " (1281)

FREEZER	W	H
Flush Inset Panel	31" (787)	20" (508)
Spacer Panel	29 ¹ / ₈ " (740)	19 ¹ / ₁₆ " (484)
Backer Panel	29 ³ / ₄ " (756)	19 ¹¹ / ₁₆ " (500)

GRILLE	W	H
Flush Inset Panel	31" (787)	7 ³ / ₄ " (197)
Spacer Panel	29 ¹ / ₈ " (740)	6 ¹³ / ₁₆ " (173)
Backer Panel	29 ³ / ₄ " (756)	7 ⁷ / ₁₆ " (189)

CL3050UG	A	B
Stiles / Rails	5 ³ / ₄ " (146)	5 ¹ / ₄ " (133)

MODEL CL3650U(ID), CL3650UG

REFRIGERATOR	W	H
Flush Inset Panel	37" (940)	50 ⁵ / ₈ " (1286)
Spacer Panel	35 ¹ / ₈ " (892)	49 ¹³ / ₁₆ " (1265)
Backer Panel	35 ³ / ₄ " (908)	50 ⁷ / ₁₆ " (1281)

FREEZER	W	H
Flush Inset Panel	37" (940)	20" (508)
Spacer Panel	35 ¹ / ₈ " (892)	19 ¹ / ₁₆ " (484)
Backer Panel	35 ³ / ₄ " (908)	19 ¹¹ / ₁₆ " (500)

GRILLE	W	H
Flush Inset Panel	37" (940)	7 ³ / ₄ " (197)
Spacer Panel	35 ¹ / ₈ " (892)	6 ¹³ / ₁₆ " (173)
Backer Panel	35 ³ / ₄ " (908)	7 ⁷ / ₁₆ " (189)

CL3650UG	A	B
Stiles / Rails	5 ³ / ₄ " (146)	5 ¹ / ₄ " (133)

Flush Inset Panel Dimensions

MODEL CL3650UFD(ID)

REFRIGERATOR (2 PANELS)	W	H
Flush Inset Panel	18 ³ / ₈ " (467)	50 ⁵ / ₈ " (1286)
Spacer Panel	17" (432)	49 ¹³ / ₁₆ " (1265)
Backer Panel	17 ⁵ / ₈ " (448)	50 ⁷ / ₁₆ " (1281)

FREEZER	W	H
Flush Inset Panel	37" (940)	20" (508)
Spacer Panel	35 ¹ / ₈ " (892)	19 ¹ / ₁₆ " (484)
Backer Panel	35 ³ / ₄ " (908)	19 ¹¹ / ₁₆ " (500)

GRILLE	W	H
Flush Inset Panel	37" (940)	7 ³ / ₄ " (197)
Spacer Panel	35 ¹ / ₈ " (892)	6 ¹³ / ₁₆ " (173)
Backer Panel	35 ³ / ₄ " (908)	7 ⁷ / ₁₆ " (189)

MODEL CL4250UFD(ID)

REFRIGERATOR (2 PANELS)	W	H
Flush Inset Panel	21 ³ / ₈ " (543)	50 ⁵ / ₈ " (1286)
Spacer Panel	20" (508)	49 ¹³ / ₁₆ " (1265)
Backer Panel	20 ⁵ / ₈ " (524)	50 ⁷ / ₁₆ " (1281)

FREEZER	W	H
Flush Inset Panel	43" (1092)	20" (508)
Spacer Panel	41 ¹ / ₈ " (1045)	19 ¹ / ₁₆ " (484)
Backer Panel	41 ³ / ₄ " (1060)	19 ¹¹ / ₁₆ " (500)

GRILLE	W	H
Flush Inset Panel	43" (1092)	7 ³ / ₄ " (197)
Spacer Panel	41 ¹ / ₈ " (1045)	6 ¹³ / ₁₆ " (173)
Backer Panel	41 ³ / ₄ " (1060)	7 ⁷ / ₁₆ " (189)

MODEL CL4850UFD(ID)

REFRIGERATOR (2 PANELS)	W	H
Flush Inset Panel	24 ³ / ₈ " (619)	50 ⁵ / ₈ " (1286)
Spacer Panel	23" (584)	49 ¹³ / ₁₆ " (1265)
Backer Panel	23 ⁵ / ₈ " (600)	50 ⁷ / ₁₆ " (1281)

FREEZER	W	H
Flush Inset Panel	49" (1245)	20" (508)
Spacer Panel	47 ¹ / ₈ " (1197)	19 ¹ / ₁₆ " (484)
Backer Panel	47 ³ / ₄ " (1213)	19 ¹¹ / ₁₆ " (500)

GRILLE	W	H
Flush Inset Panel	49" (1245)	7 ³ / ₄ " (197)
Spacer Panel	47 ¹ / ₈ " (1197)	6 ¹³ / ₁₆ " (173)
Backer Panel	47 ³ / ₄ " (1213)	7 ⁷ / ₁₆ " (189)

MODEL CL4250S(ID), CL4250SD

REFRIGERATOR	W	H
Flush Inset Panel	25 ⁹ / ₁₆ " (649)	71 ¹ / ₄ " (1810)
Spacer Panel	24 ³ / ₁₆ " (614)	70 ⁷ / ₁₆ " (1789)
Backer Panel	24 ¹³ / ₁₆ " (630)	71 ¹ / ₁₆ " (1805)

FREEZER	W	H
Flush Inset Panel	17 ³ / ₁₆ " (437)	71 ¹ / ₄ " (1810)
Spacer Panel	15 ¹³ / ₁₆ " (402)	70 ⁷ / ₁₆ " (1789)
Backer Panel	16 ⁷ / ₁₆ " (418)	71 ¹ / ₁₆ " (1805)

GRILLE	W	H
Flush Inset Panel	43" (1092)	7 ³ / ₄ " (197)
Spacer Panel	41 ¹ / ₈ " (1045)	6 ¹³ / ₁₆ " (173)
Backer Panel	41 ³ / ₄ " (1060)	7 ⁷ / ₁₆ " (189)

CL4250SD	W	H
Dispenser Cutout	6 ³ / ₈ " (162)	13" (330)
	A	B
Cutout Location	2 ¹ / ₈ " (54)	32 ³ / ₄ " (832)

MODEL CL4850S(ID), CL4850SD

REFRIGERATOR	W	H
Flush Inset Panel	29 ¹ / ₄ " (743)	71 ¹ / ₄ " (1810)
Spacer Panel	27 ⁷ / ₈ " (708)	70 ⁷ / ₁₆ " (1789)
Backer Panel	28 ¹ / ₂ " (724)	71 ¹ / ₁₆ " (1805)

FREEZER	W	H
Flush Inset Panel	19 ¹ / ₂ " (495)	71 ¹ / ₄ " (1810)
Spacer Panel	18 ¹ / ₈ " (460)	70 ⁷ / ₁₆ " (1789)
Backer Panel	18 ³ / ₄ " (476)	71 ¹ / ₁₆ " (1805)

GRILLE	W	H
Flush Inset Panel	49" (1245)	7 ³ / ₄ " (197)
Spacer Panel	47 ¹ / ₈ " (1197)	6 ¹³ / ₁₆ " (173)
Backer Panel	47 ³ / ₄ " (1213)	7 ⁷ / ₁₆ " (189)

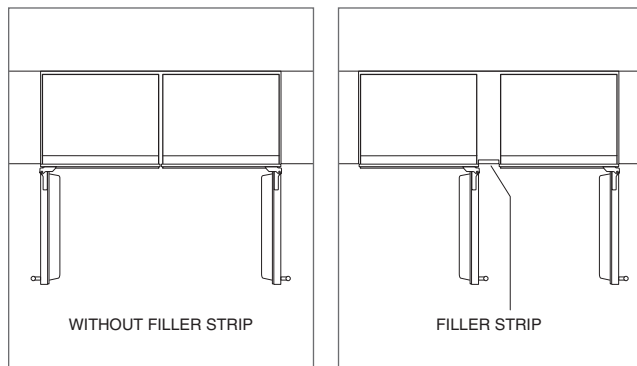
CL4850SD	W	H
Dispenser Cutout	6 ³ / ₈ " (162)	13" (330)
	A	B
Cutout Location	2 ¹ / ₈ " (54)	32 ³ / ₄ " (832)

Dual Installation

If two units are installed side by side, a dual installation kit may be required. Installations without a custom filler strip require a dual installation kit. If a dual installation kit is not specified, a 2" (51) filler strip is recommended between the units. A custom filler strip is required when installing two French door or side-by-side models. Dual installations without a filler strip can only be accomplished using two units with opposite hinges. Refer to the illustrations below.

Dual installation kits are available through an authorized Sub-Zero dealer. For local dealer information, visit the find a showroom section of our website, subzero.com. For questions regarding the installation, call Sub-Zero Customer Care at 800-222-7820.

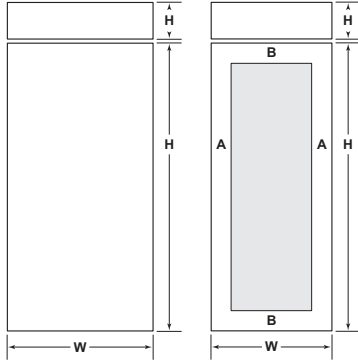
For dual standard installations, panel dimensions are the same as for single installations. Refer to the charts on pages 20–21. Panel dimensions for dual flush inset installations are listed on the following page.



Opposite hinges

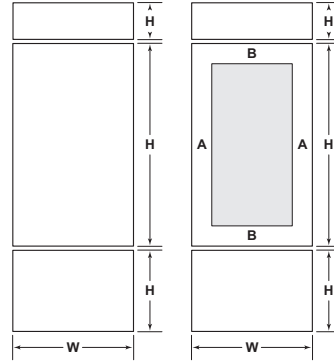
Same side hinges

Dual Flush Inset Panel Dimensions



CL3650R(ID),
CL3650F

CL3650RG,
CL3050W



CL3050U(ID),
CL3650U(ID)

CL3050UG,
CL3650UG

MODEL CL3650R(ID), CL3650RG, CL3650F

REFRIGERATOR / FREEZER	W	H
Flush Inset Panel	36½" (927)	71¼" (1810)
Spacer Panel	35⅞" (892)	707/16" (1789)
Backer Panel	35¾" (908)	71⅓" (1805)

GRILLE	W	H
Flush Inset Panel	36½" (927)	7¾" (197)
Spacer Panel	35⅞" (892)	6⅓/16" (173)
Backer Panel	35¾" (908)	77/16" (189)

CL3650RG	A	B
Stiles / Rails	5¾" (146)	5¼" (133)

MODEL CL3050W

WINE STORAGE	W	H
Flush Inset Panel	30½" (775)	71¼" (1810)
Spacer Panel	29⅞" (740)	707/16" (1789)
Backer Panel	29¾" (756)	71⅓" (1805)

GRILLE	W	H
Flush Inset Panel	30½" (775)	7¾" (197)
Spacer Panel	29⅞" (740)	6⅓/16" (173)
Backer Panel	29¾" (756)	77/16" (189)

CL3050W	A	B
Stiles / Rails	5¾" (146)	5¼" (133)

MODEL CL3050U(ID), CL3050UG

REFRIGERATOR	W	H
Flush Inset Panel	30½" (775)	50⅝" (1286)
Spacer Panel	29⅞" (740)	49⅓/16" (1265)
Backer Panel	29¾" (756)	507/16" (1281)

FREEZER	W	H
Flush Inset Panel	30½" (775)	20" (508)
Spacer Panel	29⅞" (740)	19⅓/16" (484)
Backer Panel	29¾" (756)	19⅓/16" (500)

GRILLE	W	H
Flush Inset Panel	30½" (775)	7¾" (197)
Spacer Panel	29⅞" (740)	6⅓/16" (173)
Backer Panel	29¾" (756)	77/16" (189)

CL3050UG	A	B
Stiles / Rails	5¾" (146)	5¼" (133)

MODEL CL3650U(ID), CL3650UG

REFRIGERATOR	W	H
Flush Inset Panel	36½" (927)	50⅝" (1286)
Spacer Panel	35⅞" (892)	49⅓/16" (1265)
Backer Panel	35¾" (908)	507/16" (1281)

FREEZER	W	H
Flush Inset Panel	36½" (927)	20" (508)
Spacer Panel	35⅞" (892)	19⅓/16" (484)
Backer Panel	35¾" (908)	19⅓/16" (500)

GRILLE	W	H
Flush Inset Panel	36½" (927)	7¾" (197)
Spacer Panel	35⅞" (892)	6⅓/16" (173)
Backer Panel	35¾" (908)	77/16" (189)

CL3650UG	A	B
Stiles / Rails	5¾" (146)	5¼" (133)

Dual Installation

DUAL WIDE GRILLE

A dual wide grille spans the entire width of both units in a dual installation and is a part of a dual installation kit.

For overlay and flush inset panel dimensions for the dual wide grille, refer to the charts below.

DUAL WIDE GRILLE—OVERLAY

TWO 30" MODELS	W	H
Overlay Panel	60 $\frac{1}{4}$ " (1530)	7 $\frac{3}{4}$ " (197)
Spacer Panel	59 $\frac{3}{8}$ " (1508)	6 $\frac{13}{16}$ " (173)
Backer Panel	60" (1524)	7 $\frac{7}{16}$ " (189)

30" AND 36" MODEL	W	H
Overlay Panel	66 $\frac{1}{4}$ " (1683)	7 $\frac{3}{4}$ " (197)
Spacer Panel	65 $\frac{3}{8}$ " (1661)	6 $\frac{13}{16}$ " (173)
Backer Panel	66" (1676)	7 $\frac{7}{16}$ " (189)

TWO 36" MODELS	W	H
Overlay Panel	72 $\frac{1}{4}$ " (1835)	7 $\frac{3}{4}$ " (197)
Spacer Panel	71 $\frac{3}{8}$ " (1813)	6 $\frac{13}{16}$ " (173)
Backer Panel	72" (1829)	7 $\frac{7}{16}$ " (189)

DUAL WIDE GRILLE—FLUSH INSET

TWO 30" MODELS	W	H
Flush Inset Panel	61 $\frac{1}{4}$ " (1556)	7 $\frac{3}{4}$ " (197)
Spacer Panel	59 $\frac{3}{8}$ " (1508)	6 $\frac{13}{16}$ " (173)
Backer Panel	60" (1524)	7 $\frac{7}{16}$ " (189)

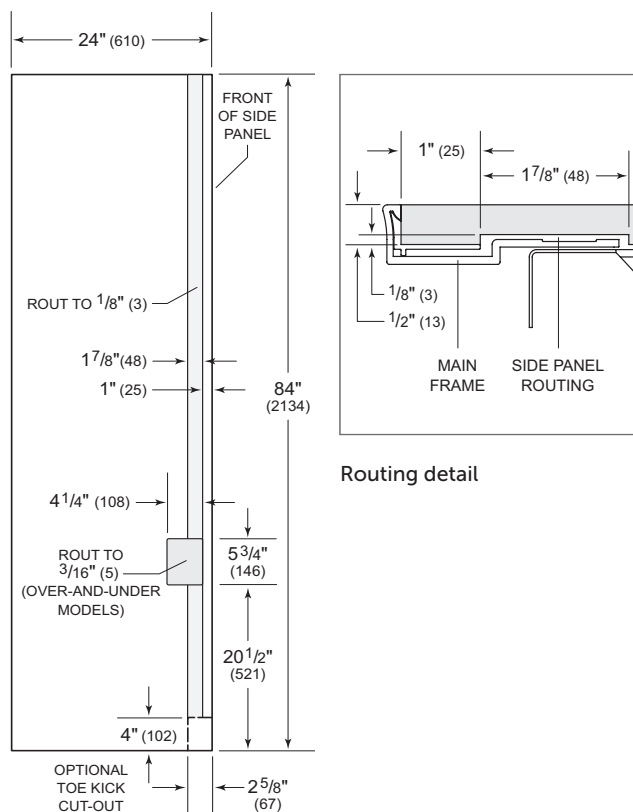
30" AND 36" MODEL	W	H
Flush Inset Panel	67 $\frac{1}{4}$ " (1708)	7 $\frac{3}{4}$ " (197)
Spacer Panel	65 $\frac{3}{8}$ " (1661)	6 $\frac{13}{16}$ " (173)
Backer Panel	66" (1676)	7 $\frac{7}{16}$ " (189)

TWO 36" MODELS	W	H
Flush Inset Panel	73 $\frac{1}{4}$ " (1861)	7 $\frac{3}{4}$ " (197)
Spacer Panel	71 $\frac{3}{8}$ " (1813)	6 $\frac{13}{16}$ " (173)
Backer Panel	72" (1829)	7 $\frac{7}{16}$ " (189)

Side Panel

The custom side panels must be a minimum of 24" (610) deep and $\frac{1}{2}$ " (13) thick. Routing will be necessary for the side panel to fit flush against the side of the unit. Refer to the illustrations below.

When installing a Classic Series unit with a custom side panel, an accessory kit is required. Stainless steel side panels are available through an authorized Sub-Zero dealer. For local dealer information, visit the find a showroom section of our website, subzero.com.



Side panel dimensions

Standard Handles

Optional stainless steel tubular and pro handles are available through an authorized Sub-Zero dealer. For local dealer information, visit the find a showroom section of our website, subzero.com.

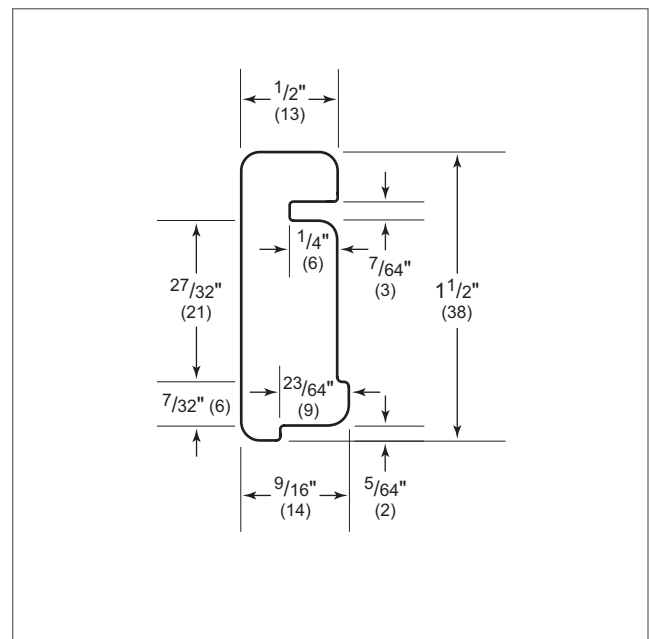
Refer to the chart below for standard handle lengths for Classic Series models.

HANDLE LENGTH	TUBULAR	PRO
Full Door	60 ³ / ₄ " (1543)	59 ¹ / ₁₆ " (1516)
Over-and-Under Door	40 ¹ / ₈ " (1019)	36 ¹ / ₁₆ " (916)
30" Drawer	25" (635)	24" (610)
36" Drawer	31" (787)	30" (762)
42" Drawer	37" (940)	36 ¹ / ₁₆ " (916)
48" Drawer	43" (1092)	42" (1067)

Wine Rack Wood Facing

MODEL CL3050W

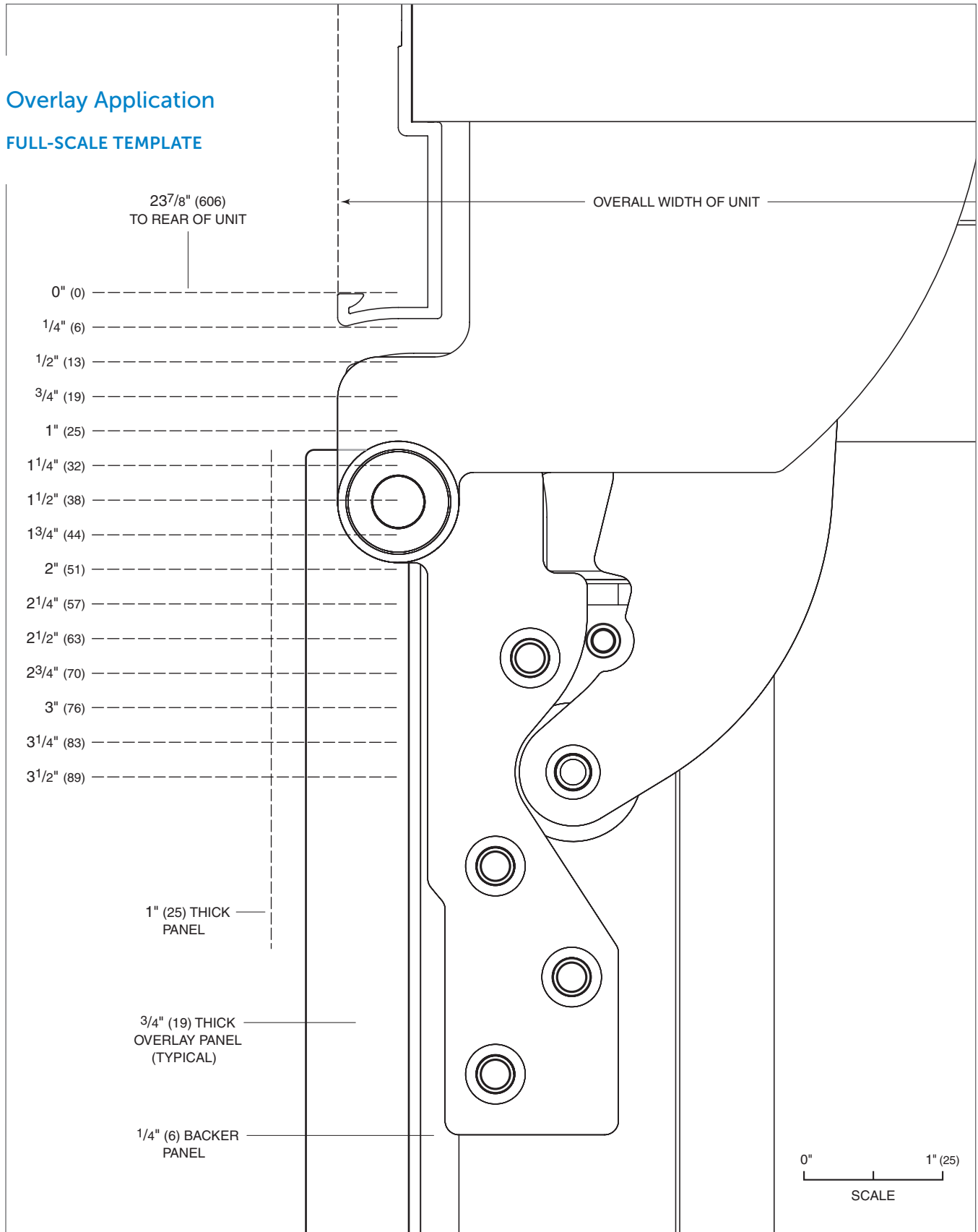
The natural cherrywood facing on the wine storage racks can be stained and sealed, or replaced with wood more complementary to surrounding cabinetry. Refer to the full-scale template below for the profile dimensions of the wood facing, the width is 24⁹/₁₆ (624).



Wine rack wood facing profile

Overlay Application

FULL-SCALE TEMPLATE

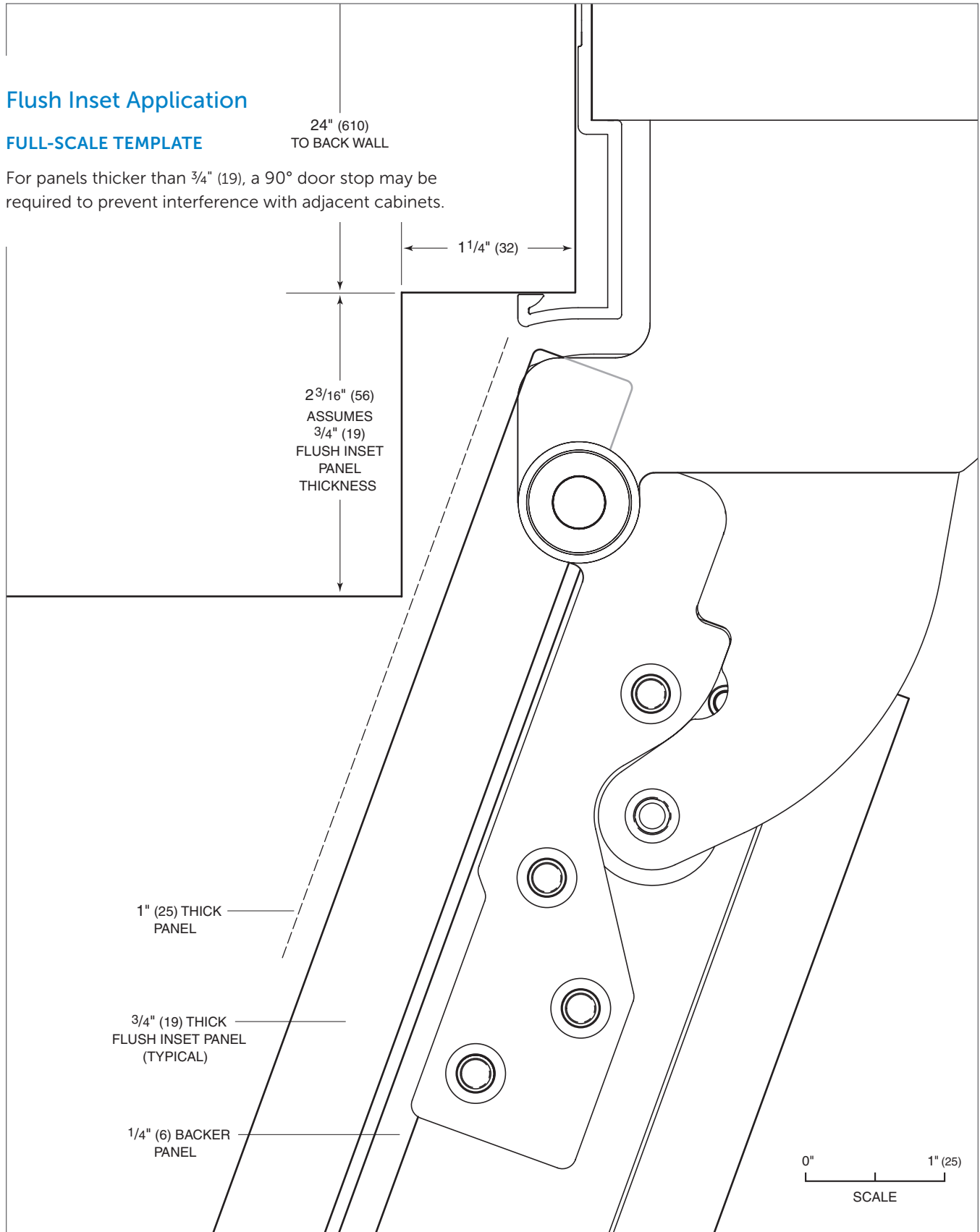


90° door opening (top view)

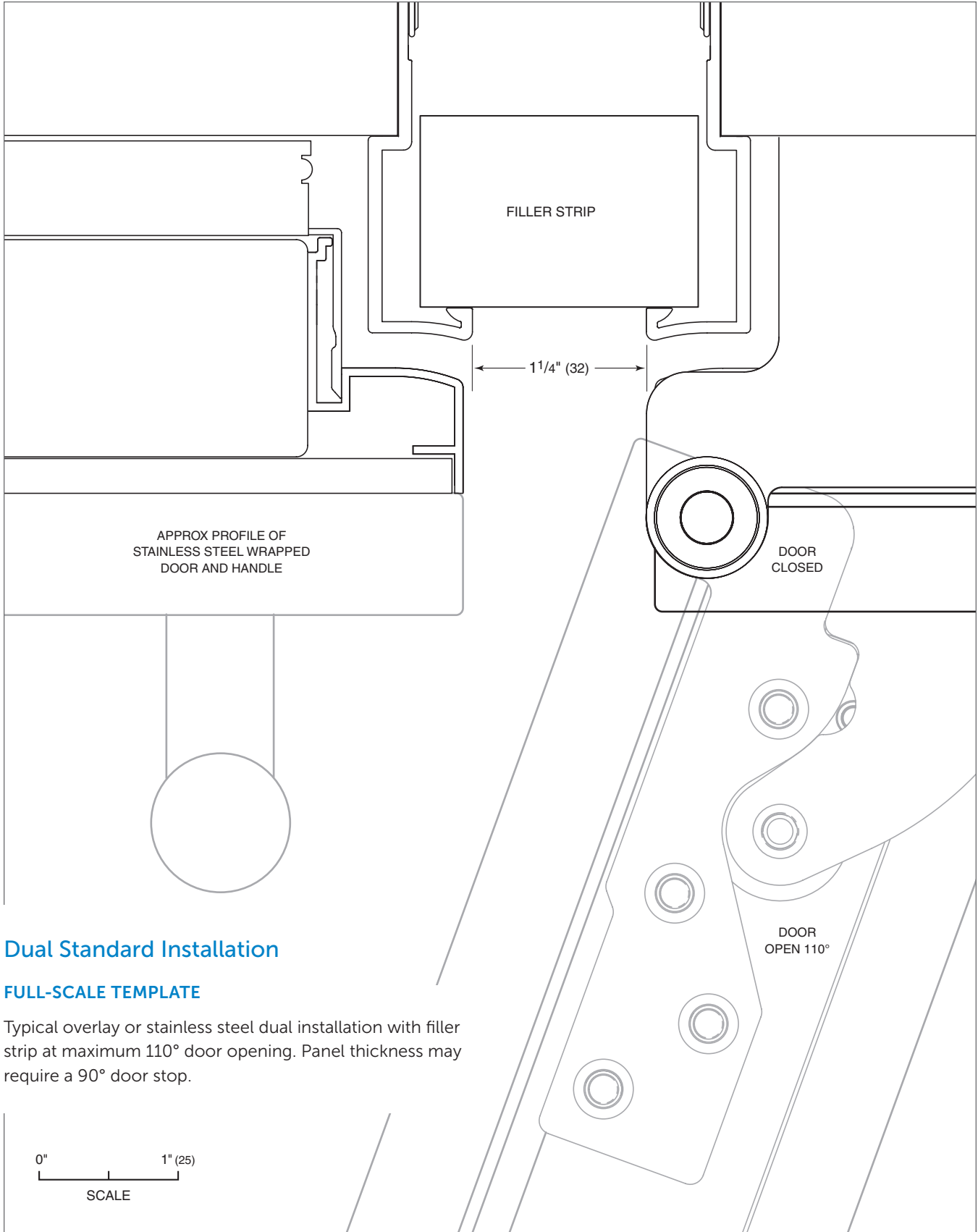
Flush Inset Application

FULL-SCALE TEMPLATE

For panels thicker than 3/4" (19), a 90° door stop may be required to prevent interference with adjacent cabinets.



110° door opening (top view)

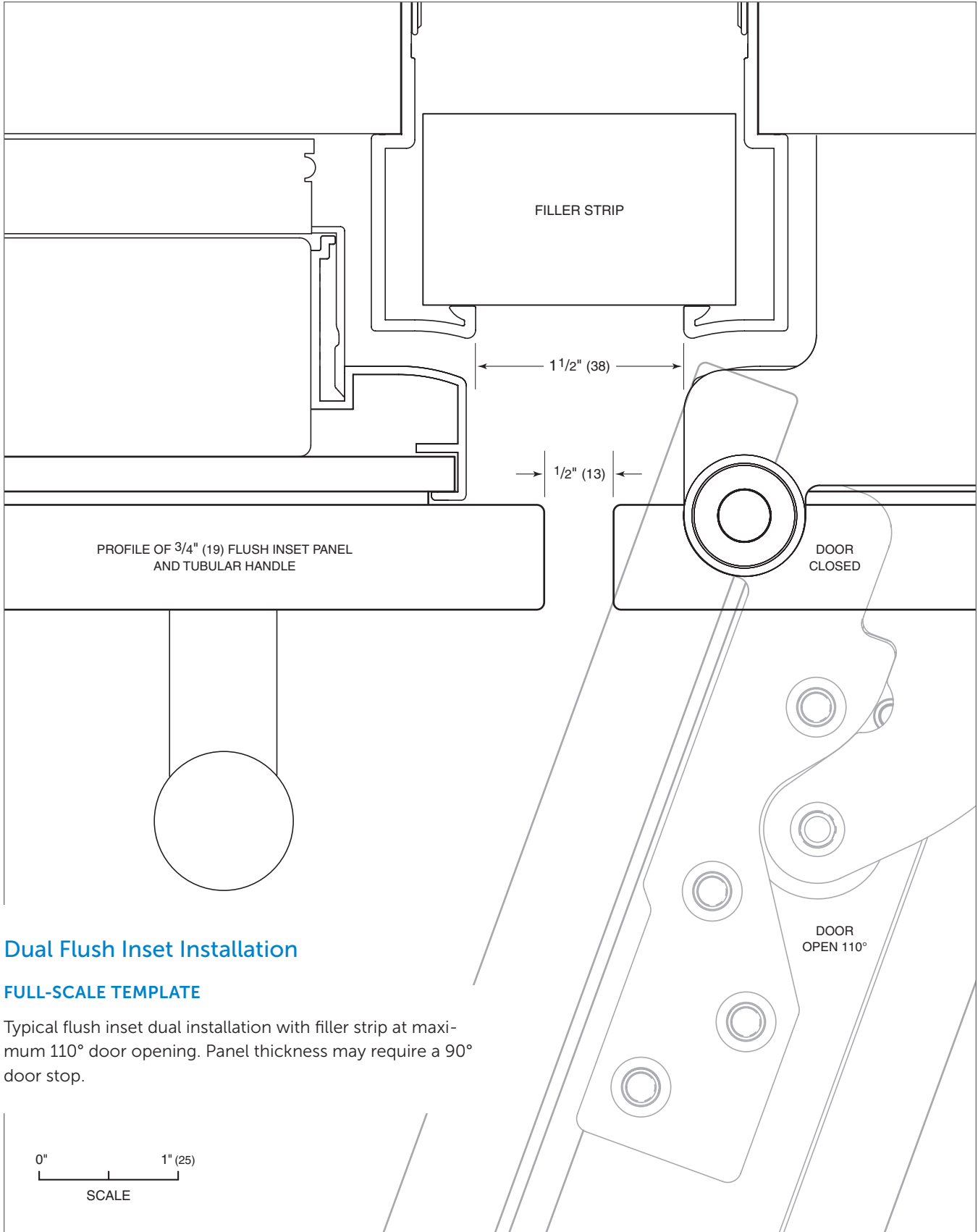


Dual Standard Installation

FULL-SCALE TEMPLATE

Typical overlay or stainless steel dual installation with filler strip at maximum 110° door opening. Panel thickness may require a 90° door stop.

Dual standard installation (top view)



Dual Flush Inset Installation

FULL-SCALE TEMPLATE

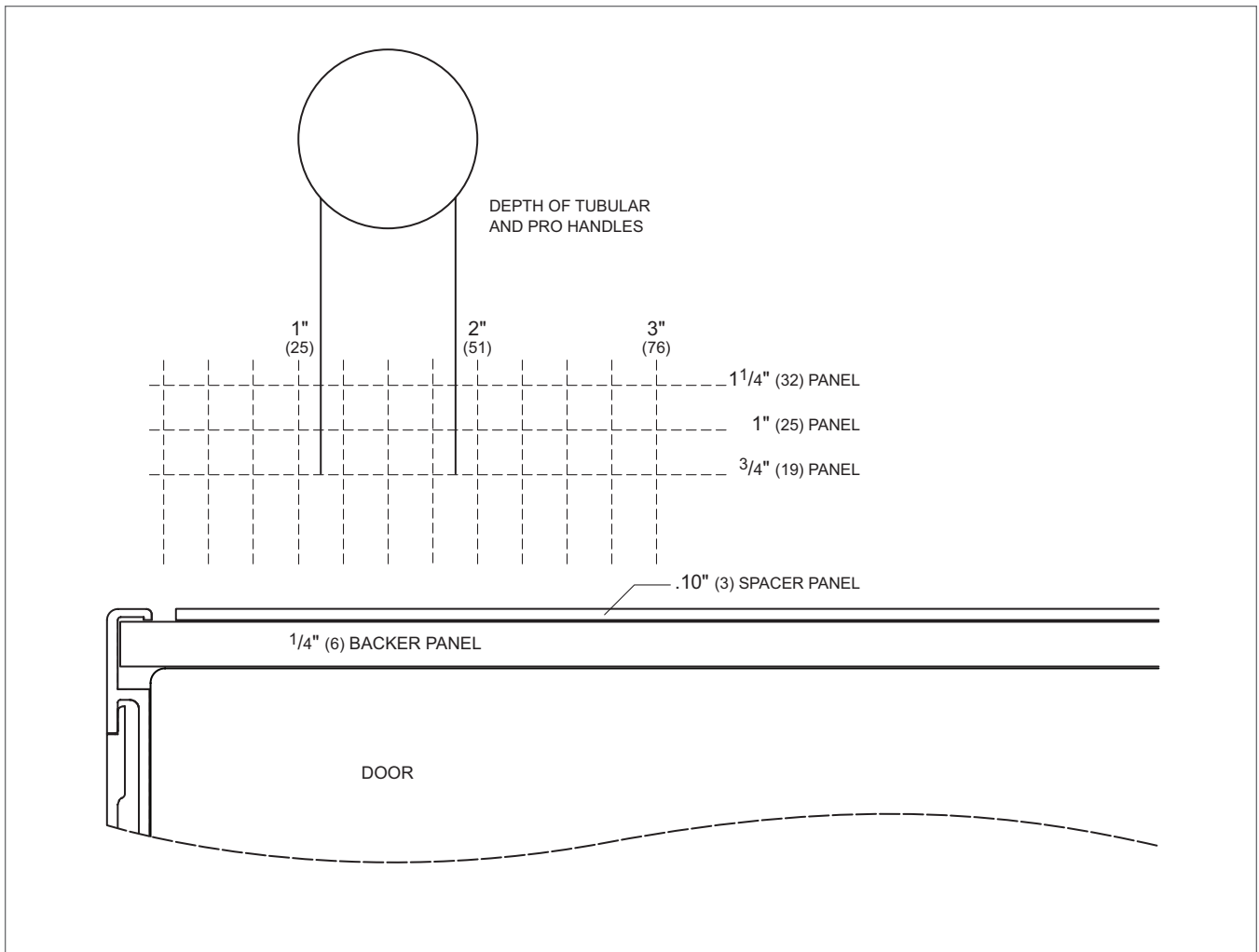
Typical flush inset dual installation with filler strip at maximum 110° door opening. Panel thickness may require a 90° door stop.

Dual flush inset installation (top view)

Overlay / Flush Inset Panels

FULL-SCALE TEMPLATE

Overlay and flush inset panels must be a minimum of 3/4" (19) thick to support mounting the handle. Panel thickness does not include the backer and spacer panels. Mount the handle close to the opening edge of the door.



Overlay and flush inset panel thickness

Sub-Zero, Sub-Zero & Design, Sub-Zero & Snowflake Design, Dual Refrigeration, The Living Kitchen, Great American Kitchens The Fine Art of Kitchen Design, Wolf, Wolf & Design, Wolf Gourmet, W & Design, red colored knobs, Cove, and Cove & Design are registered trademarks and service marks of Sub-Zero Group, Inc. and its subsidiaries. All other trademarks are property of their respective owners in the United States and other countries.

Sub-Zero Residential Limited Warranty

FOR RESIDENTIAL USE

FULL TWO YEAR WARRANTY*

For two years from the date of original installation, this Sub-Zero product warranty covers all parts and labor to repair or replace, under normal residential use, any part of the product that proves to be defective in materials or workmanship. All service provided by Sub-Zero under the above warranty must be performed by Sub-Zero Factory Certified Service, unless otherwise specified by Sub-Zero, Inc. Service will be provided during normal business hours.

FULL FIVE YEAR SEALED SYSTEM WARRANTY

For five years from the date of original installation, this Sub-Zero product warranty covers all parts and labor to repair or replace, under normal residential use, these parts that prove to be defective in materials or workmanship: compressor, condenser, evaporator, drier and all connecting tubing. All service provided by Sub-Zero under the above warranty must be performed by Sub-Zero Factory Certified Service, unless otherwise specified by Sub-Zero, Inc. Service will be provided during normal business hours.

LIMITED TWELVE YEAR SEALED SYSTEM WARRANTY

For twelve years from the date of original installation, Sub-Zero will repair or replace the following parts that prove to be defective in materials or workmanship: compressor, condenser, evaporator, drier and all connecting tubing. If the owner uses Sub-Zero Factory Certified Service, the service provider will repair or replace these parts with the owner paying for all other costs, including labor. If the owner uses non-certified service, the owner must contact Sub-Zero, Inc. (using the information below) to receive repaired or replacement parts. Sub-Zero will not reimburse the owner for parts purchased from non-certified service or other sources.

TERMS APPLICABLE TO EACH WARRANTY

The warranty applies only to products installed for normal residential use. The warranty applies only to products installed in any one of the fifty states of the United States, the District of Columbia or the ten provinces of Canada. This warranty does not cover any parts or labor to correct any defect caused by negligence, accident or improper use, maintenance, installation, service or repair.

THE REMEDIES DESCRIBED ABOVE FOR EACH WARRANTY ARE THE ONLY ONES THAT SUB-ZERO, INC. WILL PROVIDE, EITHER UNDER THIS WARRANTY OR UNDER ANY WARRANTY ARISING BY OPERATION OF LAW. SUB-ZERO, INC. WILL NOT BE RESPONSIBLE FOR ANY CONSEQUENTIAL OR INCIDENTAL DAMAGES ARISING FROM THE BREACH OF THIS WARRANTY OR ANY OTHER WARRANTY, WHETHER EXPRESS, IMPLIED OR STATUTORY.

Some states do not allow the exclusion or limitation of incidental or consequential damages, so the above limitation or exclusion may not apply to you. This warranty gives you specific legal rights and you may also have other legal rights that vary from state to state.

To receive parts and/or service and the name of Sub-Zero Factory Certified Service nearest you, contact Sub-Zero, Inc., P.O. Box 44848, Madison, WI 53744; check the Product Support section of our website, subzero.com, email us at customerservice@subzero.com, or call 800-222-7820.

*Stainless steel (doors, panels, handles, product frames and interior surfaces) are covered by a limited 60-day parts and labor warranty for cosmetic defects.

*Replacement water filters and air purification cartridges are not covered by the product warranty.





SUBZERO.COM