

Metal Front Panels

<u>CONTAINS:</u>	<u>QTY</u>	<u>DESCRIPTION</u>
	1	Panel
	1	Bag of Front Panel Clips
	1	Instruction Sheet

FRONT PANEL CLIP INSTALLATION PROCEDURE:

Insert the clips into the rectangular holes in the rear flanges of the front panel as shown in Figure 1, making sure the 1/4" (6 mm) wide part of the clips is facing toward the outer edge of the panel as this will slide under the door trim.

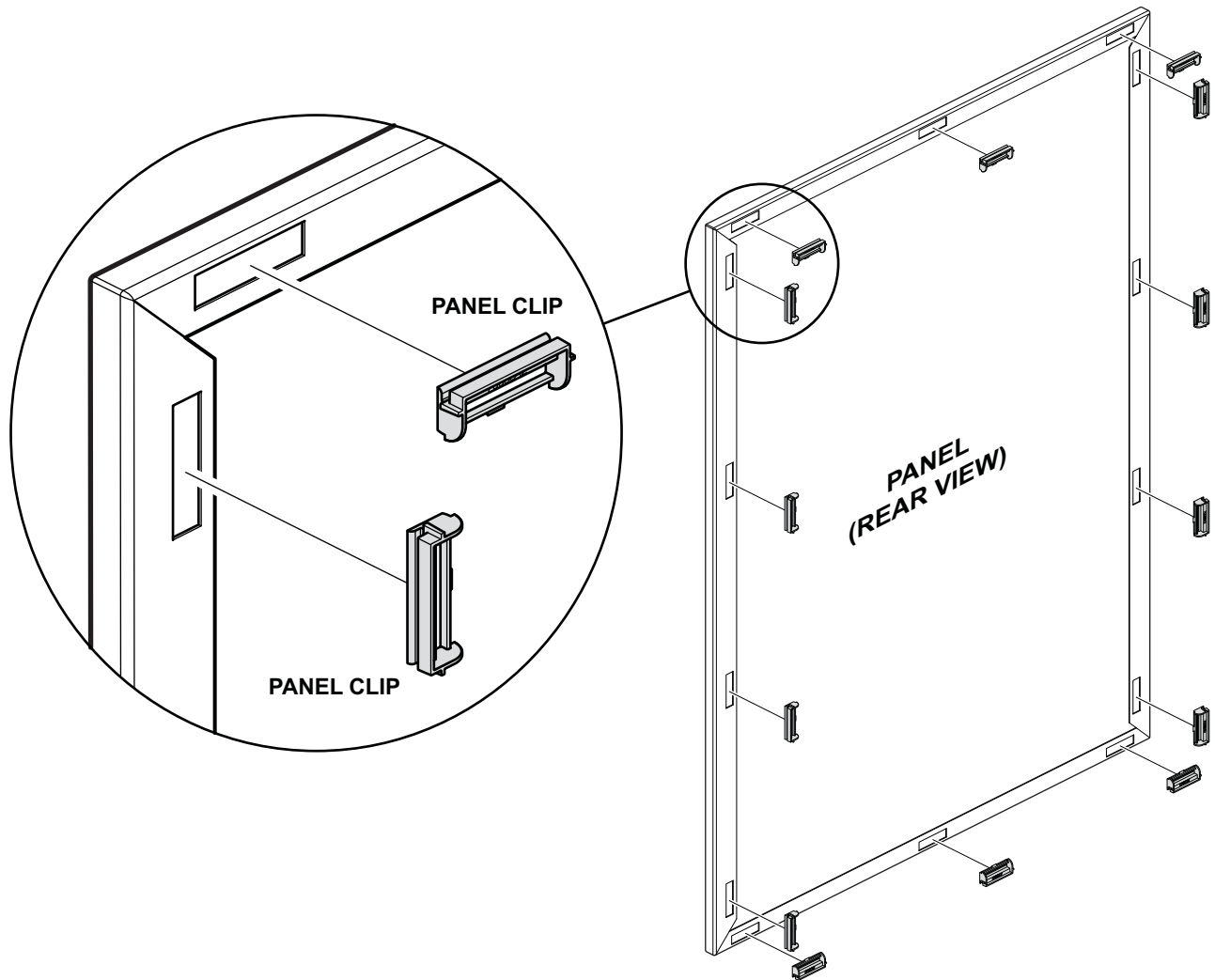


Figure 1. Front Panel Clip Installation

NOTE: The clip installation is the same regardless of the panel.
(Over/under Refrigerator door panel shown)

Metal Front Panels

DOOR HANDLE-SIDE TRIM REMOVAL PROCEDURE:

1. At the top of the door, insert a flat blade screwdriver into the channel of the screw cover and push the cover away from the handle-side trim so that it disengages from the handle-side trim (See Figure 2).
2. With a T-20, 6-lobe Torx type bit, extract the handle-side mounting screws and pull the trim from the door (See Figure 3).

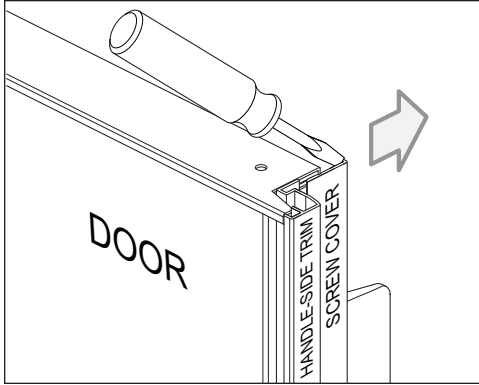


Figure 2. Screw Cover Removal

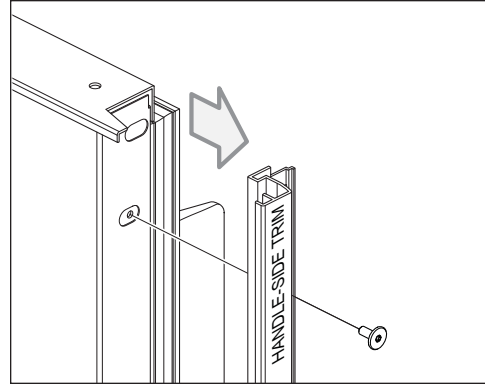


Figure 3. Handle-Side Trim Removal

DOOR PANEL INSTALLATION PROCEDURE (See Figure 4):

1. Install the door front panel onto the door so that the panel clips slide under the door trim and the front panel slides in over the door trim.
2. Reattach the handle-side trim.
3. Reinstall the screw cover.

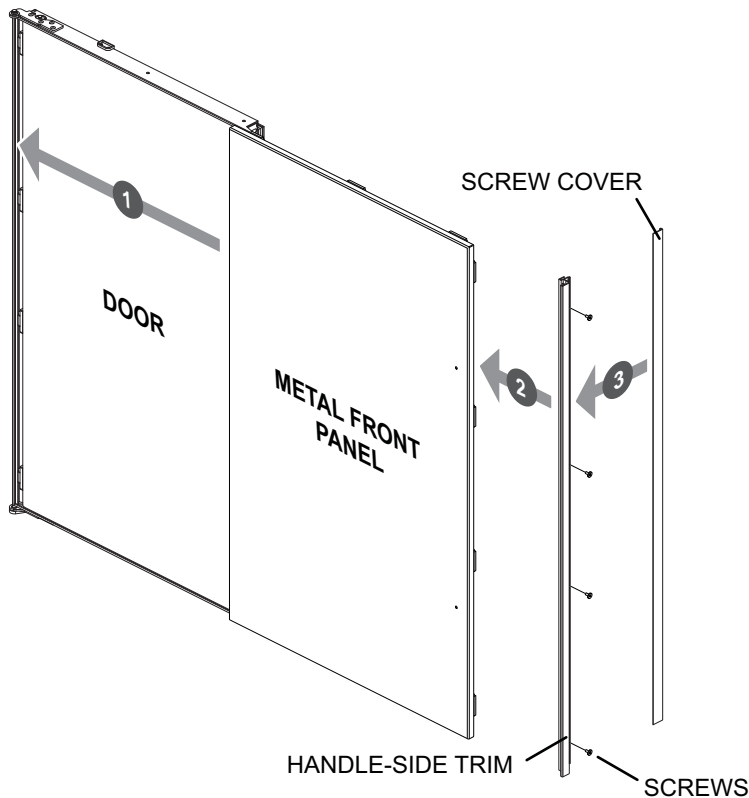


Figure 4. Door Metal Front Panel Installation

Metal Front Panels

OVER/UNDER MODEL FREEZER DRAWER TOP TRIM REMOVAL PROCEDURE:

1. At the back right-hand side of the top drawer trim (or handle-side trim), insert a flat blade screwdriver into the notch in the screw cover and pry the cover away from the top trim, disengaging it from the top trim (See Figure 5).
2. With a T-20, 6-lobe Torx type bit, extract the top trim mounting screws and pull the top trim from the drawer (See Figure 6).

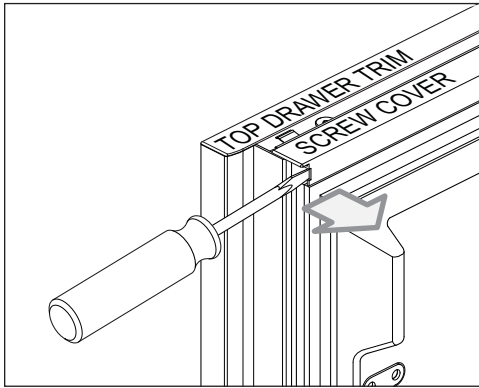


Figure 5. Screw Cover Removal

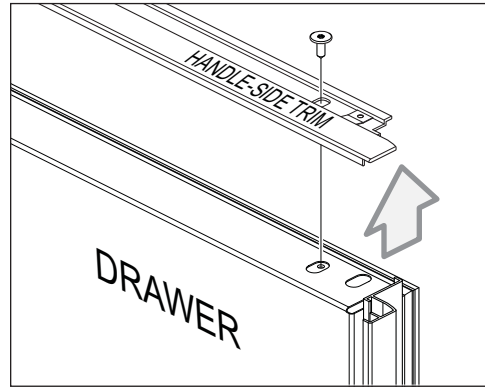


Figure 6. Top Trim Removal

OVER/UNDER MODEL DRAWER PANEL INSTALLATION PROCEDURE (See Figure 7):

1. Install the drawer panel onto the drawer so that the panel clips slide under the drawer trim and the front panel slides over the drawer trim.
2. Reattach the handle-side trim.
3. Reinstall the screw cover.

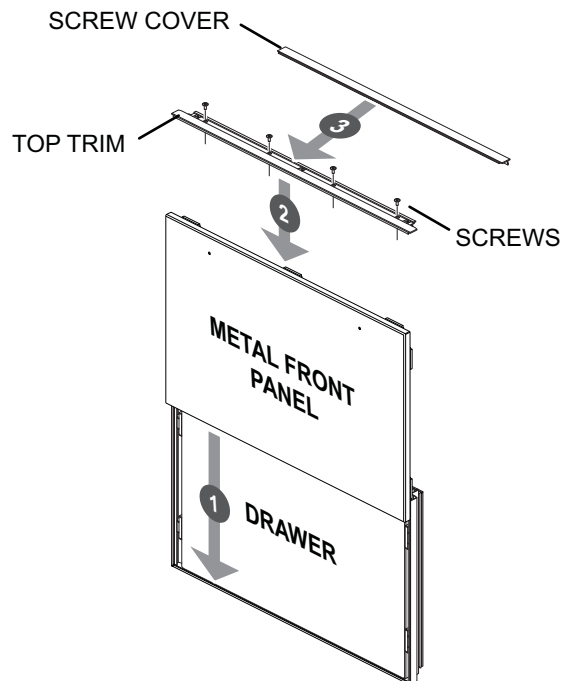


Figure 7. Drawer Metal Front Panel Installation

Metal Front Panels

BOTTOM GRILLE FRAME EXTRUSION REMOVAL PROCEDURE (See Figure 8):

Use a T-20, 6-lobe Torx type bit to extract the two lower grille frame extrusion mounting screws from each side of the grille and pull the bottom grille extrusion along with the corner brackets from the side grille extrusions.

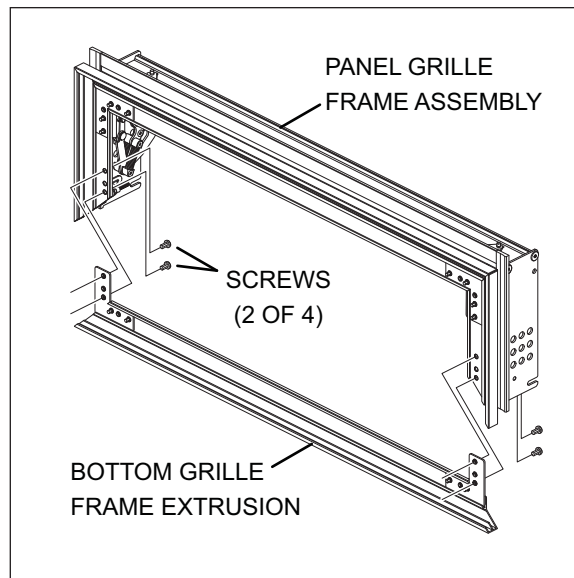


Figure 8. Bottom Frame Extrusion Removal

GRILLE PANEL INSTALLATION PROCEDURE (See Figure 9):

1. Install the grille panel into the grille frame so that the panel clips slide under the outer flange of the grille frame extrusions and the front panel slides over the frame.
2. Reattach the bottom grille extrusion.

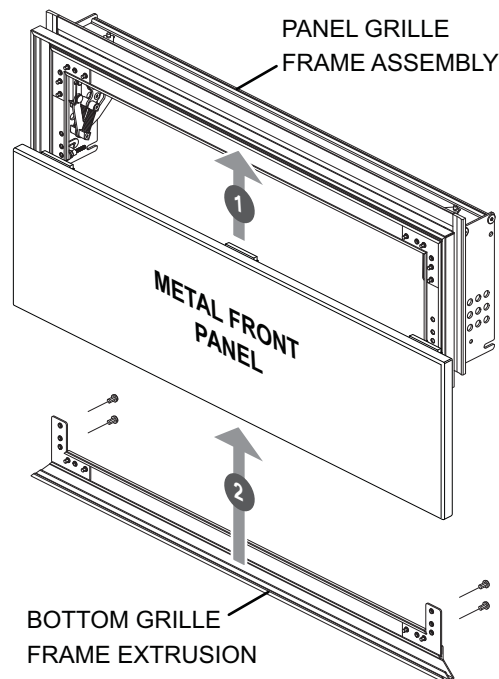


Figure 9. Grille Metal Front Panel Installation