

⚠ WARNING

Built-In units are heavy and can be unstable when attempting to install them. When moving a Built-In unit, keep the doors and drawers taped closed. The anti-tip components supplied with Built-In units must be used as specified in the installation guide. The front leveling legs of a Built-In unit must be extended to the floor to complete the installation. If a Built-In unit were to tip and fall, it could cause serious injury or death!

CONTENTS

4	Bolt, Tensilock $\frac{5}{16}$ -18 \times $\frac{3}{4}$
1	Clip, cord plastic $\frac{5}{16}$ \times $\frac{1}{2}$
6	Screw, #8-32 \times $\frac{1}{2}$ pan head
4	Threaded insert, $\frac{5}{16}$ -18 hx opn
1	Trim, dual install center long
1	Bracket, dual install bot
4	Screw, $\frac{5}{16}$ \times $\frac{3}{4}$ thread-forming
1	Bracket, dual install top
3	Bracket assembly, dual trim
1	Threaded insert, install tool
1	Heater assembly, dual installation
1	Shim, assembly main frame
6	Nut, 10-24 hex flange lock
1	Machine screw, #10-24 \times $2\frac{1}{4}$
1	Nut, #10-24 with nylon insert
1	Instructions, dual installation

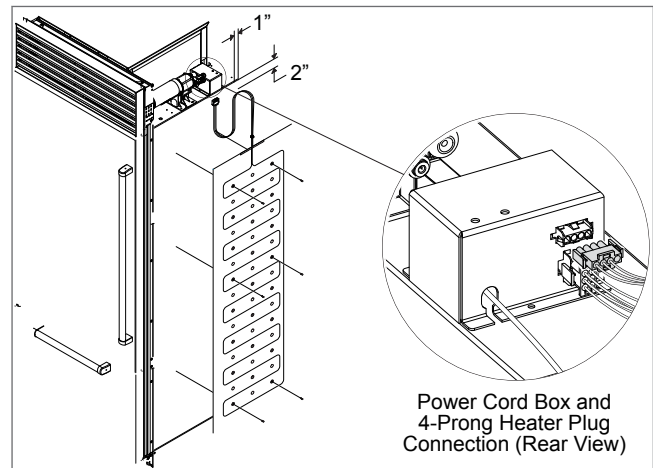
INSTALL THE HEATER

Note: The heater assembly **MUST** be attached to the right side of the left-hand unit.

- 1 Clear the foil from the mounting holes of the heater assembly.
- 2 Place the heater against the right-hand side of the unit with wires up and foil side in, positioning the heater 2" (51 mm) from the top edge of the cabinet and 1" (25 mm) from the rear edge of the cabinet.
- 3 Using the heater as a template, mark the heater mounting holes on the cabinet with a pencil, then remove the heater.
- 4 Drill a $\frac{7}{64}$ " (3 mm) hole at each marked location.

Note: To avoid drilling through the inner liner, use a short drill bit inserted into the drill chuck so that no more than $\frac{1}{2}$ " (13 mm) to $\frac{3}{4}$ " (19 mm) of bit is protruding.
- 5 Attach the heater to the unit using the #8-32 \times $\frac{1}{2}$ " pan head screws into the drilled holes.

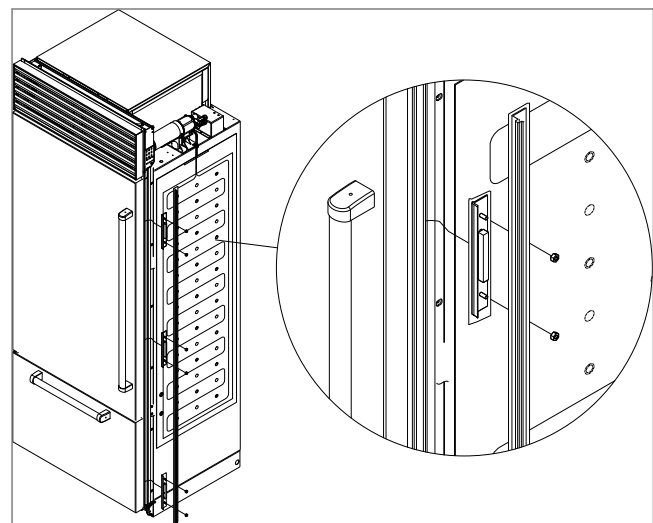
- 6 Remove the four-prong safety plug from the panel-mounted four-prong receptacle at the rear side of the power cord box.
- 7 Connect the heater's four-prong plug to the receptacle.
- 8 Attach the $\frac{5}{16}$ " \times $\frac{1}{2}$ " plastic cord clip in a convenient location near the water filter.
- 9 Route the heater wires through the plastic cord clip and any other available wire clips.



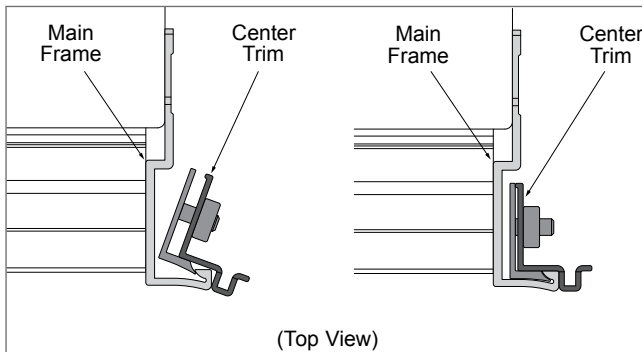
INSTALL THE CENTER TRIM

Note: Assemble the center trim piece and trim brackets first, then attach the trim to the right-hand side of the left-hand unit.

- 1 Attach the three L-shaped dual trim bracket assemblies to the dual install center trim piece using the nuts provided. **Do not** tighten the nuts at this time.

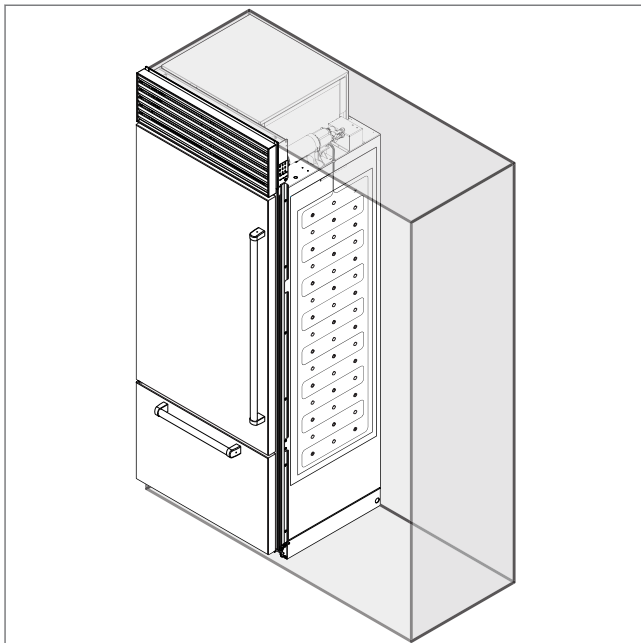


- 2 With the trim brackets loosely attached, hold the center trim piece at about a 75° angle against the right-hand side main frame.
- 3 Rotate the center trim piece toward the unit so the trim brackets hook in behind the main frame.
- 4 Align the bottom of the center trim piece with the bottom of the main frame.
- 5 Tighten the nuts.



INSTALL THE UNIT INTO THE LEFT-HAND SIDE OF THE ROUGH-IN OPENING

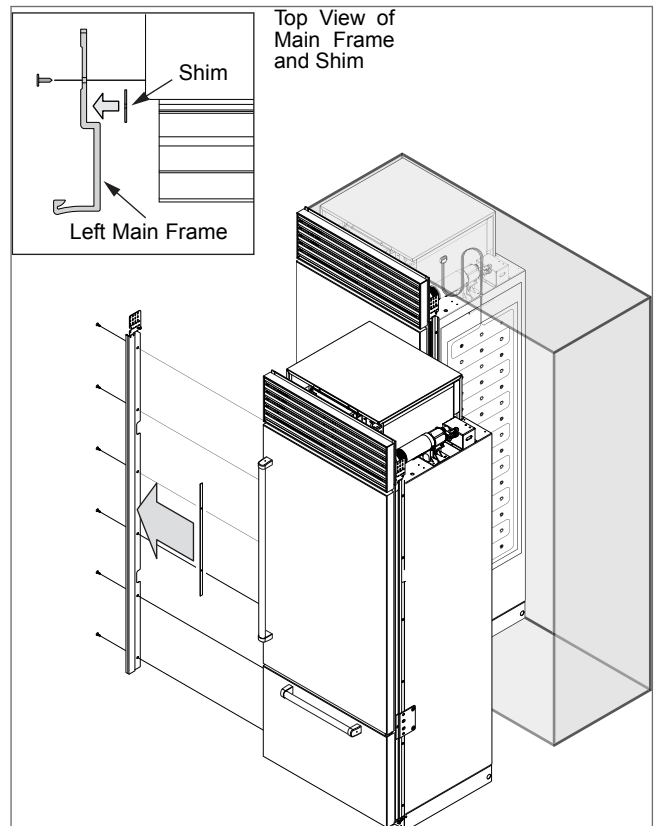
Install the unit into the left-hand side of the rough-in opening as specified in the installation guide.



INSTALL THE MAIN FRAME SHIM

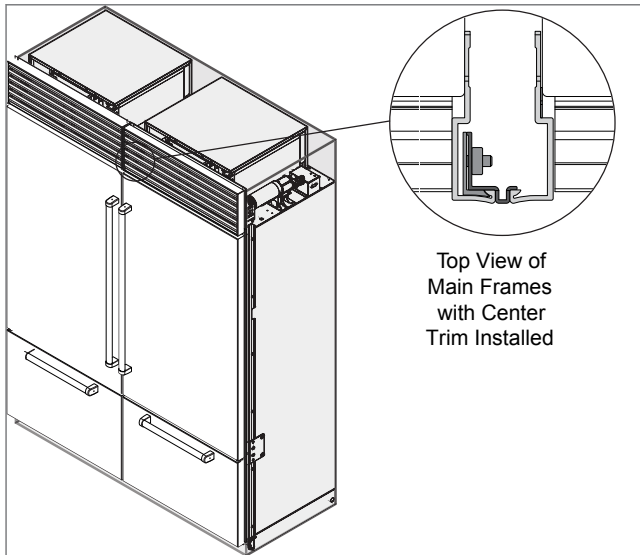
Note: The shim assembly **must** be attached to the rear of the left-hand side main frame of the right-hand unit.

- 1 Remove the left-side main frame from the right-hand unit.
- 2 Remove the backing paper from the double-stick tape that is attached to the main frame shim.
- 3 Align the shim to the main frame so the two holes in the shim are at the same height as the two middle main frame mounting holes. Make sure the shim is tight to the bend in the main frame, and the shim is in front of the section of the main frame with the mounting holes.
- 4 Attach the shim to the main frame. Make sure the holes in the shim are next to but not over the main frame mounting holes.
- 5 Reattach the left-side main frame to the right-hand unit.



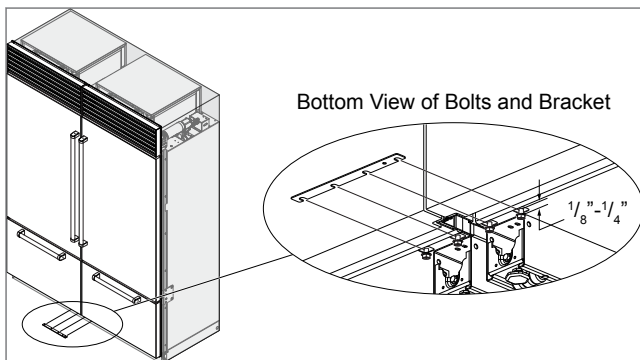
INSTALL THE SECOND UNIT TO THE RIGHT OF THE FIRST

Install, level, and align the unit until its main frame bumps against the flange of the center trim piece, and the bottom of the main frame aligns with the bottom of the center trim piece.



JOIN THE UNITS TOGETHER AT THE BOTTOM

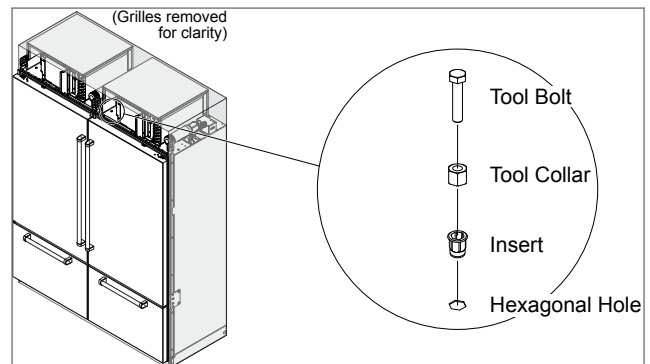
- 1 Using a $\frac{1}{2}$ " wrench, install or adjust the bolts at the bottom adjoining corners of the appliances so that there is a $\frac{1}{8}$ " (3 mm) to $\frac{1}{4}$ " (6 mm) gap between the bolt heads and the unit shell bottom.
 - **For All-Refrigerator and All-Freezer Models:** Loosen the four bolts (two for each unit).
 - **For Over/Under Models:** Install four $\frac{5}{16}$ " \times $\frac{3}{4}$ " thread-forming screws (two for each unit).
- 2 Align the four notches of the dual-installation bottom bracket with the four bolts at the bottom adjoining corners of the appliances.
- 3 Push the bracket into position.
- 4 Tighten the bolts.



INSTALL THE THREADED INSERTS AT THE TOP (FOR OVER/UNDER MODELS)

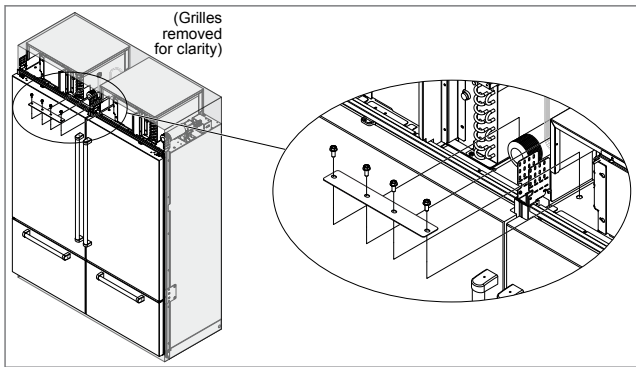
Note: For all-refrigerator and all-freezer models, the threaded inserts are already installed at the top. Skip these instructions.

- 1 Open both grilles, and locate the hexagonal holes at the top adjoining corners of the units (two for each unit).
- 2 For each of the hexagonal holes:
 - a) Use a small screwdriver or similar tool to remove the foam insulation from each hole to a depth of no more than $\frac{1}{2}$ " (13 mm).
 - b) Screw the thread insert installation tool into a threaded insert.
 - c) Position the threaded insert over one of the hexagonal holes, and tap the threaded insert into the hole.
 - d) Using a $\frac{1}{2}$ " wrench at the tool bolt top and a $\frac{9}{16}$ " open-end wrench at the collar, spin the tool bolt clockwise while holding the collar stationary. Stop when it will spin no further.
 - e) Remove the tool from the insert.



JOIN THE UNITS TOGETHER AT THE TOP

- 1 Working the dual-installation top bracket in from the side, line up the holes of the top bracket with the threaded inserts at the top adjoining corners of the appliances.
- 2 Insert four $\frac{5}{16}$ -18 \times $\frac{3}{4}$ " Tensilock bolts through the bracket into the threaded inserts.
- 3 Tighten the bolts.



SECURE THE GRILLE FRAMES TOGETHER

- 1 Secure the grilles together by inserting the #10-24 \times $2\frac{1}{4}$ " machine screw into the upper rear holes in the grille brackets.
- 2 Attach the #10-24 nut to the machine screw, and tighten it.
- 3 Close the grilles.

