



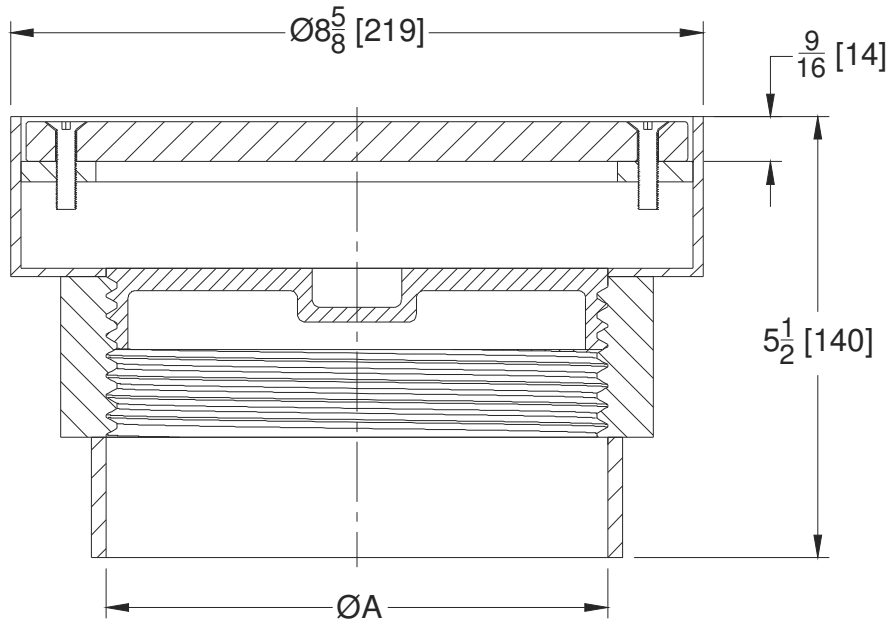
**Z1840-8B**  
**8" [203] DIAMETER ROUND INDUSTRIAL**  
**FLOOR CLEANOUT**

SPECIFICATION SHEET

TAG \_\_\_\_\_

Dimensional Data (inches and [ mm ]) are Subject to Manufacturing Tolerances and Change Without Notice

Approx. Wt. Lbs. [kg]
20 [9]



**Engineering Specification: Z1840-8B**

8-5/8 [219] Diameter, 12 gauge, type 304 stainless steel, round industrial sanitary cleanout features heavy-duty grate (1/2 [13] thick plate), PVC plug, and bead blasted finish. Drain meets U.S. FDA standards for corrosion resistance.

**Options** (Check/specify appropriate options)

**Pipe Size (ØA)** (Specify type/size) **Outlet**

3-4-6 [76-102-152]  BW Butt-Weld

3-4-6 [76-102-152]  NH No-Hub

**Prefixes**

Z Type 304 (CF8) Stainless Steel\*

ZM Type 316 (CF8M) Stainless Steel

**Suffixes**

-A Adjustable Threaded Outlet

\* Regularly furnished unless otherwise specified.