



Z1750-SDC

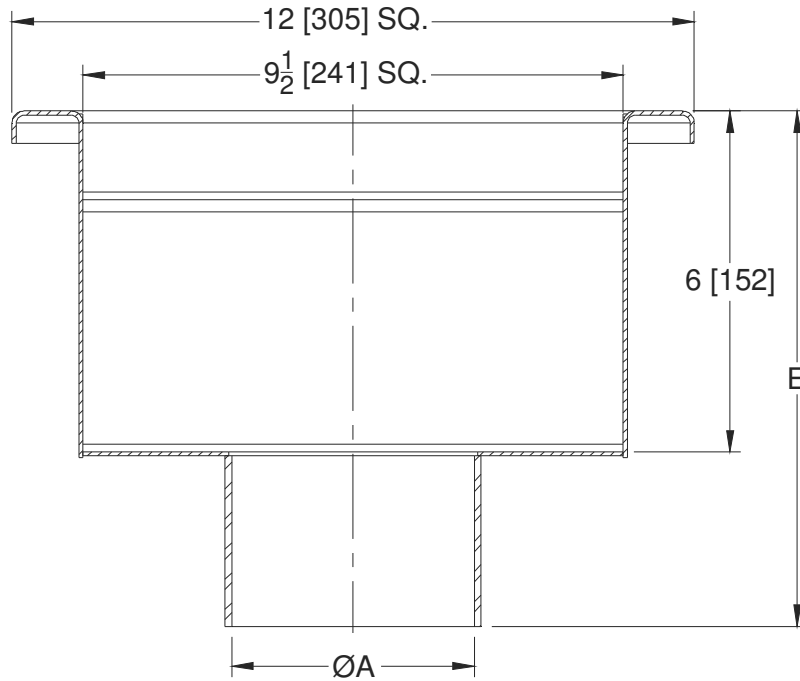
12" x 12" x 6" [305 x 305 x 152] SQUARE INDUSTRIAL FLOOR SINK

SPECIFICATION SHEET

TAG _____

Dimensional Data (inches and [mm]) are Subject to Manufacturing Tolerances and Change Without Notice

Approx. Wt. Lbs. [kg]
10 [5]



Engineering Specification: Z1750-SDC

12" X 12" X 6" [305 x 305 x 152] Deep, 14 gauge, type 304 stainless steel, loose set full grate stainless steel sediment basket. Drain meets U.S. FDA standards for corrosion resistance.

Options (Check/specify appropriate options)

Pipe Size (ØA) (Specify size) **Outlet**
2-3-4 [51-76-102] ___ NH No-Hub

Prefixes

- ___ Z Type 304 (CF8) Stainless Steel*
- ___ ZM Type 316 (CF8M) Stainless Steel

Suffixes

- ___ -A Adjustable Threaded Outlet
- ___ -BF Butterfly Lock Sediment Basket
- ___ -KC Anchor Flange w/ Seepage Holes and Clamp Collar
- ___ -MG EZLock Magnetic Lock System
- ___ -P 1/2 [13] Trap Primer Connection

Grate Options

- ___ -2 1/2 Grate
- ___ -3 3/4 Grate

* Regularly furnished unless otherwise specified.