

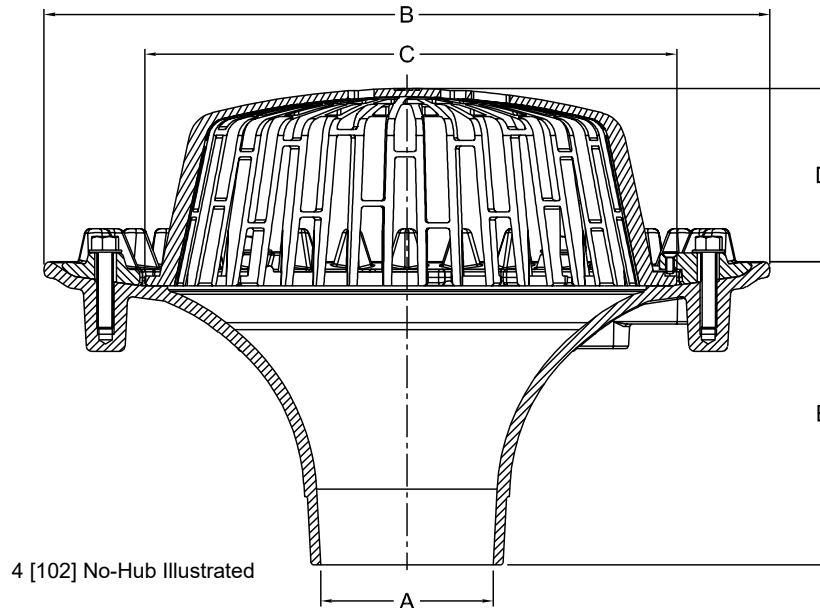


Z100F FLOFORCE® HIGH PERFORMANCE ROOF DRAIN

DESIGNED TO DRIVE EFFICIENT FLOW PERFORMANCE

SPECIFICATION SHEET
TAG _____

Design and Dimensional Data (inches and [mm]) are Subject to Manufacturing Tolerances and Change Without Notice



A Outlet Size In. [mm]	B Body Diameter In [mm]	C Dome Diameter In [mm]	D Height, Roof to Dome Top In [mm]	Weight lbs [kg]	Dome Open Area Sq. In. [cm ²]
2,3,4 [51,76,102]	16-9/16 [421]	12-5/16 [313]	4 [102]	31 [14]	121 [780]
6,8 [152, 203]	20-3/32 [510]	15-7/8 [403]	6 [152]	43 [19]	214 [1380]

ENGINEERING SPECIFICATION: ZURN Z100F

FLOFORCE® High efficient flow performing roof drain. Roof drain engineered to evacuate water off of roof structure by incorporating a smooth funnel-shaped interior surface, providing a seamless transition to outlet connection, and eliminating internal obstructions. Complete with Dura-Coated cast iron body with combination membrane flashing clamp/gravel guard and low silhouette Poly-Dome. Flashing clamp/gravel guard provided to prevent debris from entering the drain while allowing water to immediately pass through at zero head level. Poly-dome designed to maximize effective open area and promote efficient flow. (Refer to pages 2-6 for flow curves.)

OPTIONS (Check/specify appropriate options)

PIPE SIZE

2, 3, 4 [51, 76, 102]
6, 8 [152, 203]
2, 3, 4 [51, 76, 102]
6 [152]
2, 3, 4 [51, 76, 102]
6, 8 [152, 203]
3, 4 [76, 102]
6 [152]

(Specify size/type) OUTLET

____ NH No-Hub
____ NH No-Hub
____ NL Neo-Loc
____ NL Neo-Loc
____ IP Threaded
____ IP Threaded
____ IC Inside Caulk
____ IC Inside Caulk

E BODY HT. DIM.

6-15/16 [176]
7-7/16 [189]
7-3/8 [187]
8-1/32 [204]
5-15/16, 6-3/16, 6-5/16 [151, 157, 160]
6-11/16, 6-3/4 [170, 171]
5-13/16 [148]
6-1/16 [154]

PREFIXES

____ Z D.C.C.I. Body with Poly-Dome* ____ ZA D.C.C.I. Body with Aluminum Dome ____ ZC D.C.C.I. Body with Cast Iron Dome

SUFFIXES

____ -AR Acid Resistant Epoxy Coated	____ -SC Secondary Clamp Collar
____ -C Underdeck Clamp	____ -TC Neo-Loc Test Cap Gasket
____ -DP Top-Set® Deck Plate (Replaces both the -C and -R)	(2, 3, 4 [51, 76, 102] NL Bottom Outlet Only)
____ -DR Top-Set® Drain Riser	____ -VP Vandal-Proof Secured Top
____ -E Static Extension 1 [25] thru 4 [102] (Specify Ht.)	____ -84 Stainless Steel Perforated Gravel Guard
____ -EA Adjustable Extension Assembly	____ -85 Stainless Steel Perforated Extension
2-1/8 [54] thru 3-1/2 [89]	____ -89 2 [51] High Overflow Dam
____ -G Galvanized Cast Iron	____ -89-3 3 [76] High Overflow Dam
____ -R Roof Sump Receiver	____ -89-4 4 [102] High Overflow Dam

* Regularly furnished unless otherwise specified

⚠ WARNING: Cancer and Reproductive Harm - www.P65Warnings.ca.gov

⚠ ADVERTENCIA: Cáncer y daño reproductivo - www.P65Warnings.ca.gov

⚠ AVERTISSEMENT: Cancer et effets néfastes sur la reproduction - www.P65Warnings.ca.gov

Zurn Industries, LLC | Specification Drainage Operation
1801 Pittsburgh Avenue, Erie, PA 16502, Ph. 855.663.9876

In Canada | Zurn Industries Limited
7900 Goreway Drive, Unit 10, Brampton, Ontario L6T 5W6, Ph. 877.892.5216

www.zurn.com

Rev.	F
Date:	08/08/2023
C.N. No.	145453
Patent	zurn.com/patents
Prod. Dwg. No.	Z100F FLOFORCE® Page 1 of 6



Z100F

FLOFORCE® HIGH PERFORMANCE ROOF DRAIN DESIGNED TO DRIVE EFFICIENT FLOW PERFORMANCE

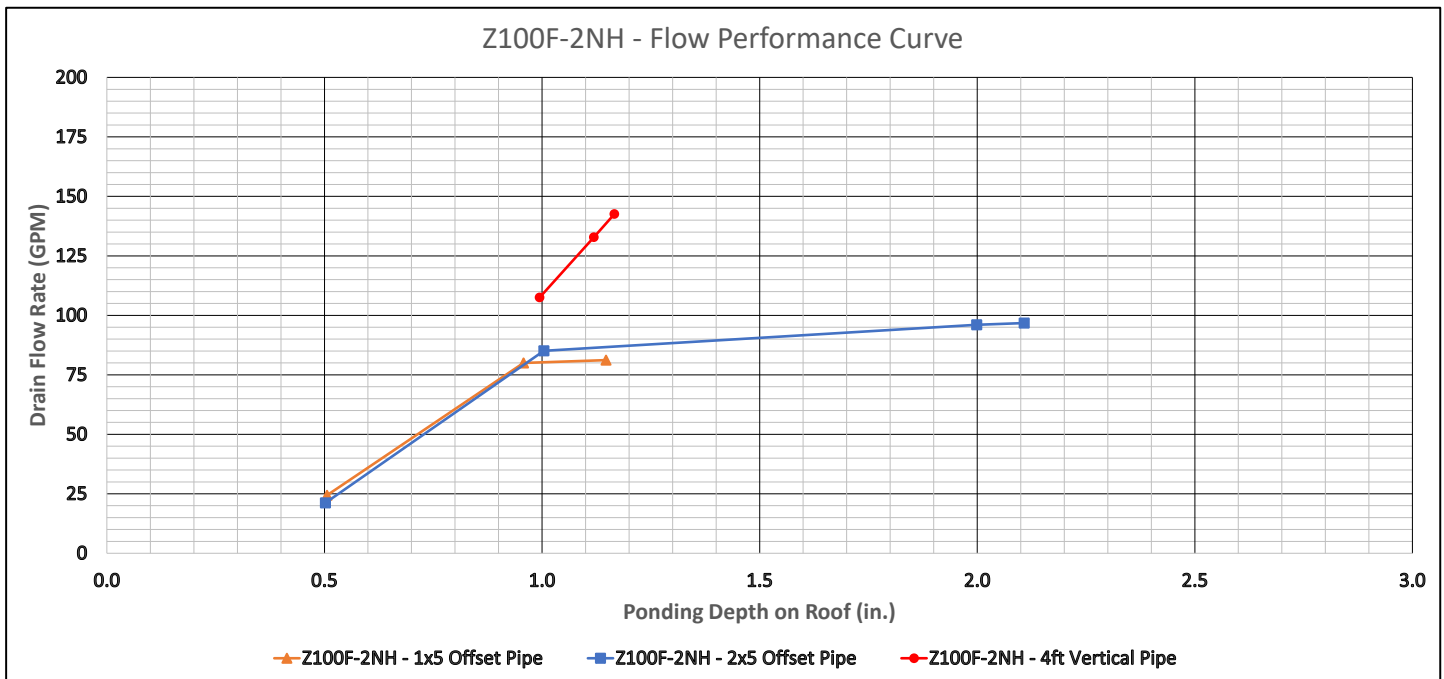
Design and Dimensional Data (inches and [mm]) are Subject to Manufacturing Tolerances and Change Without Notice

Note: Results obtained from the application of flow measurement procedures specified in ASME A112.6.4/CSA B79.4 indicate a flow rate achieved under laboratory conditions using a 1219 mm (48 in) vertical discharge pipe; all added elements of drainage design may increase or decrease the flow rates reported. Variables such as wind, vortices, debris, roof design, roof obstructions, and slope, can significantly change the roof drain flow rate. Designers are advised to consider these and other possible variables in roof drainage design.

1x5 Offset Pipe Outlet		2x5 Offset Pipe Outlet		4ft Vertical Pipe Outlet	
Roof Ponding Depth (in.)	Flow Rate (GPM)	Roof Ponding Depth (in.)	Flow Rate (GPM)	Roof Ponding Depth (in.)	Flow Rate (GPM)
0.51	24.38	0.50	21.20	0.99	107.51
0.96	79.97	1.00	85.12	1.12	132.80
1.15	81.16	2.00	96.00	1.17	142.59
-	-	2.11	96.76	-	-



Z100F-2NH



⚠ WARNING: Cancer and Reproductive Harm - www.P65Warnings.ca.gov
⚠ ADVERTENCIA: Cáncer y daño reproductivo - www.P65Warnings.ca.gov
⚠ AVERTISSEMENT: Cancer et effets néfastes sur la reproduction - www.P65Warnings.ca.gov

Zurn Industries, LLC | Specification Drainage Operation
1801 Pittsburgh Avenue, Erie, PA 16502, Ph. 855.663.9876

In Canada | Zurn Industries Limited
7900 Goreway Drive, Unit 10, Brampton, Ontario L6T 5W6, Ph. 877.892.5216

www.zurn.com

Rev.	F
Date:	08/08/2023
C.N. No.	145453
Patent	zurn.com/patents
Prod. Dwg. No.	Z100F FLOFORCE® Page 2 of 6



Z100F

FLOFORCE® HIGH PERFORMANCE ROOF DRAIN
DESIGNED TO DRIVE EFFICIENT FLOW PERFORMANCE

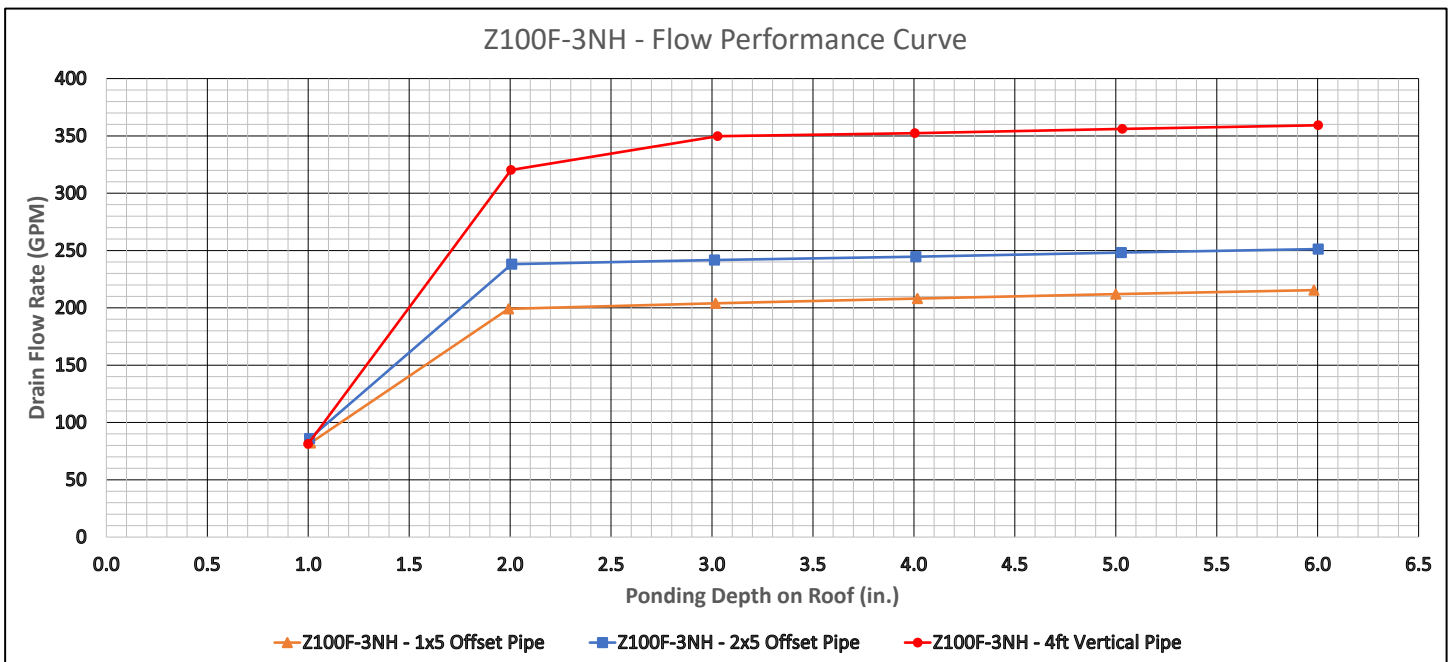
Design and Dimensional Data (inches and [mm]) are Subject to Manufacturing Tolerances and Change Without Notice

Note: Results obtained from the application of flow measurement procedures specified in ASME A112.6.4/CSA B79.4 indicate a flow rate achieved under laboratory conditions using a 1219 mm (48 in) vertical discharge pipe; all added elements of drainage design may increase or decrease the flow rates reported. Variables such as wind, vortices, debris, roof design, roof obstructions, and slope, can significantly change the roof drain flow rate. Designers are advised to consider these and other possible variables in roof drainage design.

1x5 Offset Pipe Outlet		2x5 Offset Pipe Outlet		4ft Vertical Pipe Outlet	
Roof Ponding Depth (in.)	Flow Rate (GPM)	Roof Ponding Depth (in.)	Flow Rate (GPM)	Roof Ponding Depth (in.)	Flow Rate (GPM)
1.01	82.11	1.01	86.03	1.00	81.33
1.99	199.19	2.01	238.08	2.00	320.28
3.02	203.94	3.01	241.77	3.03	349.76
4.02	208.12	4.01	244.59	4.00	352.40
5.00	211.92	5.03	248.20	5.03	356.12
5.98	215.47	6.00	251.24	6.00	359.25



Z100F-3NH



⚠ WARNING: Cancer and Reproductive Harm - www.P65Warnings.ca.gov
⚠ ADVERTENCIA: Cáncer y daño reproductivo - www.P65Warnings.ca.gov
⚠ AVERTISSEMENT: Cancer et effets néfastes sur la reproduction - www.P65Warnings.ca.gov

Zurn Industries, LLC | Specification Drainage Operation
1801 Pittsburgh Avenue, Erie, PA 16502, Ph. 855.663.9876

In Canada | Zurn Industries Limited
7900 Goreway Drive, Unit 10, Brampton, Ontario L6T 5W6, Ph. 877.892.5216

www.zurn.com

Rev.	F
Date:	08/08/2023
C.N. No.	145453
Patent	zurn.com/patents
Prod. Dwg. No.	Z100F FLOFORCE® Page 3 of 6



Z100F

FLOFORCE® HIGH PERFORMANCE ROOF DRAIN
DESIGNED TO DRIVE EFFICIENT FLOW PERFORMANCE

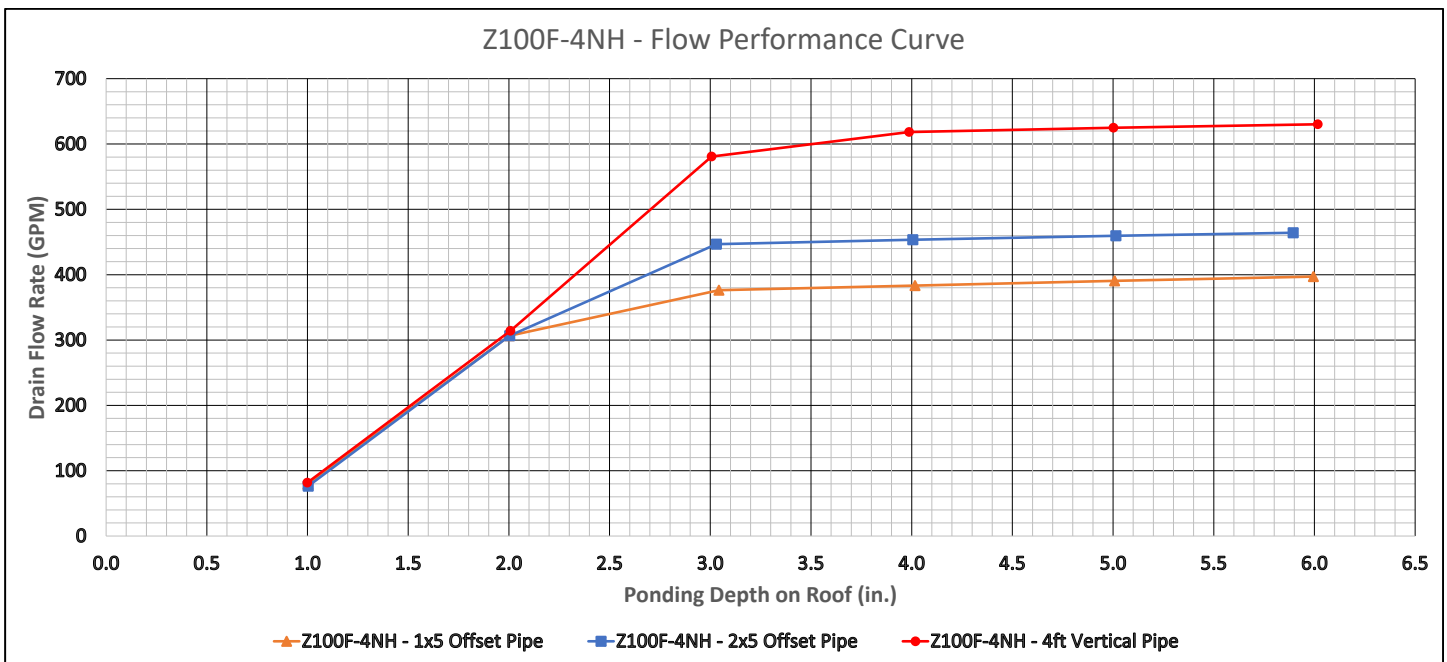
Design and Dimensional Data (inches and [mm]) are Subject to Manufacturing Tolerances and Change Without Notice

Note: Results obtained from the application of flow measurement procedures specified in ASME A112.6.4/CSA B79.4 indicate a flow rate achieved under laboratory conditions using a 1219 mm (48 in) vertical discharge pipe; all added elements of drainage design may increase or decrease the flow rates reported. Variables such as wind, vortices, debris, roof design, roof obstructions, and slope, can significantly change the roof drain flow rate. Designers are advised to consider these and other possible variables in roof drainage design.

1x5 Offset Pipe Outlet		2x5 Offset Pipe Outlet		4ft Vertical Pipe Outlet	
Roof Ponding Depth (in.)	Flow Rate (GPM)	Roof Ponding Depth (in.)	Flow Rate (GPM)	Roof Ponding Depth (in.)	Flow Rate (GPM)
1.00	79.31	1.00	76.30	1.00	81.68
2.00	306.65	2.00	306.58	2.01	314.14
3.04	376.36	3.03	446.73	3.01	580.74
4.02	383.20	4.01	453.45	3.99	618.29
5.01	390.66	5.01	459.53	5.00	624.89
5.99	397.10	5.89	464.23	6.02	630.21



Z100F-4NH



⚠ WARNING: Cancer and Reproductive Harm - www.P65Warnings.ca.gov
⚠ ADVERTENCIA: Cáncer y daño reproductivo - www.P65Warnings.ca.gov
⚠ AVERTISSEMENT: Cancer et effets néfastes sur la reproduction - www.P65Warnings.ca.gov

Zurn Industries, LLC | Specification Drainage Operation
1801 Pittsburgh Avenue, Erie, PA 16502, Ph. 855.663.9876

In Canada | Zurn Industries Limited
7900 Goreway Drive, Unit 10, Brampton, Ontario L6T 5W6, Ph. 877.892.5216

www.zurn.com

Rev.	F
Date:	08/08/2023
C.N. No.	145453
Patent	zurn.com/patents
Prod. Dwg. No.	Z100F FLOFORCE® Page 4 of 6



Z100F

FLOFORCE® HIGH PERFORMANCE ROOF DRAIN
DESIGNED TO DRIVE EFFICIENT FLOW PERFORMANCE

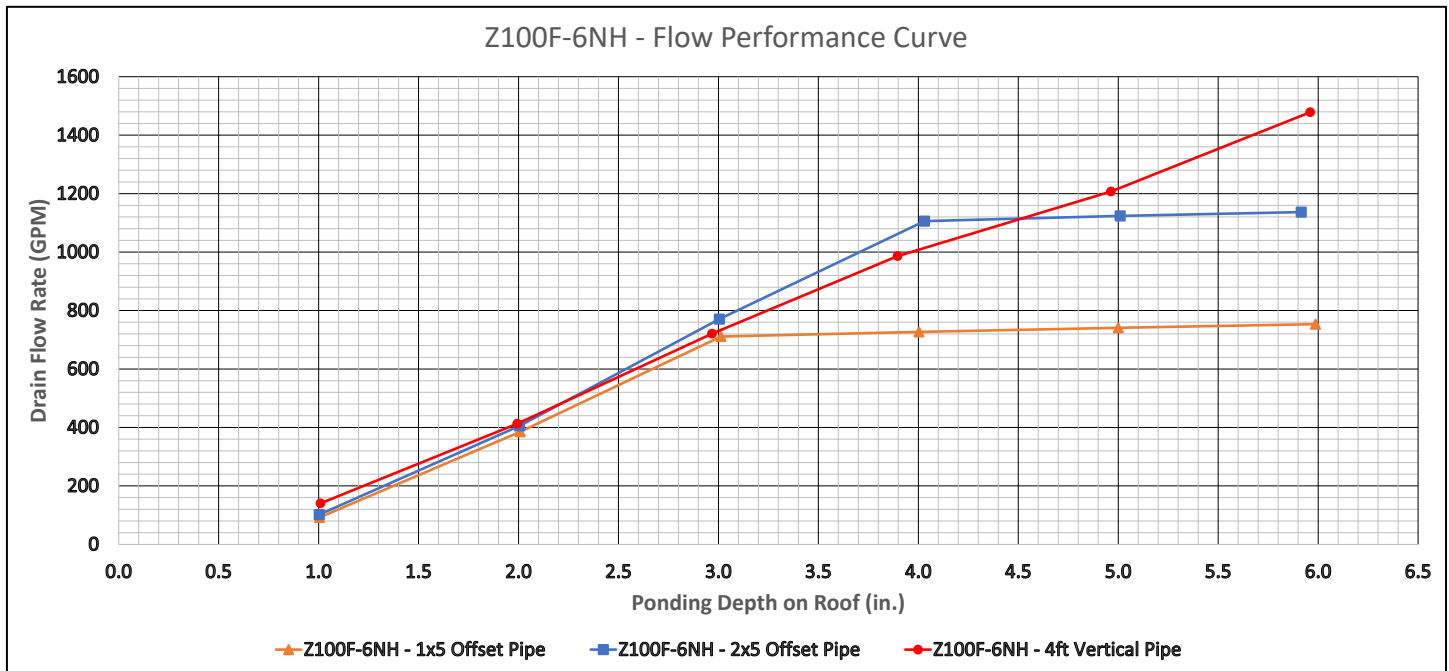
Design and Dimensional Data (inches and [mm]) are Subject to Manufacturing Tolerances and Change Without Notice

Note: Results obtained from the application of flow measurement procedures specified in ASME A112.6.4/CSA B79.4 indicate a flow rate achieved under laboratory conditions using a 1219 mm (48 in) vertical discharge pipe; all added elements of drainage design may increase or decrease the flow rates reported. Variables such as wind, vortices, debris, roof design, roof obstructions, and slope, can significantly change the roof drain flow rate. Designers are advised to consider these and other possible variables in roof drainage design.

1x5 Offset Pipe Outlet		2x5 Offset Pipe Outlet		4ft Vertical Pipe Outlet	
Roof Ponding Depth (in.)	Flow Rate (GPM)	Roof Ponding Depth (in.)	Flow Rate (GPM)	Roof Ponding Depth (in.)	Flow Rate (GPM)
1.00	92.08	1.00	102.10	1.01	140.49
2.01	384.97	2.00	405.17	1.99	412.62
3.01	710.94	3.01	770.96	2.97	720.61
4.00	726.79	4.03	1106.19	3.90	986.09
5.00	741.10	5.01	1123.76	4.96	1206.99
5.99	753.63	5.91	1136.69	5.96	1478.29



Z100F-6NH



⚠ WARNING: Cancer and Reproductive Harm - www.P65Warnings.ca.gov
⚠ ADVERTENCIA: Cáncer y daño reproductivo - www.P65Warnings.ca.gov
⚠ AVERTISSEMENT: Cancer et effets néfastes sur la reproduction - www.P65Warnings.ca.gov

Zurn Industries, LLC | Specification Drainage Operation
1801 Pittsburgh Avenue, Erie, PA 16502, Ph. 855.663.9876

In Canada | Zurn Industries Limited
7900 Goreway Drive, Unit 10, Brampton, Ontario L6T 5W6, Ph. 877.892.5216

www.zurn.com

Rev.	F
Date:	08/08/2023
C.N. No.	145453
Patent	zurn.com/patents
Prod. Dwg. No.	Z100F FLOFORCE® Page 5 of 6



Z100F

FLOFORCE® HIGH PERFORMANCE ROOF DRAIN
DESIGNED TO DRIVE EFFICIENT FLOW PERFORMANCE

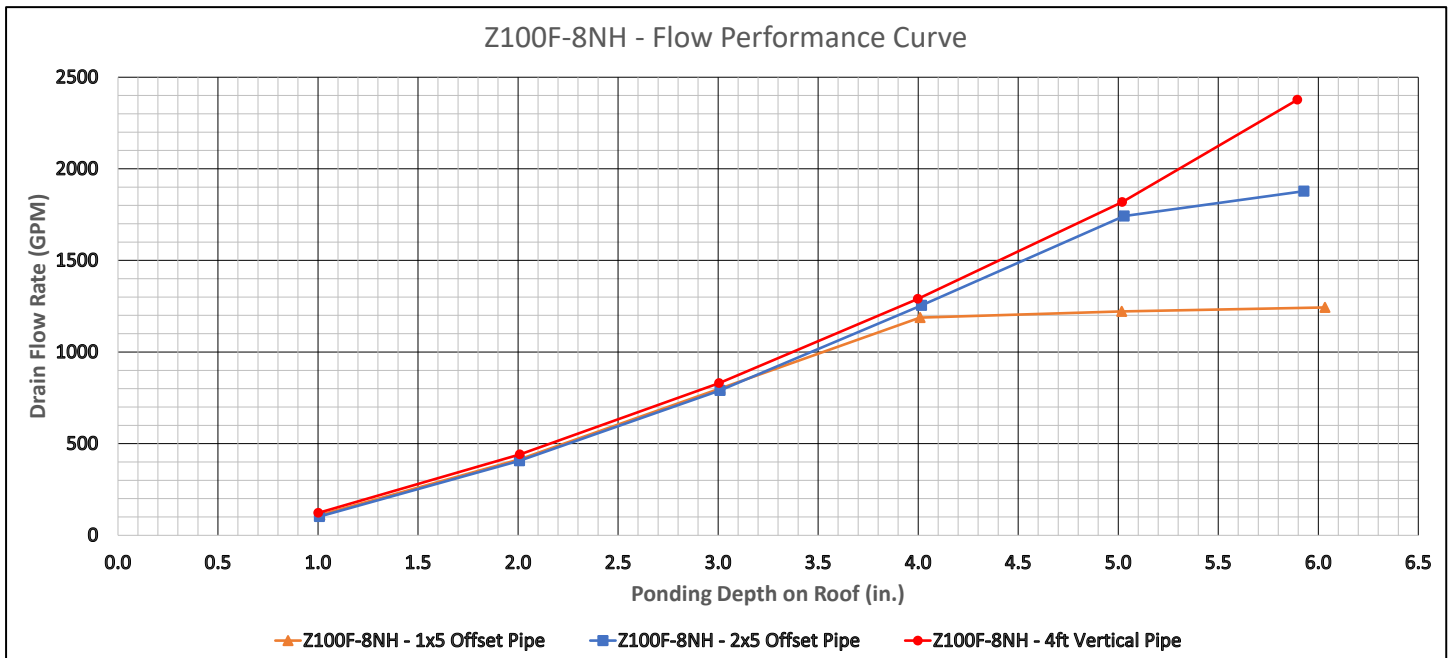
Design and Dimensional Data (inches and [mm]) are Subject to Manufacturing Tolerances and Change Without Notice

Note: Results obtained from the application of flow measurement procedures specified in ASME A112.6.4/CSA B79.4 indicate a flow rate achieved under laboratory conditions using a 1219 mm (48 in) vertical discharge pipe; all added elements of drainage design may increase or decrease the flow rates reported. Variables such as wind, vortices, debris, roof design, roof obstructions, and slope, can significantly change the roof drain flow rate. Designers are advised to consider these and other possible variables in roof drainage design.

1x5 Offset Pipe Outlet		2x5 Offset Pipe Outlet		4ft Vertical Pipe Outlet	
Roof Ponding Depth (in.)	Flow Rate (GPM)	Roof Ponding Depth (in.)	Flow Rate (GPM)	Roof Ponding Depth (in.)	Flow Rate (GPM)
1.01	110.90	1.01	102.17	1.00	122.23
2.01	414.12	2.01	406.68	2.01	440.68
3.01	800.68	3.01	790.24	3.00	829.67
4.01	1188.29	4.02	1254.48	4.00	1289.54
5.02	1221.28	5.03	1742.09	5.02	1818.32
6.03	1242.80	5.93	1878.10	5.90	2376.50



Z100F-8NH



⚠ WARNING: Cancer and Reproductive Harm - www.P65Warnings.ca.gov
⚠ ADVERTENCIA: Cáncer y daño reproductivo - www.P65Warnings.ca.gov
⚠ AVERTISSEMENT: Cancer et effets néfastes sur la reproduction - www.P65Warnings.ca.gov

Zurn Industries, LLC | Specification Drainage Operation
1801 Pittsburgh Avenue, Erie, PA 16502, Ph. 855.663.9876

In Canada | Zurn Industries Limited
7900 Goreway Drive, Unit 10, Brampton, Ontario L6T 5W6, Ph. 877.892.5216

www.zurn.com

Rev. F
Date: 08/08/2023
C.N. No. 145453
Patent zurn.com/patents
Prod. | Dwg. No. Z100F FLOFORCE® Page 6 of 6