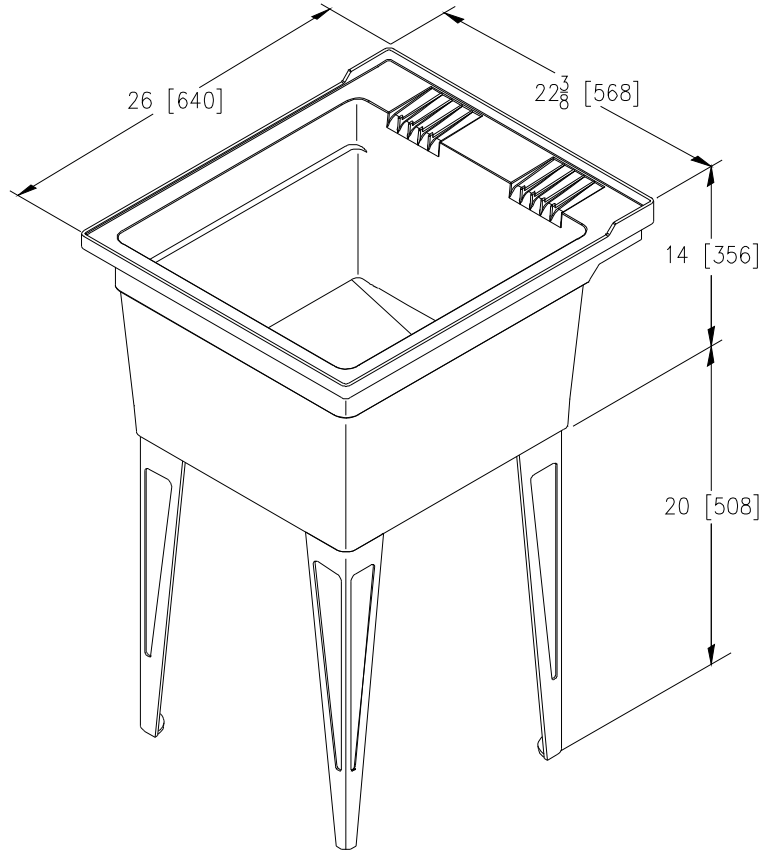




MS2620

Multi-Purpose Sink

Dimensional Data (inches and [mm]) are Subject to Manufacturing Tolerances and Change Without Notice



Model Number	Description
MS2620-F	Floor Mounted Multi-Purpose Sink
MS2620-W	Wall Mounted Multi-Purpose Sink*

Engineering Specification: MS2620

Single compartment, multi-purpose sink manufactured from an innovative foam process. The polypropylene structural composite sink utilizes this unique molding process, producing seamless corners and edges while providing unrivaled strength. Floor mounted units are equipped with coated steel, self-leveling legs.

*Wall-mounting brackets with hardware and filler panels included.

OPTIONS (Check/specify appropriate options)

SUFFIXES

- ___ -AP Accessory Package
- ___ -DF1 Dual Handle Deck Faucet
- ___ -FA Top Supplied Adapter Faucet
- ___ -FP Filler Panel
- ___ -PF Pull-out Lead Free Faucet (JP2620-PF-XL)
- ___ -PL Polyethylene Legs
- ___ -TS Top Supplied Faucet



OPTIONAL COLORS (Gray-Standard)

- ___ -AW Appliance White