

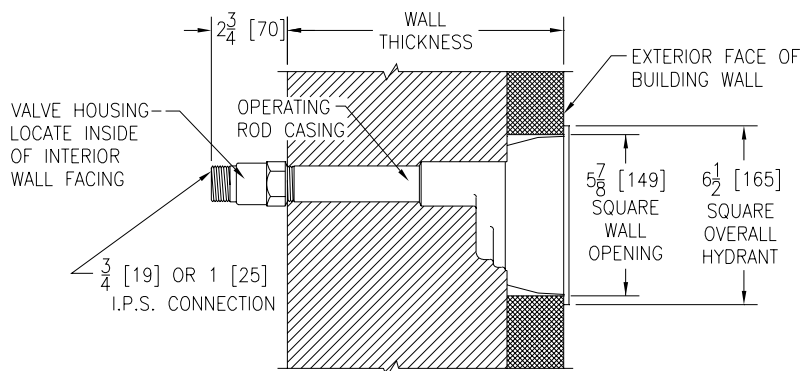
**TYPICAL INSTALLATIONS**

**ECOLOtrol WALL HYDRANT**

**Encased, Non-Freeze**

**Z1300**

Zurn Z1300 Ecolotrol wall hydrants provide a flush, fully enclosed, fully protected installation in any type wall construction. Hinged box cover can be locked to prevent vandalism. The same key that unlocks cover operates hydrant. Amply wide flange of box extends over wall opening and provides neat, flush installation for modern building facades.



**ECOLOtrol WALL HYDRANT WITH CERAMIC DISC**

**Exposed, Non-Freeze, Automatic Draining, Anti-Siphon**

**Z1321**

Use Z1321 hydrant where the added security of a box hydrant is not required. Optional wall clamp shown to anchor hydrant in wall. Stainless steel face provides for flush installation and years of non-corroded appearance.

