

Architectural/Engineering Specification:

Zurn Connected Flush Valves transmit data 24/7 to the Zurn plumbSMART™ web portal and mobile app. Proactively monitor your flush activations and water usage, receive real-time alerts for preset high and low usage parameters, and access system data for trends and predictive maintenance anytime and anywhere.

AquaSense® Sensor Flush Valves are ideal for high-use applications where durability and hands-free operation are necessary. ADA compliant, battery powered, sensor operated for retrofit and new construction. Unit is furnished with a clog resistant piston and manual override button. Included as standard are 4 “AA” Lithium batteries.

Product Features:

plumbSMART™ Portal

- Know water consumption
- Track uses per fixture
- Receive real-time alerts
- Manage maintenance tasks
- Receive insights on your data

Flush Valve

- Proprietary dezincification resistant low lead brass alloy
- Chloramine resistant Internal seals

Technical Specification:

Flush Valve and Connected Endpoint:

- 4 Shared “AA” Lithium batteries (included)
- 3 year battery life
- Endpoint communicates wirelessly to Zurn gateway

Zurn Gateway:

- Communicates via Ethernet or LTE
- Works with all Zurn connected devices
- Connects all endpoints up to 1,000 ft radius
- After purchase request your gateway at: zurn.com/plumbsmart-gateway or Call 1-844-987-6737



Compliance and Certification:

- ADA Compliant - Operational Controls
- WaterSense Compliant
- ASSE-1037/ASME A112.1037 / CSAB125.37



*This product should be used with a WaterSense labeled counterpart with a compatible flush volume to ensure that the entire system meets the requirements for water efficiency and performance.

WHEN INSTALLING IN A HANDICAP STALL:

Per the ADA Guidelines (section 604.9.4) it is recommended that the grab bars be split or shifted to the wide side of the stall. If grab bars must be present over the valve, use the alternate ADA installation as shown on the next page.



Flow Options:

	Flush Volume gpf [L-pf]	Dual Flush	WaterSense Labeled*
-ONE	1.1 gpf [4.1 Lpf]		✓
-EV	1.28 gpf [4.8 Lpf]		✓
-WS1	1.6 gpf [6.1 Lpf]	1.6/1.1 gpf [6.1/4.1 Lpf]	

Suffix Options:

-DF Dual Flush Option (See Chart Above)

Gateway Options:

(Required & Sold Separately)

-LTE ZGW-LORA-W1-LTE
-Ethernet ZGW-LORA-W1-ETH

Note: plumbSMART™ is free-to-connect to a basic plan with an option to upgrade to a premium plan.

Note: LTE charges will apply to basic plan.

Valve Height Options:

	A
Standard	11 1/2" [292]
-1	16" [406]
-2	24" [610]
-3	27" [686]

Architectural/Engineering Approval

The information contained in this document is subject to change without notice. Please contact Zurn for most up to date information.

How it works:

Integrated sensors continuously monitor flush valve activations and water usage. This data is transmitted to the Zurn gateway via LoRa communication. The Zurn gateway passes the data into the Zurn cloud where the data is enriched and presented in the plumbSMART web portal and mobile app. Facilities managers and/or maintenance personnel can view all data and trends in the plumbSMART™ portal and may opt to receive real-time alerts via email, text message and/or push notifications if any of these readings exceed customizable parameters for high hourly or daily usage levels. All notifications and alert parameters are adjustable via the plumbSMART™ portal. A maintenance planning tool and data insights hub are available in plumbSMART. For more information, visit <https://www.zurn.com/innovation-efficiency/plumbSMART>.

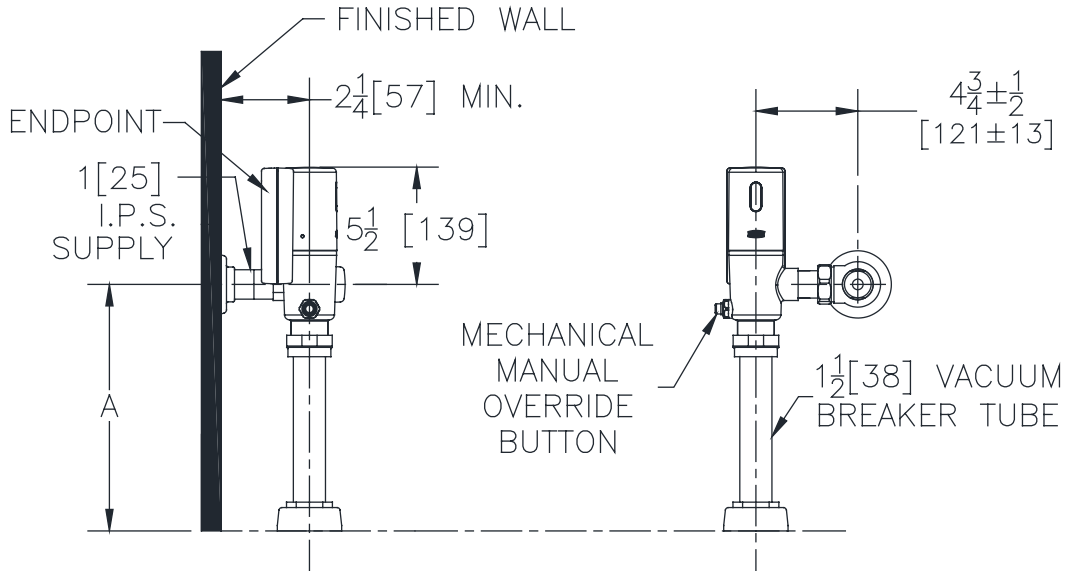
To access the plumbSMART™ portal, a Zurn Gateway must be installed within 1,000 feet of the connected product, and connected products must be registered in the Zurn plumbSMART™ portal. A single Zurn Gateway can be used to connect hundreds of Zurn connected plumbing products.

Connecting to the plumbSMART™ Portal:

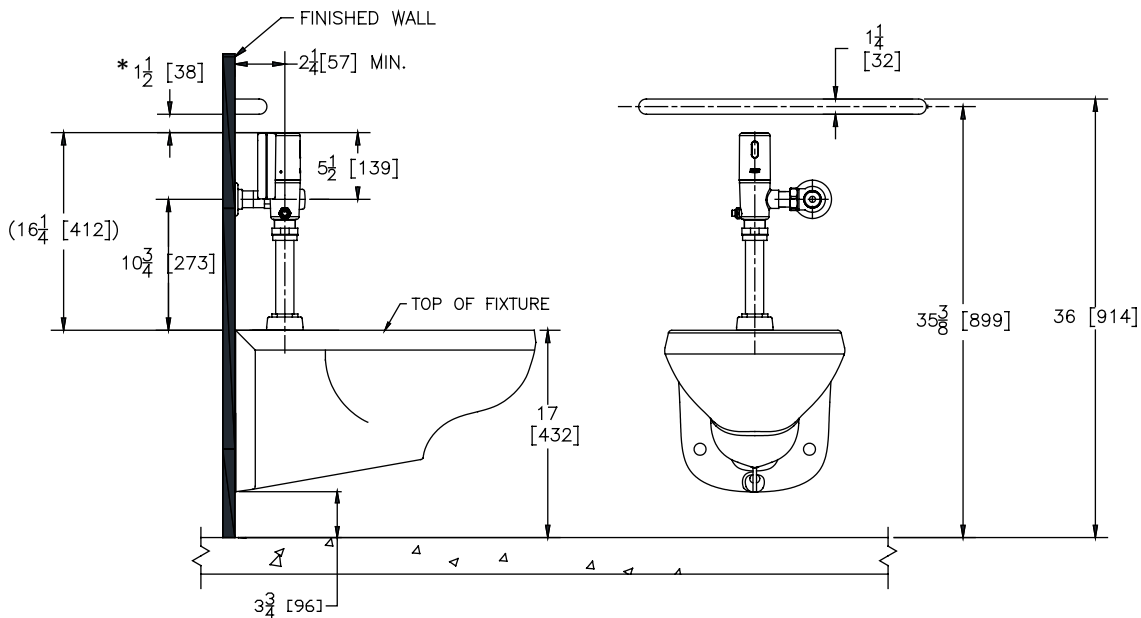
1. Visit www.zurn.com/plumbSMART-connect to save time and money on your installation.
You can also call us at 844-987-6737
2. Provide the serial number and contact name, email address, and basic information about the installation site.
3. We will activate your plumbSMART™ account, set up your enterprise, and give you guidance on how to register each connected product as you install it.
4. We will send a confirmation email with a link, or you can go to plumbsmart.zurn.com to log into your plumbSMART™ account for the first time.
5. Add other users and installers to your plumbSMART™ account.
6. Make sure you and/or your installers have the plumbSMART™ mobile app, which you can download from the iPhone App Store or Google Play.
7. Using the mobile app, scan or enter the serial number to register and locate each connected plumbing product as you install it.
8. Watch the how-to videos in the plumbSMART™ portal's support section if you get stuck, or call us at 844-987-6737 for support.



Rough-in dimensions/Overview dimensions



Alternate ADA Installation



- Water supply rough-in to 10 3/4" (minimum) with grab bar at 36".
- ADA compliance met using 1 1/4" grab bar as shown.
- *ADA compliant minimum gap between wall and grab bar 1 1/2".
- Does not meet California ADA compliance for grab bar height (33" grab bar centerline required)