

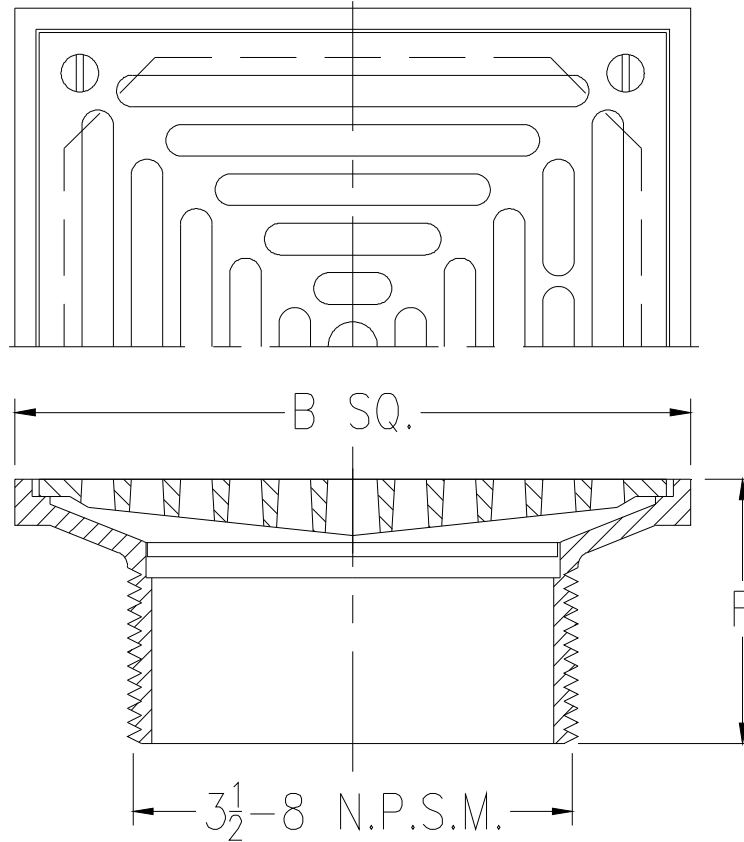


ZS400SS
"TYPE SS" SQUARE STRAINER

SPECIFICATION SHEET

TAG _____

Dimensional Data (inches and [mm]) are Subject to Manufacturing Tolerances and Change Without Notice



Strainer Designation	Dimension in Inches [mm]		Approx. Wt. Lbs. [kg]	Open Area Sq. In. [cm ²]
	Size B	Height F		
-5SS	5 X 5 [127 X 127]	2 [51]	2-1/2 [1]	8-1/2 [55]
-6SS	6 X 6 [152 X 152]	2-1/4 [57]	3-1/2 [2]	13 [84]
-8SS	8 X 8 [203 X 203]		6-1/2 [3]	24-1/2 [158]

ENGINEERING SPECIFICATION: ZURN ZS400SS

"TYPE SS" square adjustable strainer top with heel-proof medium-duty grate.

OPTIONS (Check/specify appropriate options)

PREFIXES

- ___ ZS Type 304 (CF8) Stainless Steel Top*
- ___ ZM Type 316 (CF8M) Stainless Steel Top

SUFFIXES

- ___ -VP Vandal-Proof Secured Top
- ___ -Y Stainless Steel Sediment Bucket

* Regularly furnished unless otherwise specified.