



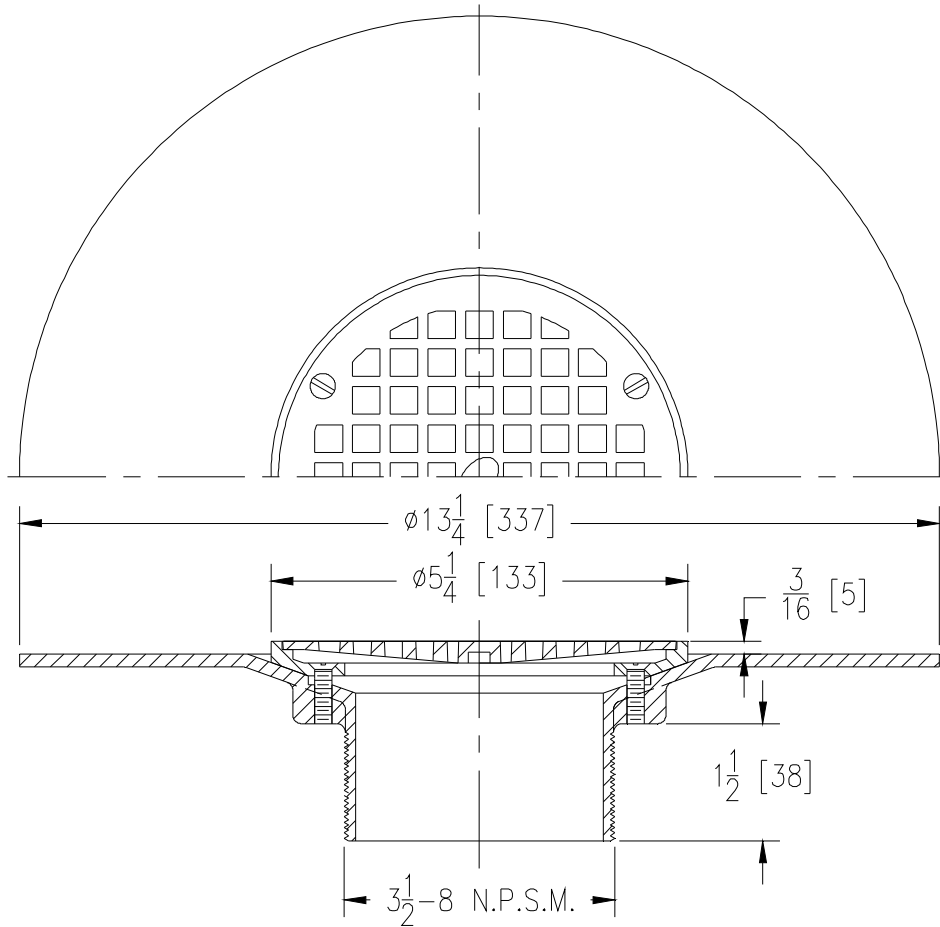
Z400BL

"TYPE BL" ROUND STRAINER W/ DEX-O-TEX FLANGE

SPECIFICATION SHEET

TAG _____

Dimensional Data (inches and [mm]) are Subject to Manufacturing Tolerances and Change Without Notice



Strainer Designation	Top Size Inches B	Approx. Wt. Lbs. [kg]	Open Area Sq. In. [cm ²]
-5BL	5 [127]	5 [2]	7 [45]

ENGINEERING SPECIFICATION: ZURN Z()400BL
 "TYPE BL" round adjustable light-duty strainer with Dura-Coated cast iron 13 [330] diameter latex flange, nickel bronze or polished bronze frame and secured grate. (Specify ZB or ZN finish)

OPTIONS (Check/specify appropriate options)

PREFIXES

- ___ ZB Polished Bronze Top
- ___ ZN Polished Nickel Bronze Top

SUFFIXES

- ___ -CP Chrome Plated Bronze Top
- ___ -PC Protective Cover
- ___ -VP Vandal-Proof Secured Top
- ___ -Y Sediment Bucket

* Regularly furnished unless otherwise specified.