

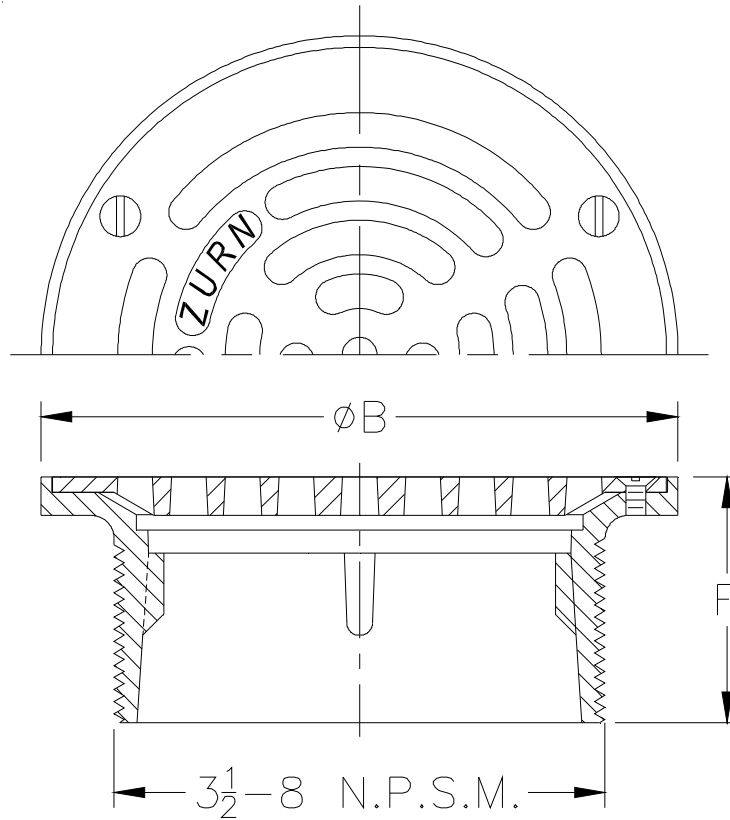


**ZS400BS**  
 "TYPE BS" ROUND STRAINER  
 W/ SLOTTED OPENINGS

SPECIFICATION SHEET

TAG \_\_\_\_\_

Dimensional Data (inches and [ mm ]) are Subject to Manufacturing Tolerances and Change Without Notice



Strainer Designation	Dimensions In Inches [mm]		Approx. Wt. Lbs. [kg.]	Open Area Sq. In. [cm <sup>2</sup> ]
	Size B	Height F		
-5BS	5 [127]	2 [51]	1-1/2 [1/2]	7 [45]
-6BS	6 [152]	2-1/4 [57]	2-1/2 [1]	11 [71]
-7BS	7 [178]	2-5/8 [67]	3 [1]	15 [97]
-8BS	8 [203]	2-5/8 [67]	4-1/2 [2]	20 [129]
-10BS	10 [254]	3 [76]	8 [4]	26-1/2 [174]

**ENGINEERING SPECIFICATION: ZURN ZS400BS**  
 "TYPE BS" round adjustable medium-duty strainer top with heel-proof slotted secured grate.

**OPTIONS** (Check/specify appropriate options)

**PREFIXES**

- \_\_\_ ZS Type 304 (CF8) Stainless Steel Top\*
- \_\_\_ ZM Type 316 (CF8M) Stainless Steel Top

**SUFFIXES**

- \_\_\_ -VP Vandal-Proof Secured Top
- \_\_\_ -Y Stainless Steel Sediment Bucket

\* Regularly furnished unless otherwise specified.