

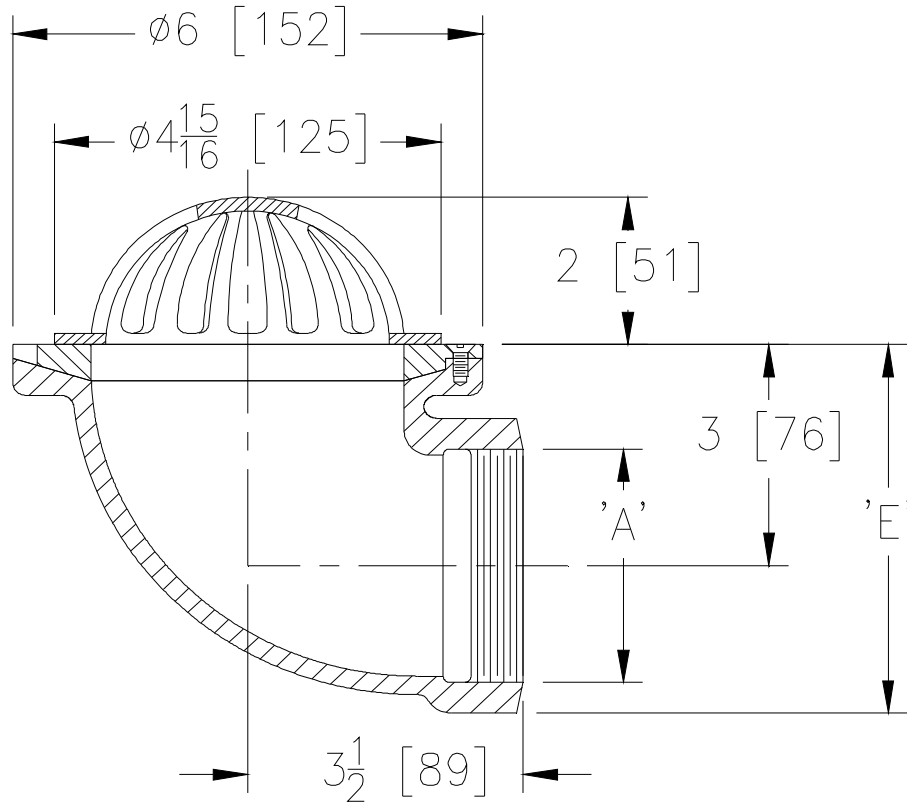


Z185
6 [152] DIAMETER CORNICE DRAIN
W/ 90° OUTLET

SPECIFICATION SHEET

TAG _____

Dimensional Data (inches and [mm]) are Subject to Manufacturing Tolerances and Change Without Notice



'A' Pipe Size In. [mm]	Approx. Wt. Lbs. [kg]	Dome Open Area Sq. In. [cm ²]
3 [76]	8 [4]	11 [71]
4 [102]	10 [4]	

ENGINEERING SPECIFICATION: ZURN ZRB185
 6" [152mm] Diameter cornice drain, Dura-Coated cast iron with 90° side outlet body, plain bronze dome and membrane flashing clamp.

OPTIONS (Check/specify appropriate options)

PIPE SIZE

3 [76]
 4 [102]

(Specify size/type) **OUTLET**

___ IP Threaded
 ___ IP Threaded

'E' BODY HT. DIM.

5-1/8 [130]
 5-5/8 [143]

PREFIXES

___ ZRB D.C.C.I. Body with Plain Bronze Dome*
 ___ ZN D.C.C.I. Body with Polished Nickel Bronze Dome

SUFFIXES

___ -FS Flat Strainer (ZN)
 ___ -G Galvanized Cast Iron
 ___ -HD 5-3/4 [146] High Dome
 ___ -VP Vandal Proof Secured Top
 ___ -45 45° Side Outlet Body

* Regularly furnished unless otherwise specified.