

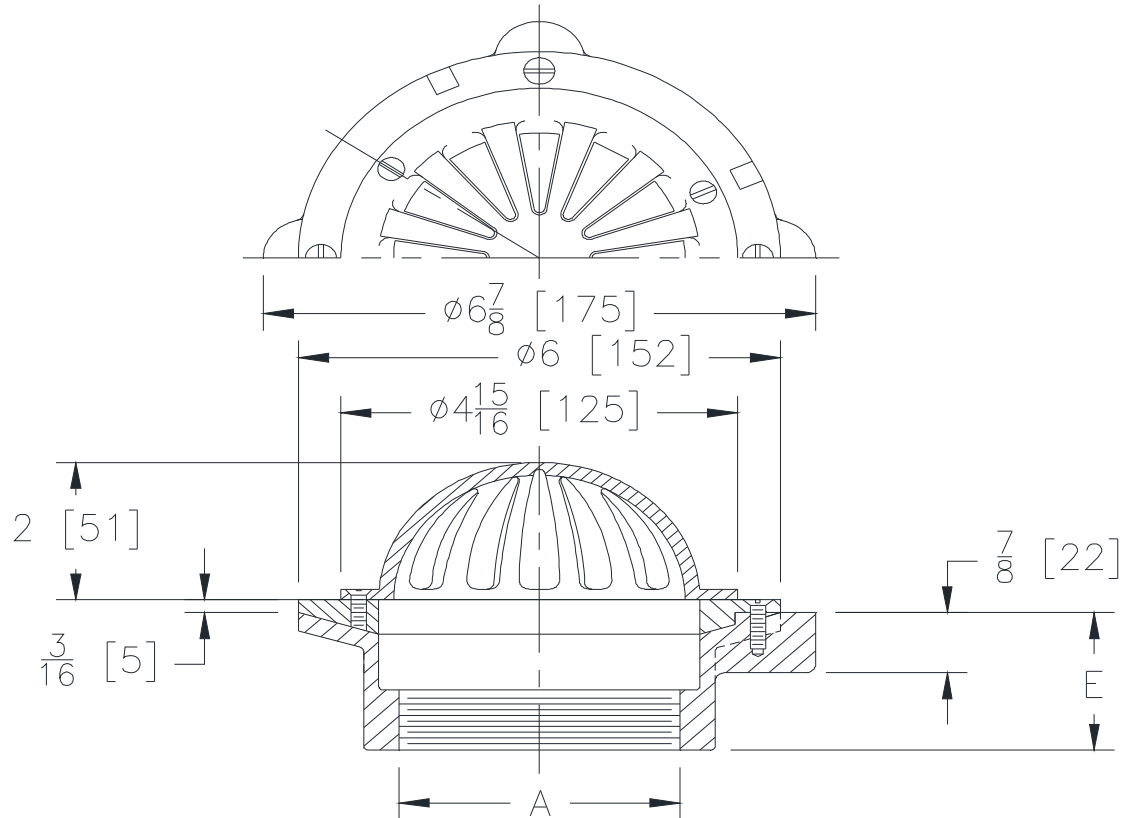


**Z181**  
**6 [152] DIAMETER CORNICE DRAIN**  
**BOTTOM OUTLET**

**SPECIFICATION SHEET**

**TAG** \_\_\_\_\_

Dimensional Data (inches and [ mm ]) are Subject to Manufacturing Tolerances and Change Without Notice



A- Pipe Size In. [mm]	Approx. Wt. Lbs. [kg]	Dome Open Area Sq. In. [cm <sup>2</sup> ]
3 [76]	6 [3]	11 [71]
4 [102]	7 [4]	

**ENGINEERING SPECIFICATION: ZURN ZRB181**  
 6" [152mm] Diameter by 2" [51mm] high cornice drain, Dura-Coated cast iron body, plain bronze dome and membrane flashing clamp.

**OPTIONS** (Check/specify appropriate options)

**PIPE SIZE**

3, 4 [76, 102]  
 3, 4 [76, 102]

(Specify size/type) **OUTLET**

\_\_\_ IP Threaded  
 \_\_\_ NH No-Hub (IP w/Z1040)

**'E' BODY HT. DIM.**

2 [51]  
 4-1/2 [114]

**PREFIXES**

\_\_\_ ZRB D.C.C.I. Body with Plain Bronze Dome\*  
 \_\_\_ ZN D.C.C.I. Body with Polished Nickel Bronze Dome

**SUFFIXES**

\_\_\_ -BS Bronze Mesh Screen Over Dome  
 \_\_\_ -C Underdeck Clamp  
 \_\_\_ -FS Flat Strainer (ZN)  
 \_\_\_ -G Galvanized Cast Iron  
 \_\_\_ -HD 5-3/4 [146] High Dome  
 \_\_\_ -R Roof Sump Receiver  
 \_\_\_ -SS Stainless Steel Mesh Screen Over Dome  
 \_\_\_ -VP Vandal-Proof Secured Top

\* Regularly furnished unless otherwise specified.