

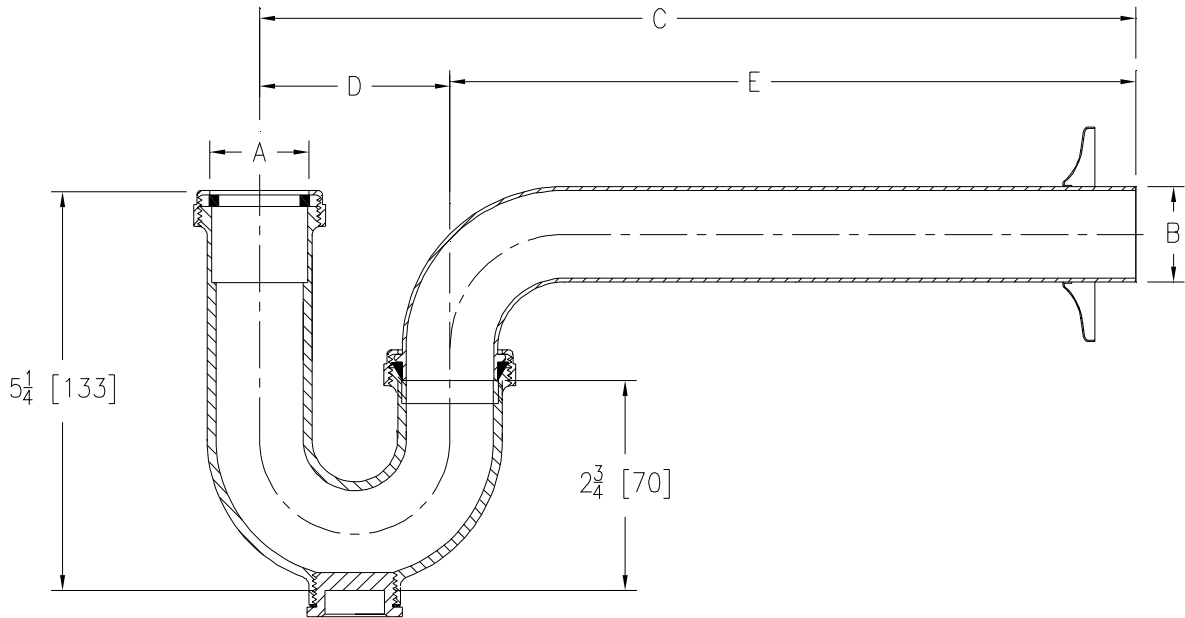


TUBULAR P-TRAPS WITH CLEANOUT

ZR366-PC THRU ZR371JBD-RB

TAG _____

Engineering Specification: Zurn ZR366-PC THRU ZR371JBD-RB – Chrome-plated tubular P-trap with cleanout, tubular wall bend as specified, die-cast nuts, and escutcheon with compression inlet.



PRODUCT NUMBER	A SLIP NUT INLET	B OUTLET	GAUGE	DIMENSIONS			MASTER CARTON
				C	D	E	
ZR366-PC	1 1/4[32]	1 1/4[32]	20	11 1/4[286]	3 1/4[83]	8[203]	30
ZR368-PC	1 1/4[32]	1 1/2[38]	20	11 1/2[292]	3 1/2[89]	8[203]	30
ZR369-PC	1 1/2[38]	1 1/2[38]	20	11 1/2[292]	3 1/2[89]	8[203]	30
ZR367-PC*	1 1/4[32]	1 1/4[32]	17	11 1/4[286]	3 1/4[83]	8[203]	30
ZR370-PC	1 1/4[32]	1 1/2[38]	17	12 1/2[318]	3 1/2[89]	9[229]	30
ZR370JBD-RB	1 1/4[32]	1 1/2[38]	17	12 1/2[318]	3 1/2[89]	9[229]	30
ZR371-PC	1 1/2[38]	1 1/2[38]	17	12 1/2[318]	3 1/2[89]	9[229]	30
ZR371JBD-RB	1 1/2[38]	1 1/2[38]	17	12 1/2[318]	3 1/2[89]	9[229]	30

SUFFIXES

- ___ -B Brass Nuts
- ___ -BX Box Escutcheon
- ___ -CE Cast Brass Escutcheon
- ___ -D Deep Escutcheon
- ___ -J Ground Joint (17Gage Only)

*Not available with metal-to-metal ground joint.

ZURN INDUSTRIES, INC. ♦ COMMERCIAL BRASS OPERATION ♦ 2640 SOUTH WORK STREET ♦ FALCONER NY 14733

Phone: 1-716-665-1132 ♦ Fax: 1-716-665-1135 ♦ World Wide Web: www.zurn.com

In Canada: ZURN INDUSTRIES LIMITED ♦ 3544 Nashua Drive ♦ Mississauga, Ontario L4V1L2 ♦ Phone: 905/405-8272 Fax: 905/405-1292