



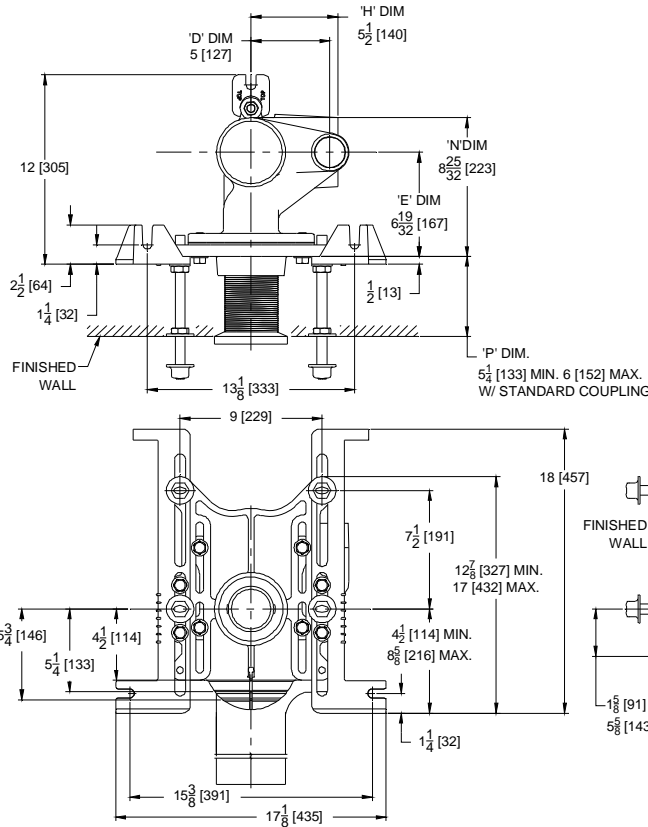
Z1202-1N_4

EZCARRY® ADJUSTABLE VERTICAL HIGH PERFORMANCE SIPHON JET NO-HUB WATER CLOSET CARRIER SYSTEM W/ SIDE INLET

SPECIFICATION SHEET

TAG _____

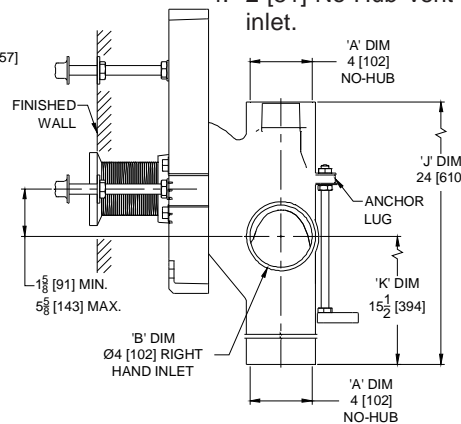
Dimensional Data (inches and [mm]) are Subject to Manufacturing Tolerances and Change Without Notice



Product Number	Approx. Wt. lbs [kg]
Z1202-1NL4	77 [35]
Z1202-1NR4	77 [35]

Note:

1. Z coupling, Min. 'P' Dim. Obtainable = 2 [51].
ZQ coupling, Min. 'P' Dim. Obtainable = 5 [127]
EZ-Set™ Coupling, Min. 'P' Dim. Obtainable = 4-1/4 [108] or 2-1/16 [52] for 12 [305] NPT
2. Feet bolted to floor using min. 1/2 [13] dia. anchors.
3. Rear anchor foot required for secure installation.
4. 2 [51] No-Hub Vent located on same side as 4 [102] side inlet.



Z1202-1NR4 Illustrated

ENGINEERING SPECIFICATION: ZURN Z1202-1N_4

EZCarry® vertical siphon jet water closet carrier system with high performance waterway and 4" [102mm] no-hub connections. System includes Dura-Coated cast iron main fitting with hydro-mechanically optimized sweep and extended 2" [51mm] vent, 4" [102mm] side inlet, adjustable gasketed faceplate, floor mounted pre-fab slotted foot supports with top anchoring pre-fab support base, heavy-duty 1/2" [13mm] rear anchor tie down, fixture bolts, trim, stud protectors, bonded "Neo-Seal" gasket, and corrosion resistant, adjustable 3" [76mm] dia. X 6" [152mm] coupling with integral test cap designed to increase flow velocity and line carry. EZCarry® system complies with the requirements of ASME A112.6.1M up to a 500 lbs [227 kg] static load rating.

OPTIONS (Check/specify appropriate options)

- ___ Z1202-1NL4 4 [102] No-Hub Stack, Single Inlet, 4 [102] Left Hand Side Inlet, 2 [51] Left Hand Vent.
- ___ Z1202-1NR4 4 [102] No-Hub Stack, Single Inlet, 4 [102] Right Hand Side Inlet, 2 [51] Right Hand Vent.

PREFIXES

- ___ Z D.C.C.I. System with Zurn ZZ Adjustable Coupling*
- ___ ZQ D.C.C.I. System with NPT Faceplate, Non-Adjustable Coupling

SUFFIXES

- ___ -A Auxiliary Support Assembly
(For 'P' Dim. Greater than 18 [457])
- ___ -CC Corrosion Resistant Cast Iron Coupling
(2-1/4 [57] to 12 [305])
- ___ -CE EZ-Set® Coupling (NPSM 6 [152], 12 [305] or custom)
(NPT 12 [305] or custom)
- ___ -CL Custom Length Standard Coupling with Integral Test Cap
(Specify Length 4, 8, 10, 12 [102, 203, 254, 305])
- ___ -CS 2-1/4 [57] Polymer Coupling with Integral Test Cap
- ___ -F Floor Mounted, Back Outlet Fixture Support
- ___ -G Galvanized Cast Iron
- ___ -M Auxiliary Foot Support
(for 'P' Dim. 7 thru 18 [178 thru 457])
- ___ -RYK17 One Piece Unistrut Pre-Fab Foot
- ___ -VL Left Hand Vent Connection (For 1NR4 Only)
- ___ -VP Vandal-Proof Trim
- ___ -X2 2 [51] Carrier Foot Extension Assembly
- ___ -X3 3 [76] Carrier Foot Extension Assembly
- ___ -45 Finishing Frame for Siphon Jet System
- ___ -50 Flush Valve Supply Support for Water Closets

* Regularly furnished unless otherwise specified.