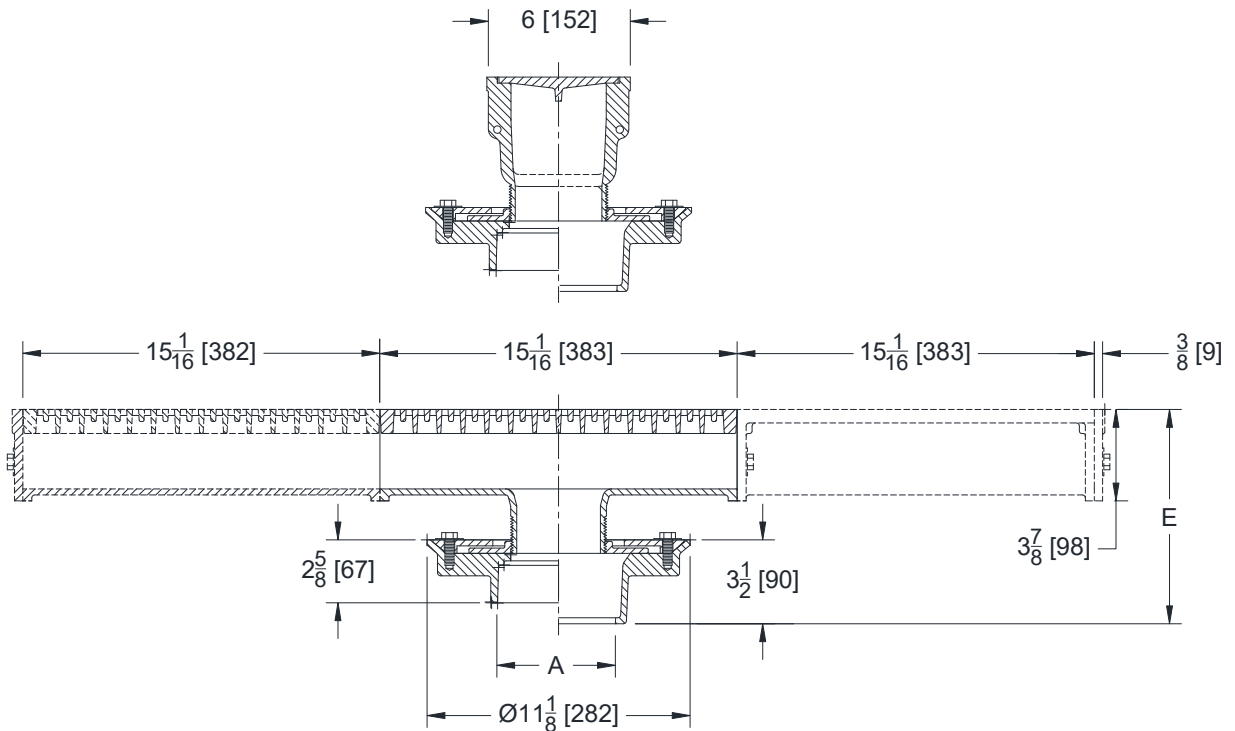


**Z667**

6 [152] WIDE MODULAR TRENCH DRAIN MEDIUM-DUTY TAG _____

Dimensional Data (inches and [mm]) are Subject to Manufacturing Tolerances and Change Without Notice



A Pipe Size In [mm]	Approx. Wt. Lbs. [kg]	Grate Open Area Sq. In. [cm ²]
3, 4 [76, 102]	40 [18]	27 [174]

ENGINEERING SPECIFICATION ZURN Z667

6" [152mm] Wide top sectional trench drain, Dura-Coated cast iron bottom outlet section vertically and horizontally adjustable cast iron drain section having seepage pan and membrane clamp. Both 15" [381mm] long outlet module section and extension modules are complete with loose medium-duty slotted grate.

OPTIONS (Check/specify appropriate options)**PIPE SIZE**

3, 4 [76, 102]

(Specify size/type) **OUTLET**

___ NL Neo-Loc

'E' BODY HT. DIM.**MIN.**

7-15/16 [202]

MAX.

8-11/16 [221]

PREFIXES

- ___ Z D.C.C.I. Body and Top*
 ___ ZN D.C.C.I. Body w/Polished Nickel Bronze Top (Add 1/8 [3] to 'E' dim)

SUFFIXES

- ___ -AR Acid Resisting Epoxy Coated Cast Iron (Per Section)
 ___ -ES 15 [381] Extension Section (Specify Number of Sections Required)
 ___ -G Galvanized Cast Iron (Per Section)
 ___ -TC Neo-Loc test cap gasket (3,4 [76,102] NL Bottom Outlet Only)
 ___ -TS Top Secured with Slotted Screws (Per Section)
 ___ -V Backwater Valve (See Z1099)
 ___ -VP Vandal-Proof Secured Top (Per Section)

* Regularly furnished unless otherwise specified.

Zurn Industries, LLC | Specification Drainage Operation
 1801 Pittsburgh Avenue, Erie, PA U.S.A. 16502 · Ph. 855-663-9876, Fax 814-454-7929

In Canada | Zurn Industries Limited
 7900 Goreway Drive, Unit 10, Brampton, Ontario L6T 5W6 · Ph. 877-892-5216

www.zurn.com

Rev. K
 Date: 12/04/2019
 C.N. No. 142244
 Prod. | Dwg. No. Z667