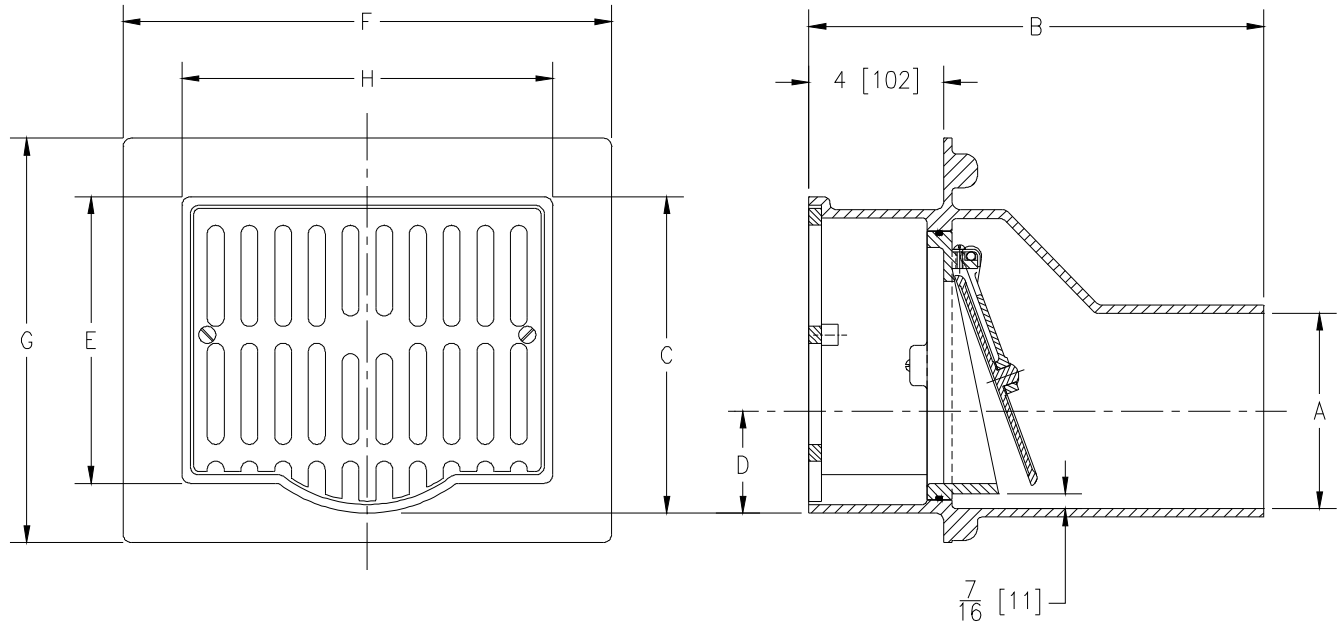


Dimensional Data (inches and [ mm ]) are Subject to Manufacturing Tolerances and Change Without Notice



A-Pipe Size In. [mm]	Dimensions In Inches [mm]							Approx. Wt. Lbs. [kg]	Grate Open Area Sq. In. [cm <sup>2</sup> ]
	B	C	D	E	F	G	H		
3 [76]	13 [330]	7-5/8 [194]	1-1/2 [38]	6-7/8 [175]	12-3/4 [324]	11 [279]	9-1/4 [235]	47 [21]	20 [129]
4 [102]			2 [51]						
6 [152]	13-1/2 [343]	9-3/8 [238]	3-1/8 [79]	8-1/2 [216]	14-1/2 [368]	12 [305]	11 [279]	58 [26]	33 [231]

**ENGINEERING SPECIFICATION: ZURN Z629**

Vertical wall drain, Dura-Coated cast iron body, bronze valve assembly and secured slotted grate.

**OPTIONS** (Check/specify appropriate options)

**PIPE SIZE**

3, 4, 6 [76, 102, 152]

(Specify size/type) **OUTLET**

\_\_\_ NH No-Hub

**PREFIXES**

- \_\_\_ Z D.C.C.I. Body with Cast Iron Grate\*
- \_\_\_ ZN D.C.C.I. Body with Polished Nickel Bronze Grate

**SUFFIXES**

- \_\_\_ -C Clamping Collar
- \_\_\_ -G Galvanized Cast Iron
- \_\_\_ -LV (Less) Backwater Valve
- \_\_\_ -VP Vandal-Proof Secured Top

\* Regularly furnished unless otherwise specified.