

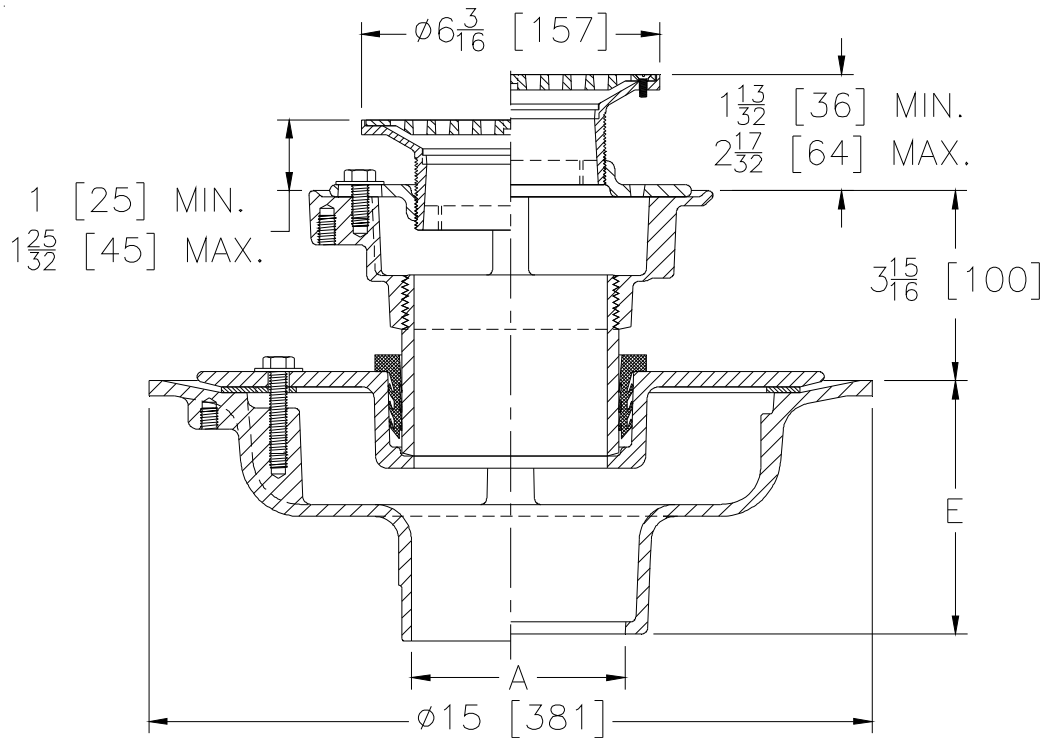
**Z625**

ADJUSTABLE ISOLATION DECK DRAIN

SPECIFICATION SHEET

TAG _____

Dimensional Data (inches and [mm]) are Subject to Manufacturing Tolerances and Change Without Notice



A Pipe Size In. [mm]	Approx. Wt. Lbs. [kg]	Grate Open Area Sq. In. [cm ²]
2, 3, 4 [51, 76, 102]	42 [19]	9 [58]
6 [152]		

ENGINEERING SPECIFICATION: ZURN ZN625

Adjustable isolation deck drain, Dura-Coated cast iron upper and lower bodies, upper and lower clamp collars, neoprene flex gasket, isolation nipple and adjustable 6" [152mm] diameter nickel bronze strainer.

OPTIONS (Check/specify appropriate options)**PIPE SIZE**2, 3, 4, 6 [51, 76, 102, 152]
2, 3, 4 [51, 76, 102]**(Specify size/type) OUTLET**____ NH No-Hub
____ NL Neo-Loc**'E' BODY HT. DIM.**5-1/4 [133]
4-5/8 [117]**PREFIXES**____ ZB D.C.C.I Body w/ Polished Bronze Top
____ ZN D.C.C.I Body w/ Polished Nickel Bronze Top***SUFFIXES**____ -C Underdeck Clamp (Lower Body)
____ -G Galvanized Cast Iron
____ -PC Protective Cover
____ -R Sump Receiver (Lower Body)
____ -U 3 [76] High Extension Adapter (Upper Body)
____ -VP Vandal-Proof Secured Top
____ -Y Sediment Bucket (Upper Body)

* Regularly furnished unless otherwise specified.