

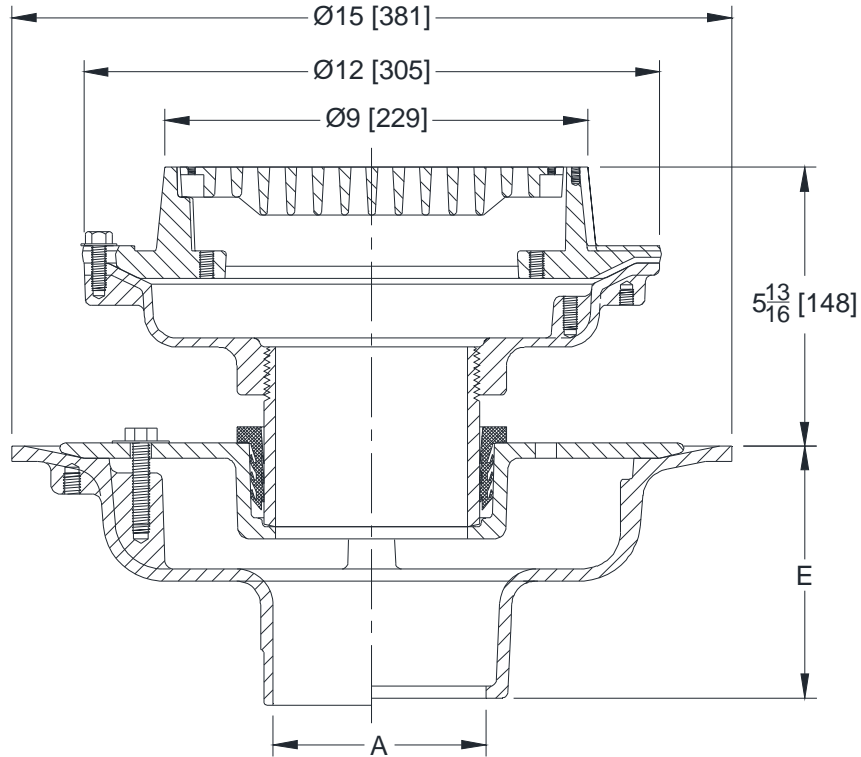


Z624 ISOLATION DECK DRAIN

SPECIFICATION SHEET

TAG _____

Dimensional Data (inches and [mm]) are Subject to Manufacturing Tolerances and Change Without Notice



A Pipe Size In. [mm]	Approx. Wt. Lbs. [kg]	Grate Open Area Sq. In. [cm ²]
2, 3, 4 [51, 76, 102]	64 [29]	18 [116]
6 [152]	64 [29]	

ENGINEERING SPECIFICATION: ZURN Z624

Floating slab drain, Dura-Coated cast iron upper and lower bodies, clamp collar with weep holes, neoprene flex gasket, isolation nipple and slotted grate.

OPTIONS (Check/specify appropriate options)

PIPE SIZE

2, 3, 4, 6 [51, 76, 102, 152]
2, 3, 4 [51, 76, 102]

(Specify size/type) **OUTLET**

___ NH No-Hub
___ NL Neo-Loc

'E' BODY HT. DIM.

5-1/4 [133]
4-5/8 [117]

PREFIXES

___ Z D.C.C.I. Body and Top*
___ ZN D.C.C.I Body w/ Polished Nickel Bronze Top (Add 3/16 [5] to 4-15/16 [125] Dim)

SUFFIXES

___ -C Underdeck Clamp (Lower Body)
___ -G Galvanized Cast Iron
___ -R Sump Receiver (Lower Body)
___ -TS Top Secured with Slotted Screws
___ -VP Vandal-Proof Secured Top
___ -Y Sediment Bucket (Upper Body)

* Regularly furnished unless otherwise specified.