



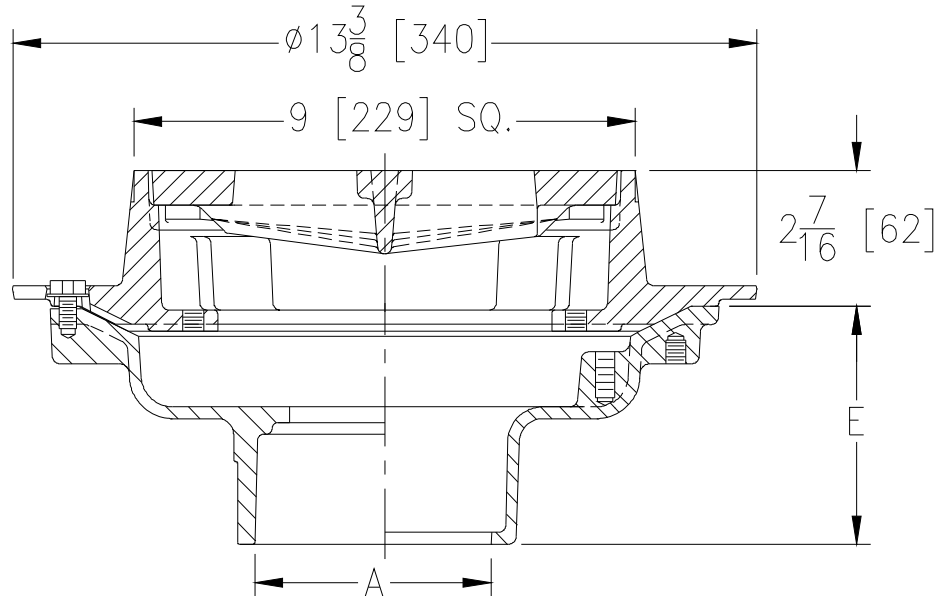
# Z609

## 9 [229] SQUARE HEAVY-DUTY DRAIN

SPECIFICATION SHEET

TAG \_\_\_\_\_

Dimensional Data (inches and [ mm ]) are Subject to Manufacturing Tolerances and Change Without Notice



A Pipe Size	Approx. Wt. Lbs. [kg]	Grate Open Area Sq. In. [cm <sup>2</sup> ]
2, 3, 4 [51, 76, 102]	32 [15]	14 [90]

**ENGINEERING SPECIFICATION: ZURN Z609**  
 9 [229] Square Top Drain, Dura-Coated cast iron body with bottom outlet, seepage pan, and heavy-duty cast iron anti-tilt slotted grate and combination membrane flashing clamp and frame.

**OPTIONS** (Check/specify appropriate options)

**PIPE SIZE**

- 2 thru 4 [51 thru 102]
- 2 thru 4 [51 thru 102]
- 2 thru 4 [51 thru 102]
- 2 thru 4 [51 thru 102]
- 2 thru 4 [51 thru 102]

(Specify size/type) **OUTLET**

- \_\_\_\_\_ IC Inside Caulk
- \_\_\_\_\_ IG Inside Gasket.
- \_\_\_\_\_ IP Threaded
- \_\_\_\_\_ NH No-Hub
- \_\_\_\_\_ NL Neo-Loc

**'E' BODY HT. DIM.**

- 3-3/4 [95]
- 3-3/4 [95]
- 2-3/4 [70]
- 4-3/4 [121]
- 3-1/2 [89]

**PREFIXES**

- \_\_\_\_\_ Z D.C.C.I. Body and Top\*
- \_\_\_\_\_ ZB D.C.C.I. Body w/Polished Bronze Top (Add 3/16 [5] to 2-7/16 [62] Dim and 3/4 [20] to 9 [229] Dim.)
- \_\_\_\_\_ ZN D.C.C.I. Body w/Polished Nickel Bronze Top (Add 3/16 [5] to 2-7/16 [62] and 3/4 [20] to 9 [229] Dim.)

**SUFFIXES**

- |  |   |
|--|---|
| <ul style="list-style-type: none"> <li>_____ -AR Acid Resistant Epoxy Coated Cast Iron</li> <li>_____ -DG Duresist Grate</li> <li>_____ -F 2 [51] High Extension</li> <li>_____ -G Galvanized Cast Iron</li> <li>_____ -GG Galvanized Grate</li> <li>_____ -H Hinged Grate</li> <li>_____ -HL Hinged Locking Grate</li> <li>_____ -P Trap Primer Connection</li> <li>_____ -S Secondary Strainer</li> <li>_____ -SC Solid Cover</li> </ul> | <ul style="list-style-type: none"> <li>_____ -SS Stainless Steel Mesh Liner for Bucket</li> <li>_____ -TC Neo-Loc Test Cap Gasket<br/>(2 [51] - 4 [102] NL Bottom Outlet Only)</li> <li>_____ -TS Top Secured With Slotted Screws</li> <li>_____ -V Backwater Valve (See Z1099)</li> <li>_____ -VP Vandal-Proof Secured Top</li> <li>_____ -Y Sediment Bucket</li> <li>_____ -90 90° Threaded Side Outlet Body<br/>(2 [51] thru 4 [102])</li> </ul> |
|--|---|

<b>REV. F</b>	<b>DATE: 11/8/10</b>	<b>C.N. NO. 120319</b>
<b>DWG. NO. 59239</b>	<b>PRODUCT NO. Z609</b>	

\*REGULARLY FURNISHED UNLESS OTHERWISE SPECIFIED