



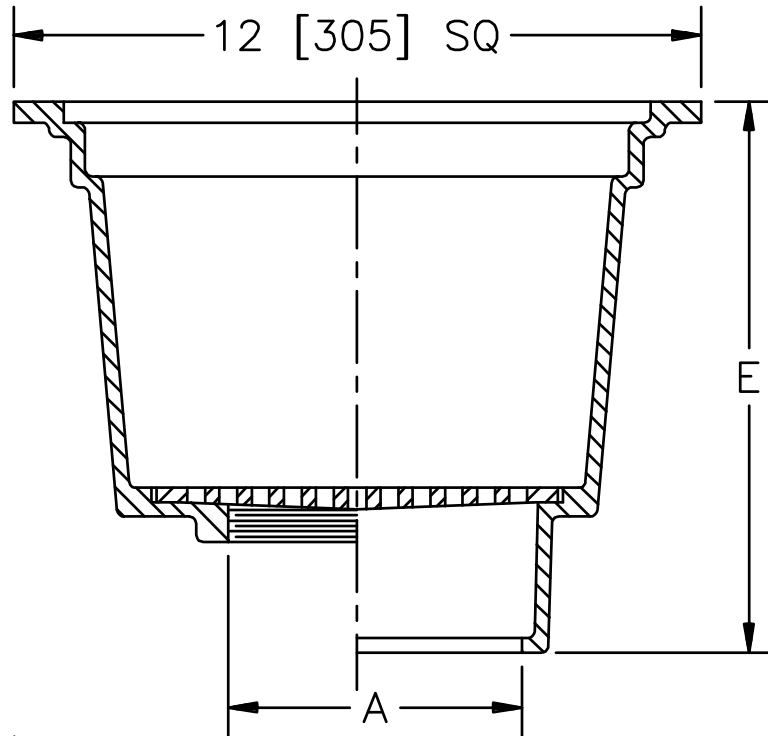
Z566

12 [305] SQUARE OPEN TOP DRAIN

SPECIFICATION SHEET

TAG _____

Dimensional Data (inches and [mm]) are Subject to Manufacturing Tolerances and Change Without Notice



A - Pipe Size Inches [mm]	Approx. Wt. Lbs. [kg]
2, 3, 4 [51, 76, 102]	42 [19]

ENGINEERING SPECIFICATION: ZURN Z566

12" [305mm] Square open top drain, Dura-Coated cast iron body with bottom outlet and loose set cast iron secondary strainer.

OPTIONS (Check/specify appropriate options)

PIPE SIZE

3, 4 [76, 102]
2, 3, 4 [51, 76, 102]

(Specify size/type) **OUTLET**

____ IP Threaded
____ NL Neo-Loc

'E' BODY HT. DIM.

7-5/8 [194]
9 [229]

PREFIXES

____ Z D.C.C.I. Body and Top*
____ ZN D.C.C.I. Body with Polished Nickel Bronze Top (Add 3/16 [5] to 'E' Dim.)

SUFFIXES

____ -AR Acid Resisting Epoxy Coated Cast Iron
____ -G Galvanized Cast Iron
____ -GT Top Grate
____ -TC Neo-Loc Test Cap Gasket
(2, 3, 4 [51, 76, 102] NL Bottom Outlet Only)
____ -Y Sediment Bucket

* Regularly furnished unless otherwise specified.