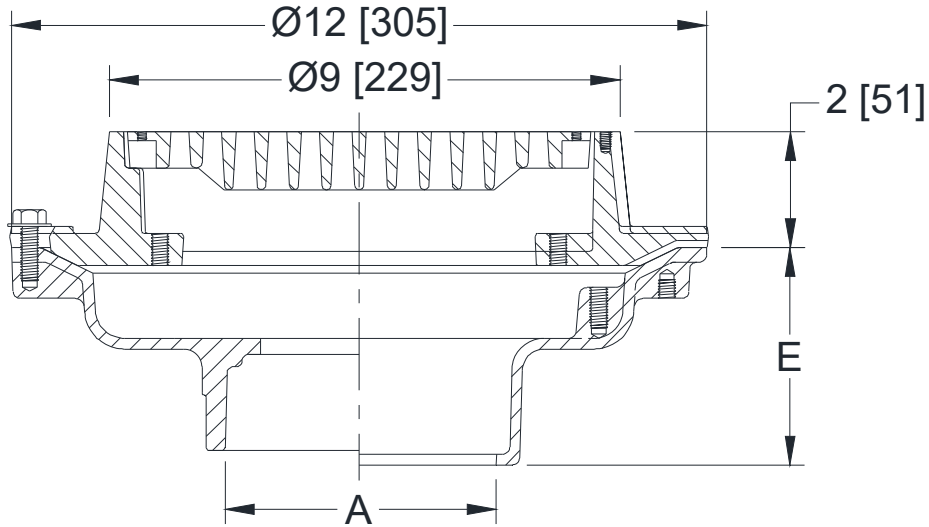


**Z550****9 [229] DIAMETER TOP MEDIUM-DUTY DRAIN****SPECIFICATION SHEET**

TAG _____

Dimensional Data (inches and [mm]) are Subject to Manufacturing Tolerances and Change Without Notice



A Pipe Size In [mm]	Approx. Wt. Lbs. [kg]	Grate Open Area Sq. In. [cm ²]
2, 3, 4 [51, 76, 102]	28 [13]	18 [116]
6 [152]	30 [14]	

ENGINEERING SPECIFICATION: ZURN Z550

9" [229mm] Diameter top drain, Dura-Coated cast iron body with bottom outlet, seepage pan and combination membrane flashing clamp and frame with integrated trap primer and plug for medium-duty cast iron heel-proof slotted duresist grate.

OPTIONS (Check/specify appropriate options)**PIPE SIZE**

3, 4 [76, 102]
 3, 4 [76, 102]
 3, 4 [76, 102]
 2, 3, 4 [51, 76, 102]
 6 [152]
 2, 3, 4 [51, 76, 102]

OUTLET(Specify size/type)

___ IC Inside Caulk
 ___ IG Inside Gasket
 ___ IP Threaded
 ___ NH No-Hub
 ___ NH No-Hub
 ___ NL Neo-Loc

'E' BODY HT. DIM.

3-3/4 [95]
 3-3/4 [95]
 2-3/4 [70]
 4-3/4 [121]
 5-1/4 [133]
 3-1/2 [89]

PREFIXES

___ Z D.C.C.I. Body and Top*
 ___ ZN D.C.C.I. Body with Polished Nickel Bronze Top (Add 3/16 [5] to 2 [51] Dim. & 3/4 [20] to 9 [229] Dim.)

SUFFIXES

___ -AR	Acid Resisting Epoxy Coated Cast Iron	___ -TG	Tractor Grate
___ -D	Dome Grate	___ -TS	Top Secured with Slotted Screw
___ -G	Galvanized Cast Iron	___ -VP	Vandal-Proof Secured Top
___ -S	Secondary Strainer	___ -Y	Sediment Bucket
___ -SS	Stainless Mesh Liner for Bucket	___ -90	90° Threaded Side Outlet Body (2, 3, 4 [51, 76, 102])
___ -TC	Neo-Loc Test Cap Gasket (2, 3, 4 [51, 76, 102] NL Bottom Outlet Only)		

* Regularly furnished unless otherwise specified.

Zurn Industries, LLC | Specification Drainage Operation
 1801 Pittsburgh Avenue, Erie, PA 16502, Ph. 855-663-9876, Fax 814-454-7929
 In Canada | **Zurn Industries Limited**
 7900 Goreway Drive, Unit 10, Brampton, Ontario L6T 5W6, Ph. 877-892-5216
www.zurn.com

Rev. K
 Date: 10/05/2020
 C.N. No. 143083
 Prod. | Dwg. No. Z550