

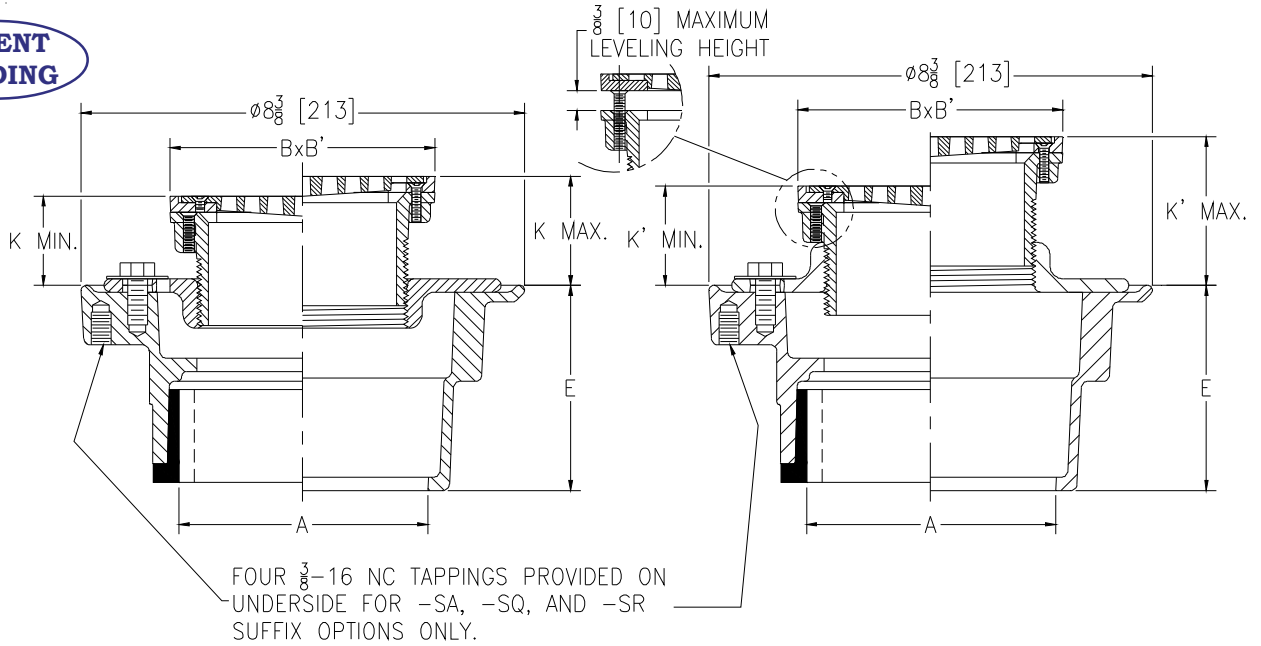


Z415SZ

BODY ASSEMBLY W/ "TYPE SZ" LEVELING STRAINER

Dimensional Data (inches and [mm]) are Subject to Manufacturing Tolerances and Change Without Notice

**PATENT
PENDING**



Dimensions In Inches						Approx. Wt. Lbs. [kg]	Strainer Open Area Sq. In. [cm ²]
A Pipe Size	B x B' Strainer Top Size	K		K'			
		Min.	Max.	Min.	Max.		
2-3 [51-76]	5 [127] x 5 [127]	1-11/16 [43]	2-1/16 [53]	1-13/16 [46]	2-13/16 [71]	11 [5]	8 [52]
2-3-4 [51-76-102]	6 [152] x 6 [152]	1-11/16 [43]	2-1/16 [53]	1-13/16 [46]	2-13/16 [71]	13 [6]	13 [84]

ENGINEERING SPECIFICATION: ZURNZN415SZ

Floor and shower drain, Dura-Coated cast iron body with bottom outlet, combination invertible membrane clamp and adjustable collar with seepage slots and "TYPE SZ" polished nickel bronze, light-duty, square leveling strainer.

OPTIONS (Check/specify appropriate options)

PIPE SIZE

- 2-3-4 [51-76-102]
- 2-3-4 [51-76-102]
- 2 [51]
- 3 [76]
- 4 [102]
- 2-3-4 [51-76-102]
- 2-3-4 [51-76-102]

(Specify size/type) **OUTLET**

- _____ IC Inside Caulk
- _____ IG Inside Gasket
- _____ IP Threaded
- _____ IP Threaded
- _____ IP Threaded
- _____ NH No-Hub
- _____ NL Neo-Loc

'E' BODY HT. DIM.

- 3-7/8 [98]
- 3-7/8 [98]
- 2-3/8 [60]
- 2-5/8 [67]
- 2-7/8 [73]
- 3-7/8 [98]
- 3-3/4 [95]

PREFIXES

- ___ ZB D.C.C.I. Body Assembly w/ Polished Bronze Top
- ___ ZN D.C.C.I. Body Assembly w/ Polished Nickel Bronze Top*
- ___ ZS D.C.C.I. Body Assembly w/ Polished Type 304 (CF8) Stainless Steel Top

SUFFIXES

- ___ -AA All Acid Resisting Epoxy
- ___ -AR Acid Resisting Epoxy Coated Cast Iron
- ___ -CP Chrome-Plated Bronze Top
- ___ -DP Decorative Polished Top
- ___ -G Galvanized Cast Iron
- ___ -P Trap Primer Connection (Specify 1/2 [13] or 3/4 [19])
- ___ -PC Protective Cover
- ___ -SA Stabilizer Assembly (See Z1035)
- ___ -SQ Stabilizer Q-Deck (See Z1035-Q)
- ___ -SR Stabilizer Ring
- ___ -TC Neo-Loc Test Cap Gasket (2-4 [51-102] NL Outlet Only)
- ___ -U 1-3 [25-76] High Extension Adapter
- ___ -V Backwater Valve
- ___ -VP Vandal-Proof Secured Top
- ___ -Y Sediment Bucket
- ___ -90 90° Threaded Side Outlet Body Assembly (2 [51], 3 [76] Only)

** For Installation Instructions, See Form #FD86.

* Regularly furnished unless otherwise specified.