



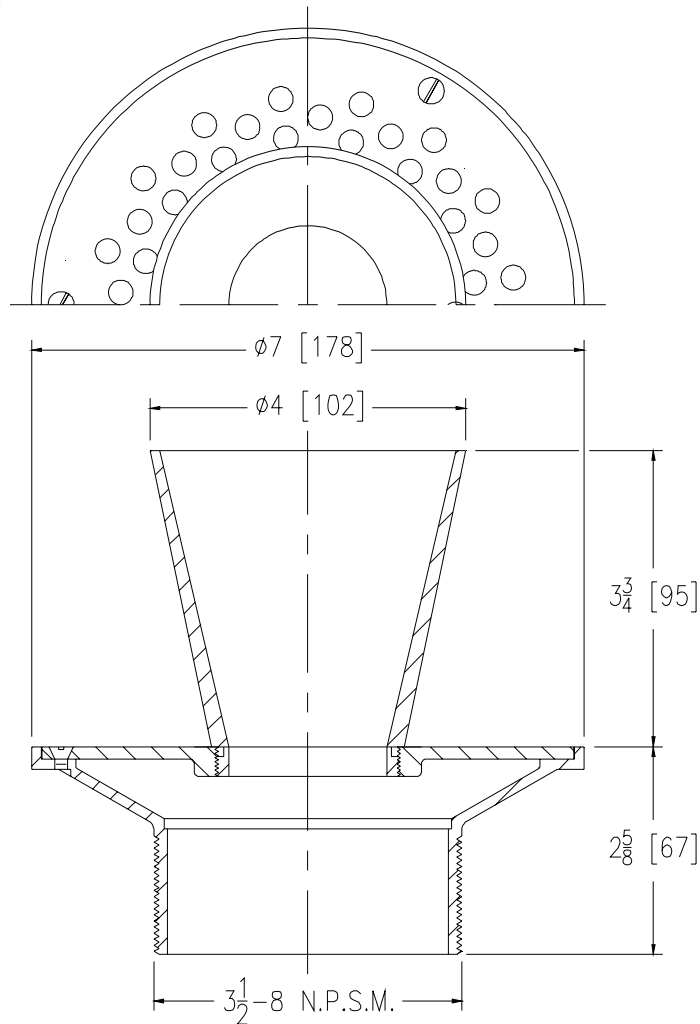
Z400E

"TYPE E" ROUND STRAINER W/INTEGRAL FUNNEL

SPECIFICATION SHEET

TAG _____

Dimensional Data (inches and [mm]) are Subject to Manufacturing Tolerances and Change Without Notice



Strainer Designation	Top Size Inches B	Approx. Wt. Lbs. [kg]	Open Area Sq. In. [cm ²]
-7E	7 [178]	10 [5]	5 [33]

ENGINEERING SPECIFICATION: ZURN Z()400E
 "TYPE E" round adjustable strainer top with combination funnel/grate with perimeter openings.
 (Specify ZB or ZN finish)

OPTIONS (Check/specify appropriate options)

PREFIXES

- ___ ZB Polished Bronze Top
- ___ ZN Polished Nickel Bronze Top

SUFFIXES

- ___ -V Backwater Valve
- ___ -VP Vandal-Proof Secured Top
- ___ -Y Sediment Bucket

REV. E	DATE: 11/08/10	C.N. NO. 120302
DWG. NO. 59324	PRODUCT NO. Z400E	