

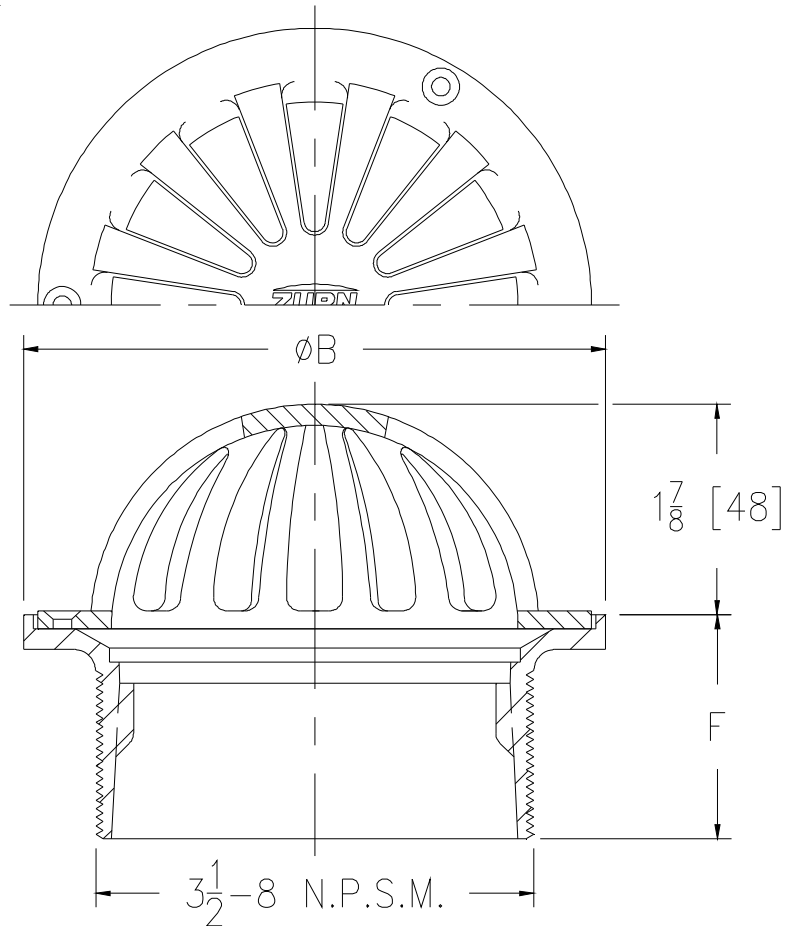


Z400G
"TYPE G" ROUND STRAINER W/ DOME

SPECIFICATION SHEET

TAG _____

Dimensional Data (inches and [mm]) are Subject to Manufacturing Tolerances and Change Without Notice



Strainer Designation	Dimension in Inches[mm]		Approx. Wt. Lbs. [kg]	Open Area Sq. In. [cm ²]
	Size B	Height F		
-5G	5 [127]	2 [51]	2 [1]	15 [97]
-6G	6 [152]	2-1/4 [57]	4 [2]	

ENGINEERING SPECIFICATION: ZURN ZN400G
"TYPE G" round adjustable strainer top with secured slotted dome strainer. (Specify ZB or ZN finish)

OPTIONS (Check/specify appropriate options)

PREFIXES

- ___ ZB Polished Bronze Top
- ___ ZN Polished Nickel Bronze Top*

SUFFIXES

- ___ -SS Stainless Mesh Screen Over Dome
- ___ -V Backwater Valve
- ___ -VP Vandal-Proof Secured Top
- ___ -Y Sediment Bucket

* Regularly furnished unless otherwise specified.