

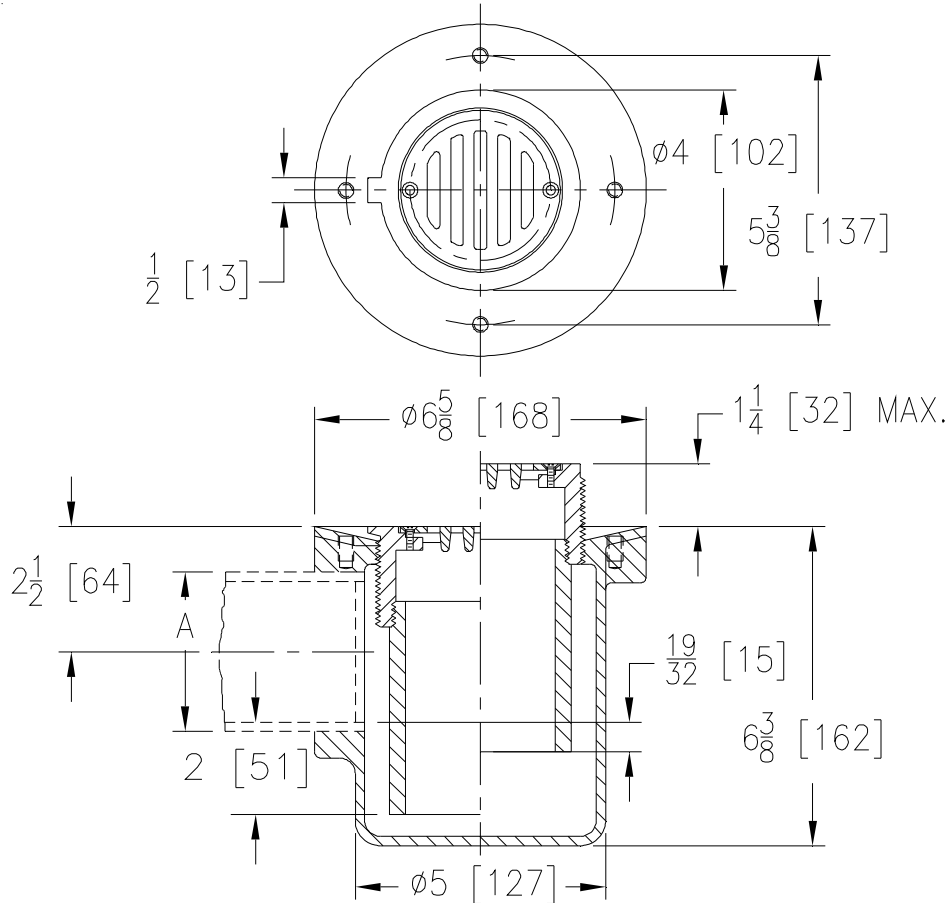


**Z355**  
PRISON CELL FLOOR DRAIN

SPECIFICATION SHEET

TAG \_\_\_\_\_

Dimensional Data (inches and [ mm ]) are Subject to Manufacturing Tolerances and Change Without Notice



A-Pipe Size Inches [mm]	Approx. Wt. Lbs. [kg]	Grate Open Area Sq. In. [cm <sup>2</sup> ]
2 [51]	13 [6]	3.5 [23]
3 [76]	15 [7]	

**ENGINEERING SPECIFICATION: ZURN ZN355**

Prison cell floor drain, Dura-Coated cast iron body with side outlet, integral trap, anchor flange and adjustable nickel bronze slotted strainer secured with spanner type vandal-proof screws.

**OPTIONS** (Check/specify appropriate options)

**PIPE SIZE**

2, 3 [51, 76]

(Specify size) **OUTLET**

\_\_\_\_ IP Threaded

**PREFIXES**

\_\_\_\_ ZN D.C.C.I. Body w/ Polished Nickel Bronze Top\*

**SUFFIXES**

\_\_\_\_ -G Galvanized Cast Iron

\* Regularly furnished unless otherwise specified.