

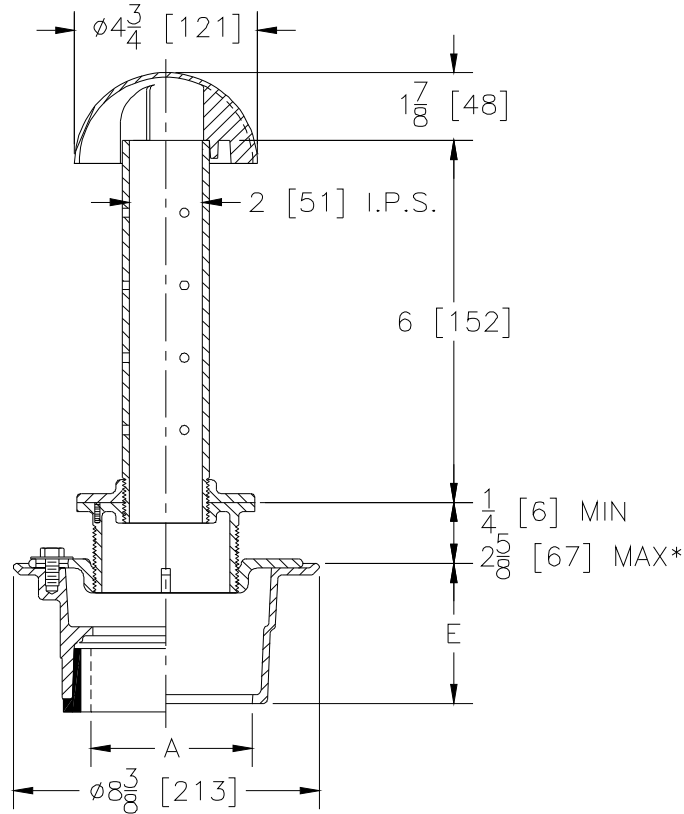


Z350
PLANTING AREA DRAIN

SPECIFICATION SHEET

TAG _____

Dimensional Data (inches and [mm]) are Subject to Manufacturing Tolerances and Change Without Notice



A-Pipe Size Inches [mm]	Approx. Wt. Lbs. [kg]
2, 3, 4 [51, 76, 102]	22 [10]

ENGINEERING SPECIFICATION: ZURN ZN350

Planting area drain, Dura-Coated cast iron body with bottom outlet and combination invertible membrane clamp, vertically adjustable nickel bronze head, floor flange, dome and 2" [51mm] diameter perforated stainless steel standpipe.

OPTIONS (Check/specify appropriate options)

PIPE SIZE

- 2, 3, 4 [51, 76, 102]
- 2, 3, 4 [51, 76, 102]
- 2 [51]
- 3 [76]
- 4 [102]
- 2, 3, 4 [51, 76, 102]
- 2, 3, 4 [51, 76, 102]

(Specify size/type) **OUTLET**

- _____ IC Inside Caulk
- _____ IG Inside Gasket
- _____ IP Threaded
- _____ IP Threaded
- _____ IP Threaded
- _____ NH No-Hub
- _____ NL Neo-Loc

'E' BODY HT. DIM.

- 3-7/8 [98]
- 3-7/8 [98]
- 2-3/8 [60]
- 2-5/8 [67]
- 2-7/8 [73]
- 3-7/8 [98]
- 3-3/4 [95]

PREFIXES

- _____ ZB D.C.C.I Body w/ Polished Brass Standpipe
- _____ ZN D.C.C.I Body w/ Polished Stainless Steel Standpipe*

SUFFIXES

- _____ -C Underdeck Clamp
- _____ -G Galvanized Cast Iron
- _____ -P Trap Primer Connection
(Specify 1/2 [13] or 3/4 [19])
- _____ -PS Solid Standpipe
- _____ -SD Longer Standpipe (Specify Height Required)
- _____ -SS Stainless Steel Mesh Screen over Dome

* Regularly furnished unless otherwise specified.