

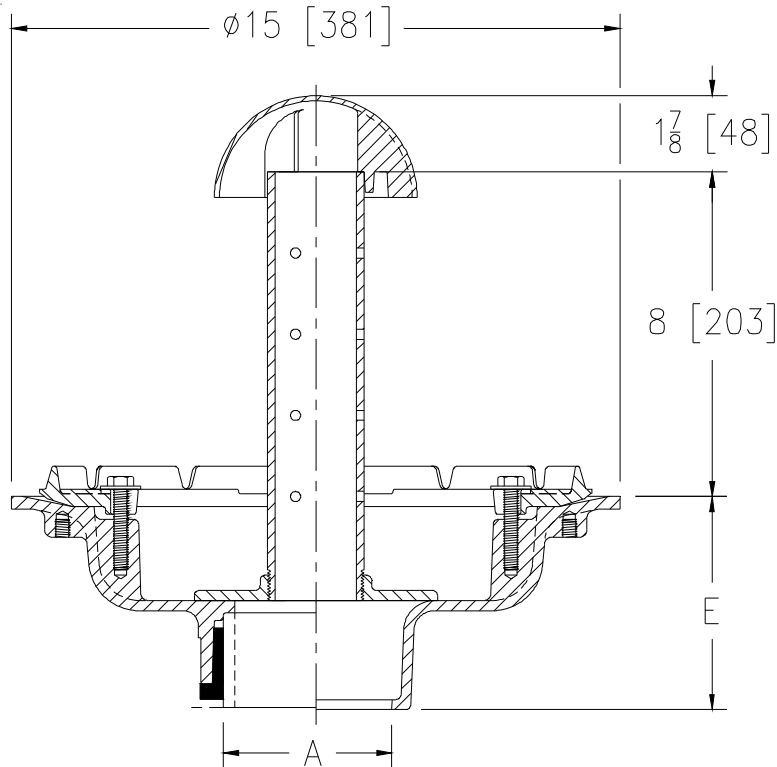


Z349
TERRACE PLANTING AREA DRAIN

SPECIFICATION SHEET

TAG _____

Dimensional Data (inches and [mm]) are Subject to Manufacturing Tolerances and Change Without Notice



A Pipe Size In [mm]	Approx. Wt. Lbs. [kg]
2, 3, 4 [51, 76, 102]	40 [18]
5, 6 [127, 152]	42 [19]

ENGINEERING SPECIFICATION: ZURN Z349

Terrace planting area drain, Dura-Coated cast iron body, 8" [203mm] high perforated overflow standpipe with dome and combination membrane flashing clamp/gravel guard.

OPTIONS (Check/specify appropriate options)

PIPE SIZE

2, 3, 4, 5, 6 [51, 76, 102, 127, 152]
2, 3, 4 [51, 76, 102]
6 [152]

(Specify size/type) **OUTLET**

___ NH No-Hub
___ NL Neo-Loc
___ NL Neo-Loc

'E' BODY HT. DIM.

5-1/4 [133]
4-9/16 [117]
5-7/16 [138]

PREFIXES

___ Z D.C.C.I Body w/ Standpipe and Dome*
___ ZN D.C.C.I Body, Clamp w/ Polished Nickel Bronze Standpipe and Dome

SUFFIXES

___ -C Underdeck Clamp
___ -G Galvanized Cast Iron
___ -SA Stabilizer Assembly (See Z1036)
___ -SD Longer Standpipe (Specify Height Required)
___ -SS Stainless Mesh Screen Over Standpipe

* Regularly furnished unless otherwise specified.