



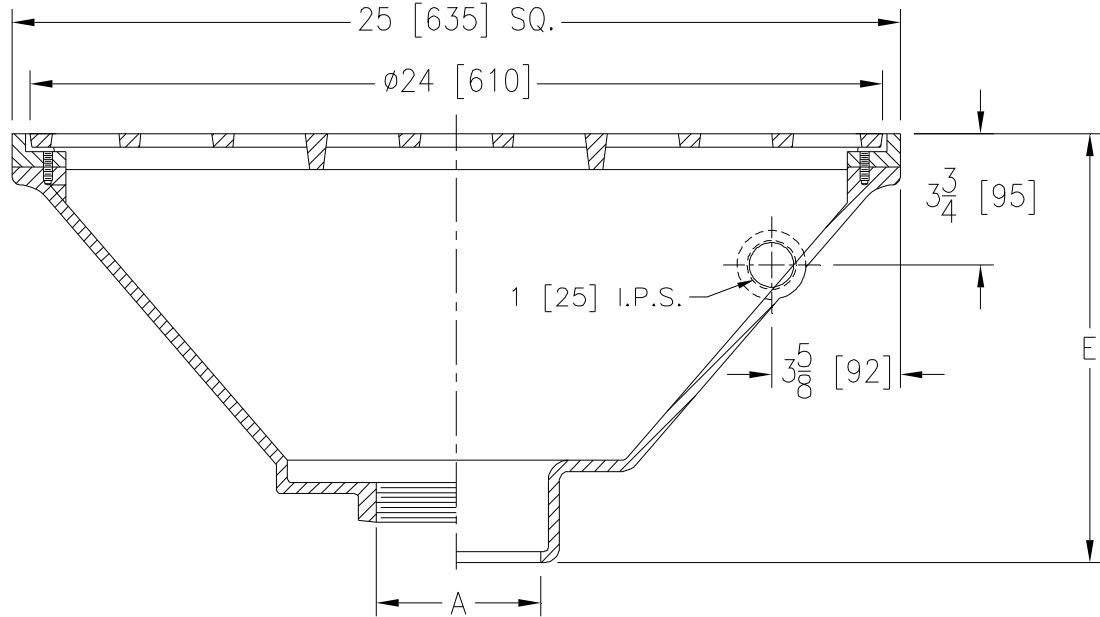
Z319

LARGE CAPACITY THOROFLUSH DRAIN

SPECIFICATION SHEET

TAG _____

Dimensional Data (inches and [mm]) are Subject to Manufacturing Tolerances and Change Without Notice



A-Pipe Size Inches [mm]	Approx. Wt. Lbs. [kg]	Grate Open Area Sq. In. [cm ²]
3, 4, 6, 8 [76, 102, 152, 203]	118 [54]	232 [1497]

ENGINEERING SPECIFICATION: ZURNZN319

25" [635mm] Large Capacity Thoroflush Drain, cast iron body with white acid resistant coating, bottom outlet, and nickel bronze top frame and grate with flushing connection body.

OPTIONS (Check/specify appropriate options)

PIPE SIZE

3, 4 [76, 102]
 3, 4 [76, 102]
 3, 4, 6, 8 [76, 102, 152, 203]

(Specify size/type) OUTLET

___ IC Inside Caulk
 ___ IG Inside Gasket
 ___ IP Threaded

'E' BODY HT. DIM.

12-1/8 [308]
 12-1/8 [308]
 11 [279]

PREFIXES

___ ZN Cast Iron Body w/Acid Resistant Coating and Polished Nickel Bronze Top*

SUFFIXES

___ -G Galvanized Cast Iron
 ___ -P Trap Primer Connection
 ___ -VP Vandal-Proof Secured Top

* Regularly furnished unless otherwise specified.