

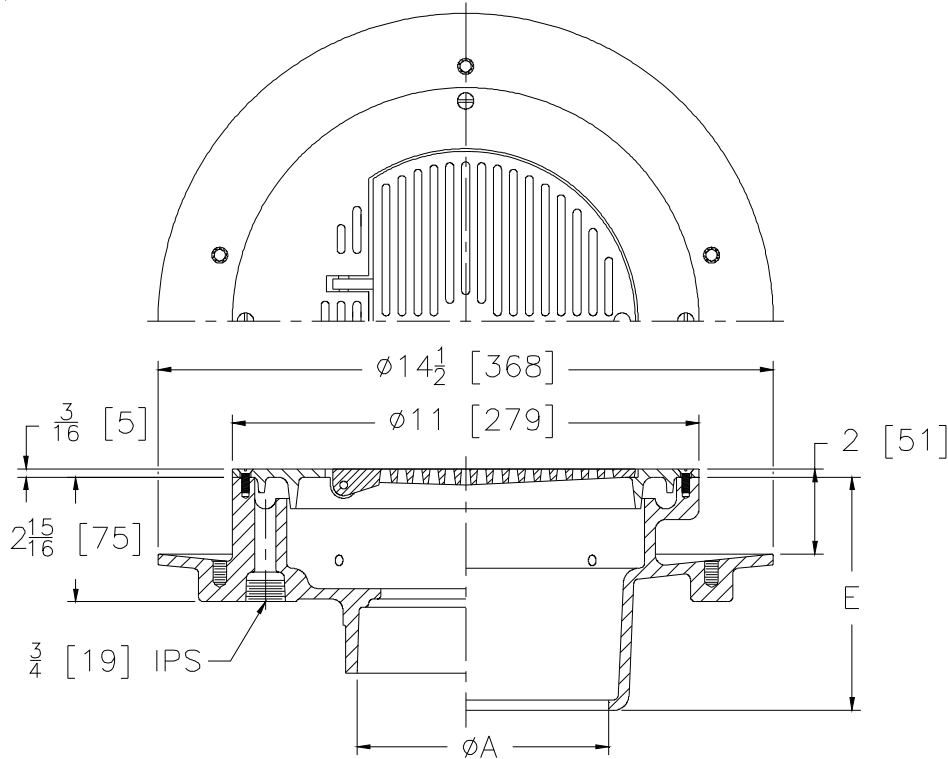


# Z310 THOROFLUSH DRAIN

SPECIFICATION SHEET

TAG \_\_\_\_\_

Dimensional Data (inches and [ mm ]) are Subject to Manufacturing Tolerances and Change Without Notice



A Pipe Size In[mm]	Approx. Wt. Lbs. [kg]	Grate Open Area Sq. In. cm <sup>2</sup>
2,3,4 [51,76,102]	20 [9]	18 [116]

**ENGINEERING SPECIFICATION: ZURN ZN310**  
 11" [279mm] Top Thoroflush Drain, cast iron body with white acid resistant epoxy coated exterior and interior, bottom outlet with seepage pan, nickel bronze flushing rim top and slotted hinged grate.

**OPTIONS** (Check/specify appropriate options)

**PIPE SIZE**

2,3,4 [51,76,102]  
 2,3,4 [51,76,102]

(Specify size/type) **OUTLET**

\_\_\_ IP Threaded  
 \_\_\_ NL Neo-Loc

**'E' BODY HT. DIM.**

5-1/2 [140]  
 4-5/8 [117]

**PREFIXES**

\_\_\_ ZB Cast Iron Body w/ A.R.C. Interior and Exterior w/ Polished Bronze Top  
 \_\_\_ ZN Cast Iron Body w/ A.R.C. Interior and Exterior w/ Polished Nickel Bronze Top\*

**SUFFIXES**

\_\_\_ -C Clamping Collar  
 \_\_\_ -FG Free Set Grate  
 \_\_\_ -IG Integral Grate  
 \_\_\_ -ST Solid Hinged Top  
 \_\_\_ -TC Neo-Loc Test Cap Gasket (2,3,4 [51,76,102] NL Bottom Outlet Only)  
 \_\_\_ -VP Vandal-Proof Screws In Frame  
 \_\_\_ -WB Water Supply Control Box (See Z1464)

\* Regularly furnished unless otherwise specified.