



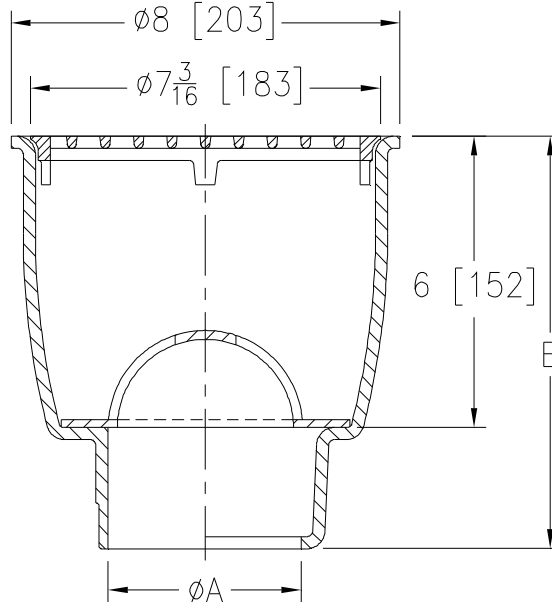
Z1960

8 [203] DIAMETER A.R.E. SANI-FLOR
RECEPTOR 6 [152] SUMP DEPTH

SPECIFICATION SHEET

TAG _____

Dimensional Data (inches and [mm]) are Subject to Manufacturing Tolerances and Change Without Notice



A- Pipe Size in.[mm]	Approx Wt. lbs.[kg]	Grate Open Area in. ² [cm ²]
2,3,4 [51,76,102]	25 [11]	14 [90]

ENGINEERING SPECIFICATION: ZURN Z1960

Sani-Flor Receptor 8" [203mm] Dia. x 6" [152mm] deep cast iron body and squared hole light-duty grate, with white acid resisting porcelain enamel interior and top, complete with white ABS anti-splash interior bottom dome strainer.

OPTIONS (Check/specify appropriate options)

PIPE SIZE

- 3,4 [76,102]
- 2,3,4 [51,76,102]
- 2,3,4 [51,76,102]

(Specify size/type) **OUTLET**

- ___ IC Inside Caulk
- ___ NH No-Hub
- ___ NL Neo-Loc

'E' BODY HT. DIMENSION

Z	ZN
8-1/2 [216]	9 [229]
8-1/2 [216]	9 [229]
8 [203]	8-7/16 [214]

PREFIXES

- ___ Z Cast Iron Body with White A.R.E. Interior*
- ___ ZN Cast Iron Body with White A.R.E. Interior, 8-1/2 [216] Round N.B. Frame and Full Grate w/ 1/2 [13] Square Openings.

SUFFIXES

- | | |
|--|--|
| ___ -K Anchor Flange | ___ -8 Grate w/ 8-7/8 x 3-5/8 x 3-3/4 [225 x 92 x 95] High Oval Funnel |
| ___ -KC Anchor Flange with Seepage Holes and Clamp Collar | ___ -11 Vandal-Proof Secured Grate (ZN Only) |
| ___ -LD Less Bottom Dome Strainer | ___ -15 Solid Loose Set Cover |
| ___ -P 1/2 [13] Trap Primer Connection (See Z1023) | ___ -23 Aluminum Bucket |
| ___ -T Square Frame and Round Grate with 1/4 [6] Square Openings (ZN Only) | ___ -25 White A.R.C. Bucket |
| ___ -TC Neo-Loc Test Cap Gasket (2,3,4 [51,76,102] NL Bottom Outlet Only) | ___ -31 Stainless Steel Mesh Liner for Bucket |
| ___ -1 Less Grate | ___ -32 Aluminum Dome Strainer |
| ___ -2 1/2 Grate | ___ -33 White A.R.C. Anti-Splash Bottom Dome Strainer |
| ___ -3 3/4 Grate | |
| ___ -4 Full Grate with Center Opening | |
| ___ -6 Grate w/ 6 [152] Dia. x 6 [152] High Funnel | |

* Regularly furnished unless otherwise specified.