



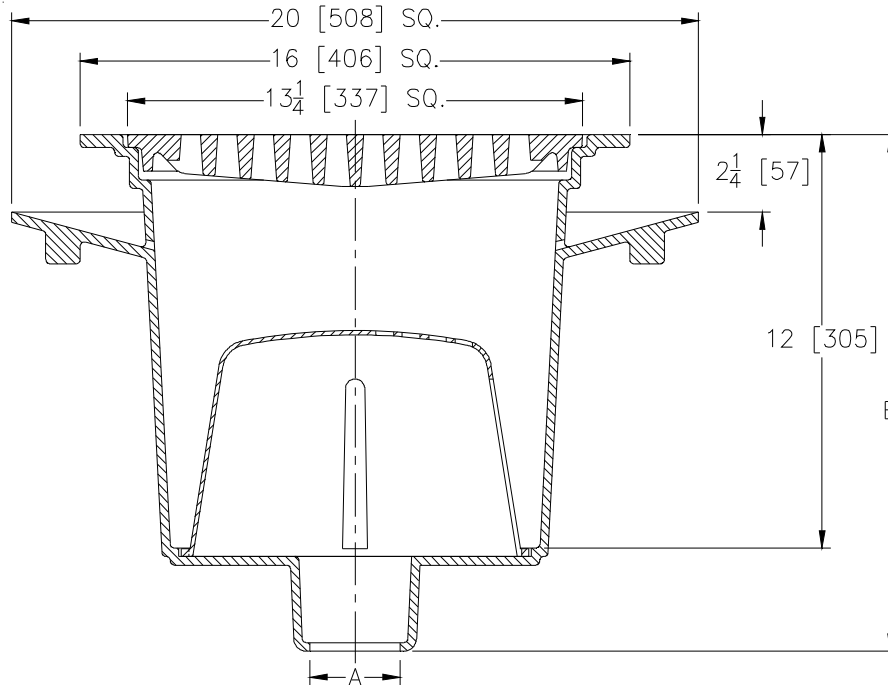
**Z1926**

16 X 16 [406 X 406] A.R.C. SANI-FLOR  
RECEPTOR 12 [305] SUMP DEPTH

**SPECIFICATION SHEET**

**TAG** \_\_\_\_\_

Dimensional Data (inches and [ mm ]) are Subject to Manufacturing Tolerances and Change Without Notice



A- Pipe Size in.[mm]	Approx Wt. lbs.[kg]	Grate Open Area in. <sup>2</sup> [cm <sup>2</sup> ]
2,3,4,5,6,8 [51,76,102,127,152,203]	150 [68]	54 [348]

**ENGINEERING SPECIFICATION: ZURN Z1926**

Sani-Flor Receptor 16" x 16" x 12" [406mm x 406mm x 305mm] deep cast iron body with seepage flange and square, heavy-duty grate with 9/16" [14mm] slotted openings, white acid resisting epoxy coated interior and top, complete with aluminum anti-splash interior bottom dome strainer.

**OPTIONS** (Check/specify appropriate options)

**PIPE SIZE**

- 3,4,6 [76,102,152]
- 2,3,4,5,6,8 [51,76,102,127,152,203]
- 2,3,4 [51,76,102]

(Specify size/type)**OUTLET**

- \_\_\_\_\_ IC Inside Caulk
- \_\_\_\_\_ NH No-Hub
- \_\_\_\_\_ NL Neo-Loc

**'E' BODY HT. DIMENSION**

Z	ZN
15 [381]	15-3/16 [386]
15 [381]	15-3/16 [386]
14-1/4 [362]	14-7/16 [367]

**PREFIXES**

- \_\_\_\_\_ Z Cast Iron Body with White A.R.C. Interior\*
- \_\_\_\_\_ ZN Cast Iron Body with White A.R.C. Interior, 16-3/4 [425] Square N.B. Frame and Full Slotted Grate (Add 3/4 [19] to 16 [406] Dim.)

**SUFFIXES**

- |           |   |           |   |
|-----------|---|-----------|---|
| _____ -C  | Clamp Collar  | _____ -8  | Grate w/ 8-7/8 x 3-5/8 x 3-3/4 [225 x 92 x 95] High Oval Funnel |
| _____ -LD | Less Bottom Dome Strainer   | _____ -11 | Vandal-Proof Secured Grate                                      |
| _____ -P  | 1/2 [13] Trap Primer Connection                                       | _____ -15 | Solid Loose Set Cover   |
| _____ -TC | Neo-Loc Test Cap Gasket<br>(2 ,3,4 [51,76,102] NL Bottom Outlet Only) | _____ -23 | Aluminum Bucket   |
| _____ -1  | Less Grate  | _____ -25 | White A.R.C. Bucket   |
| _____ -2  | 1/2 Grate   | _____ -31 | Stainless Steel Mesh Liner for Bucket                           |
| _____ -3  | 3/4 Grate   | _____ -33 | White A.R.C. Anti-Splash Bottom Dome Strainer                   |
| _____ -4  | Full Grate with 3-3/4 [95] Center Opening                             |           |   |
| _____ -6  | Grate w/ 6 [152] Dia. x 6 [152] High Funnel                           |           |   |

\* Regularly furnished unless otherwise specified.