



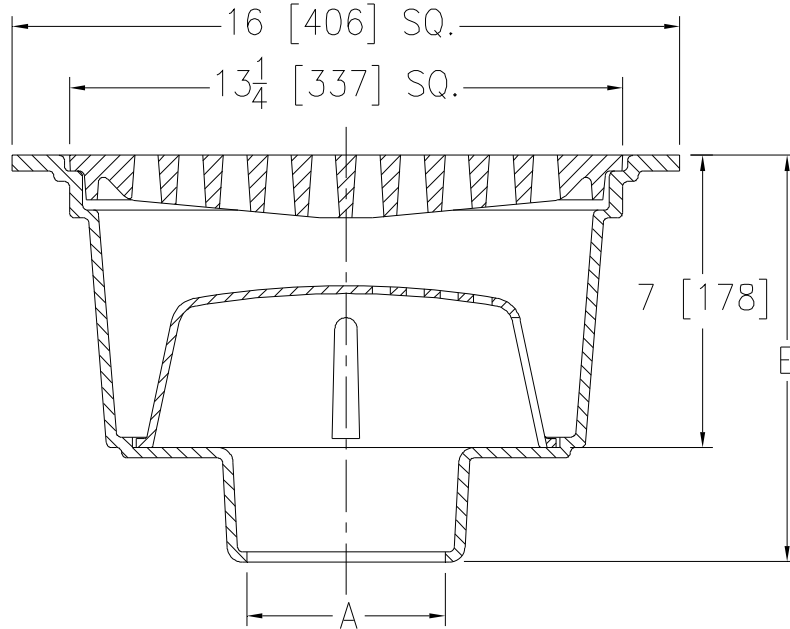
Z1920

16 X 16 [406 X 406] A.R.C. SANI-FLOR
RECEPTOR 7 [178] SUMP DEPTH

SPECIFICATION SHEET

TAG _____

Dimensional Data (inches and [mm]) are Subject to Manufacturing Tolerances and Change Without Notice



| A- Pipe Size in.[mm] | Approx Wt. lbs.[kg] | Grate Open Area in. ² [cm ²] |
|----------------------------------|---------------------------|---|
| 2,3,4,6,8 [51,76,102,152,203] | 81 [37] | 54 [348] |

ENGINEERING SPECIFICATION: ZURN Z1920

Sani-Flor Receptor 16" x 16" x 7" [406mm x 406mm x 178mm] deep cast iron body and square slotted heavy-duty grate, with white acid resisting epoxy coated interior and top, complete with aluminum anti-splash interior bottom dome strainer.

OPTIONS (Check/specify appropriate options)

PIPE SIZE

2,3,4,6 [51,76,102,152]
8 [203]
2,3,4 [51,76,102]

(Specify size/type) **OUTLET**

___ IC Inside Caulk
___ IC Inside Caulk
___ NL Neo-Loc

'E' BODY HT. DIMENSION

| Z | ZN |
|--------------|---------------|
| 9-3/4 [248] | 9-15/16 [252] |
| 10-1/4 [260] | 10-7/16 [265] |
| 9 [229] | 9-3/16 [233] |

PREFIXES

___ Z Cast Iron Body with White A.R.C. Interior*
___ ZN Cast Iron Body with White A.R.C. Interior, 16-3/4 [425] Square N.B. Frame and Full Slotted Grate (Add 3/4 [19] to 16 [406] Dim.)

SUFFIXES

| | |
|---|--|
| ___ -K Anchor Flange | ___ -8 Grate w/ 8-7/8 x 3-5/8 x 3-3/4 [225 x 92 x 95] High Oval Funnel |
| ___ -KC Anchor Flange with Seepage Holes and Clamp Collar | ___ -11 Vandal-Proof Secured Grate |
| ___ -LD (Less) Bottom Dome Strainer | ___ -15 Solid Loose Set Cover |
| ___ -P 1/2 [13] Trap Primer Connection | ___ -23 Aluminum Bucket |
| ___ -TC Neo-Loc Test Cap Gasket (2,3,4 [51,76,102] NL Bottom Outlet Only) | ___ -25 White A.R.C. Bucket |
| ___ -1 (Less) Grate | ___ -31 Stainless Steel Mesh Liner for Bucket |
| ___ -2 1/2 Grate | ___ -33 White A.R.C. Anti-Splash Bottom Dome Strainer |
| ___ -3 3/4 Grate | |
| ___ -4 Full Grate with Square Center Opening | |
| ___ -6 Grate w/ 6 [152] Dia. x 6 [152] High Funnel | |

* Regularly furnished unless otherwise specified.