



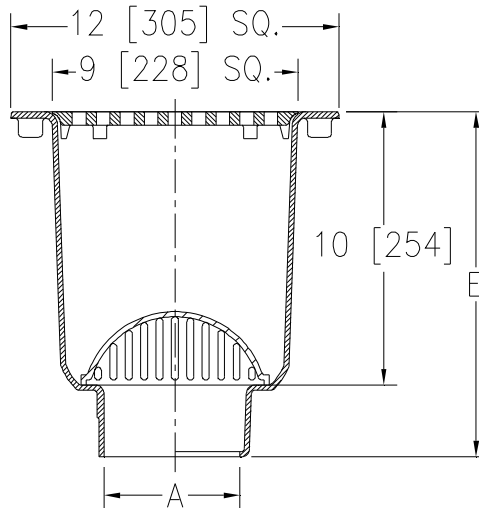
# Z1902

12 X 12 [305 X 305] A.R.E. SANI-FLOR RECEPTOR w/  
10 [254] SUMP DEPTH

SPECIFICATION SHEET

TAG \_\_\_\_\_

Dimensional Data (inches and [ mm ]) are Subject to Manufacturing Tolerances and Change Without Notice



A -Pipe Size in [mm]	Approx Wt. lbs.[kg]	Grate Open Area in <sup>2</sup> [cm <sup>2</sup> ]
2, 3, 4 [51, 76, 102]	36 [13]	31 [200]

### ENGINEERING SPECIFICATION: ZURN Z1902

Sani-Flor Receptor 12" x 12" x 10" [305mm x 305mm x 254mm] Deep cast iron body and square, light-duty grate with 1/2" [13mm] slotted openings, white acid resisting porcelain enamel interior and top, complete with white ABS anti-splash interior bottom dome strainer.

**OPTIONS** (Check/specify appropriate options)

#### PIPE SIZE

- 3, 4 [76, 102]
- 2, 3, 4 [51, 76, 102]
- 2, 3, 4 [51, 76, 102]

#### OUTLET (Specify size/type)

- \_\_\_\_\_ IC Inside Caulk
- \_\_\_\_\_ NH No-Hub
- \_\_\_\_\_ NL Neo-Loc

#### 'E' BODY HT. DIMENSION

Z	ZN / ZS
12-5/8 [321]	13-1/8 [333]
12-5/8 [321]	13-1/8 [333]
12 [305]	12-1/2 [318]

#### PREFIXES

- \_\_\_\_\_ Z Cast Iron Body w/ White A.R.E. Interior\*
- \_\_\_\_\_ ZN Cast Iron Body w/ White A.R.E. Interior, 12-1/2 [318] Square N.B. Frame and Full Grate w/ 1/2 [13] Square Openings (Add 1/2 [13] to 12 [305] Dim.)
- \_\_\_\_\_ ZS Cast Iron Body w/ White A.R.E. Interior, 12-1/2 [318] Square Stainless Steel Frame and Full Grate w/ 1/2 [13] Square Openings (Add 1/2 [13] to 12 [305] Dim.)

#### SUFFIXES

- \_\_\_\_\_ -DX Dex-O-Tex Flange (ZN Only)
- \_\_\_\_\_ -HD Stainless Steel Frame w/ Extra-Heavy Duty Stainless Steel Grate (ZS Only)
- \_\_\_\_\_ -HP Heel-Proof Grate (ZN Only)
- \_\_\_\_\_ -K Anchor Flange
- \_\_\_\_\_ -KC Anchor Flange w/ Seepage Holes and Clamp Collar
- \_\_\_\_\_ -LD (Less) Bottom Dome Strainer
- \_\_\_\_\_ -P 1/2 [13] Trap Primer Connection (See Z1023)
- \_\_\_\_\_ -SA Stabilizer Assembly (See Z1903)
- \_\_\_\_\_ -TC Neo-Loc Test Cap Gasket (2, 3, 4 [51, 76, 102] NL Bottom Outlet Only)
- \_\_\_\_\_ -VPS Vandal-Proof Strainer
- \_\_\_\_\_ -1 (Less) Grate
- \_\_\_\_\_ -2 1/2 Grate
- \_\_\_\_\_ -3 3/4 Grate
- \_\_\_\_\_ -4 Full Grate w/ Center Opening (2 [51] Dia. for Z) and (3-1/32 [77] Square for ZN & ZS)
- \_\_\_\_\_ -6 Grate w/ 6 [152] Dia. x 6 [152] High Funnel
- \_\_\_\_\_ -8 Grate w/ 8-7/8 x 3-5/8 x 3-3/4 [225 x 92 x 95] High Oval Funnel
- \_\_\_\_\_ -11 Vandal-Proof Secured Grate (ZN & ZS Only)
- \_\_\_\_\_ -15 Solid Loose Set Cover (Z & ZN Only)
- \_\_\_\_\_ -19 Full Hinged Grate (ZN Only)
- \_\_\_\_\_ -23 Aluminum Bucket
- \_\_\_\_\_ -25 White A.R.C. Bucket
- \_\_\_\_\_ -31 Stainless Steel Mesh Liner for Bucket
- \_\_\_\_\_ -32 Aluminum Dome Strainer
- \_\_\_\_\_ -33 White A.R.C. Anti-Splash Bottom Dome Strainer

\* Regularly furnished unless otherwise specified.