



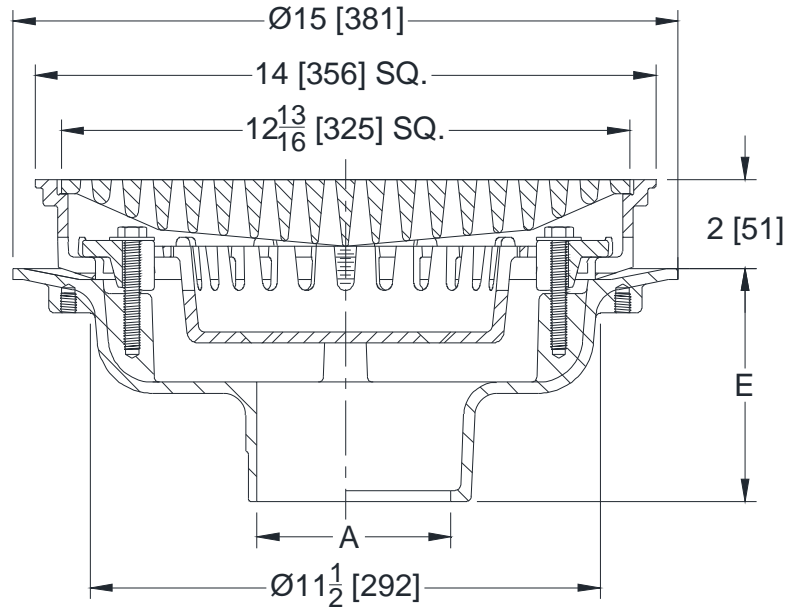
Z150

14 [356] SQUARE TOP PROM-DECK DRAIN W/
HEEL-PROOF GRATE, ROTATABLE FRAME & SEDIMENT
BUCKET

SPECIFICATION SHEET

TAG _____

Dimensional Data (inches and [mm]) are Subject to Manufacturing Tolerances and Change Without Notice



A- Pipe Size In. [mm]	Approx. Wt. Lbs. [kg]	Grate Open Area Sq. In. [cm ²]
2, 3, 4 [51, 76, 102]	62 [28]	44 [284]
6 [152]		
8 [203]	63 [29]	

ENGINEERING SPECIFICATION: ZURN Z150

14" [356mm] Square Top Prom-Deck drain. Dura-Coated cast iron body with rotatable square promenade frame with seepage openings, frame clamps, heavy-duty heel-proof duresist grate and sediment bucket.

OPTIONS (Check/specify appropriate options)

PIPE SIZE

- 3, 4, 6 [76, 102, 152]
- 2, 3, 4, 6, 8 [51, 76, 102, 152, 203]
- 2, 3, 4, 6, 8 [51, 76, 102, 152, 203]
- 2, 3, 4 [51, 76, 102]

(Specify size/type) **OUTLET**

- ___ IC Inside Caulk
- ___ IP Threaded
- ___ NH No-Hub
- ___ NL Neo-Loc

E BODY HT. DIM.

- 5-1/4 [133]
- 3-3/4 [95]
- 5-1/4 [133]
- 4-9/16 [116]

PREFIXES

- ___ Z D.C.C.I. Body with Top*
- ___ ZB D.C.C.I. Body with Polished Bronze Top (Add 3/16 [5] to 2 [51] Dim & 3/8 [10] to 14 [356] Dim.)
- ___ ZN D.C.C.I. Body with Polished Nickel Bronze Top (Add 3/16 [5] to 2 [51] Dim. & 3/8 [10] to 14 [356] Dim.)

SUFFIXES

- | | |
|---|--|
| ___ -AR Acid Resistant Epoxy Coated | ___ -G Galvanized Cast Iron |
| ___ -C Underdeck Clamp | ___ -R Roof Sump Receiver |
| ___ -DE Deck Extension | ___ -S Secondary Strainer |
| ___ -DP Top-Set [®] Roof Deck Plate
(Replaces both the -C and -R) | ___ -SC Secondary Clamp Collar |
| ___ -DR Top-Set [®] Drain Riser
(Adjustment from 3-5/8 [92] to 7-1/4 [184]) | ___ -TC Neo-Loc Test Cap Gasket
(2, 3, 4 [51, 76, 102] NL Bottom Outlet Only) |
| ___ -DT Decorative Polished Top (ZB and ZN Only) | ___ -TS Top Secured with Slotted Screws |
| ___ -E Static Extension 1 [25] thru 4 [102] (Specify Ht.) | ___ -VP Vandal-Proof Secured Top |
| ___ -EA Adjustable Extension Assembly
2-1/8 [54] thru 3-1/2 [89] | ___ -XJ Vertical Expansion Joint (See Z190) |
| ___ -EB Top-Set [®] Adjustable Extension Assembly | ___ -85 Stainless Steel Perforated Extension |
| | ___ -90 90° Threaded Side Outlet Body
(2, 3, 4, 6 [51, 76, 102, 152]) |

* Regularly furnished unless otherwise specified.