

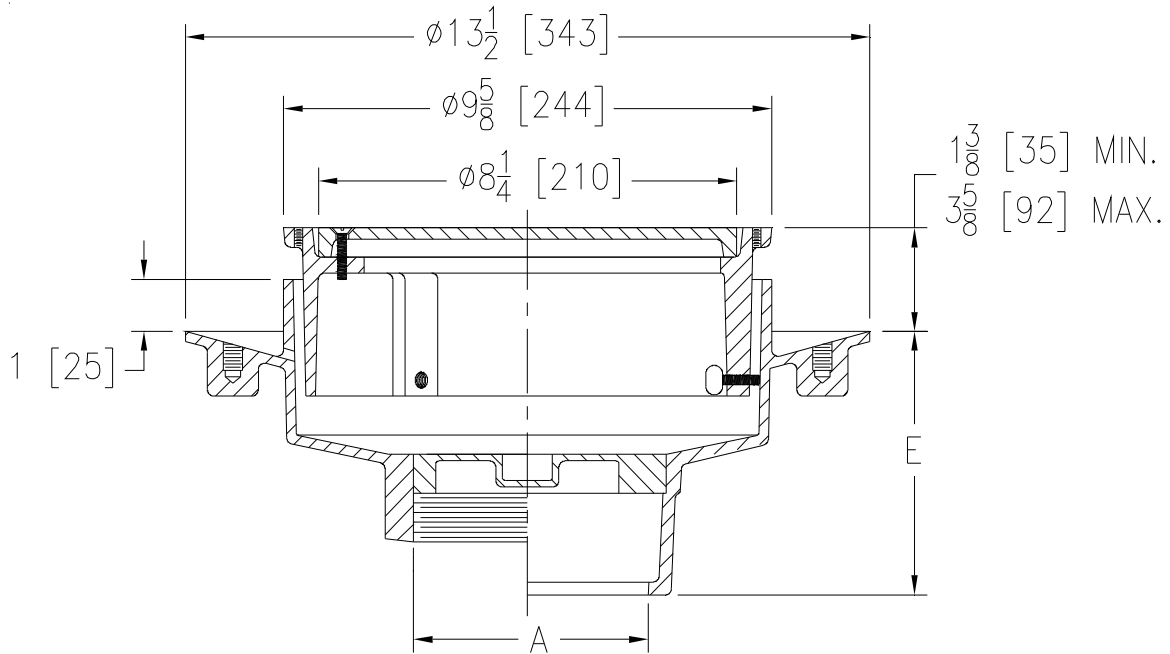


**Z1454**  
**ADJUSTABLE FLOOR CLEANOUT**  
**W/ FLASHING FLANGE**

**SPECIFICATION SHEET**

**TAG \_\_\_\_\_**

Dimensional Data (inches and [ mm ]) are Subject to Manufacturing Tolerances and Change Without Notice



A Pipe Size In. [mm]	Approx. Wt. Lbs [kg]
2,3 [51,76]	33 [15]
4 [102]	34 [15]

**ENGINEERING SPECIFICATION: ZURN Z1454**

Adjustable Floor cleanout, Dura-Coated cast iron body, gas and watertight ABS tapered thread plug, and round scoriated Dura-Coated cast iron adjustable with secured cover top complete with membrane flashing flange.

**OPTIONS** (Check/specify appropriate options)

**PIPE SIZE**

2,3,4 [51,76,102]  
 2,3,4 [51,76,102]

(Specify size/type) **OUTLET**

\_\_\_ IC Inside Caulk  
 \_\_\_ IP Threaded

**'E' DIM**

5-1/4 [133]  
 4-1/4 [108]

**PREFIXES**

\_\_\_ Z Dura-Coated Cast Iron.\*  
 \_\_\_ ZN D.C.C.I. with Polished Nickel Bronze Scoriated Top (Add 3/16 [5] to 1-3/8 [35] Min.- 3-5/8 [92] Max.)

**SUFFIXES**

\_\_\_ -C Clamp Collar  
 \_\_\_ -G Galvanized Cast Iron  
 \_\_\_ -VP Vandal-Proof Secured Top

\* Regularly furnished unless otherwise specified.