



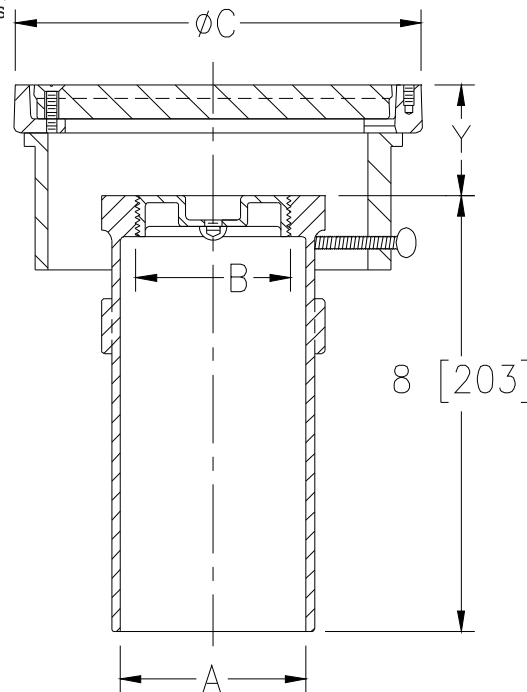
# Z1406 HEAVY-DUTY SPIGOT CLEANOUT ADJUSTABLE

SPECIFICATION SHEET

TAG \_\_\_\_\_

Dimensional Data (inches)

id Change Without Notice



Dimensions In Inches[mm]			'Y'		Approx. Wt. Lbs. [kg]
A PIPE SIZE	B N.P.T.	C	Min.	Max.	
3 [76]	2	6-1/8 [156]	7/8	2	11[5]
4 [102]	3-1/2	7-1/4 [184]	[22]	[51]	15[7]
6 [152]	3-1/2	9-1/4 [235]			23[10]

**ENGINEERING SPECIFICATION: ZURNZ1406**  
Adjustable floor cleanout with spigot connection for caulking into Hub. Dura-Coated cast iron body with gas and watertight ABS plug and cast iron housing with round, scoriated, secured cast iron heavy-duty cover adjustable to finished floor.

**OPTIONS** (Check/specify appropriate options)

**PIPE SIZE** (Specify size) **OUTLET**  
3,4,6 [76,102,152] \_\_\_\_\_ SP Spigot

**PREFIXES**

- \_\_\_\_\_ Z Dura-Coated Cast Iron\*
- \_\_\_\_\_ ZN D.C.C.I. Body with Polished Nickel Bronze Light-Duty Top (Deduct 1/2 [13] from 'Y' Dim.)
- \_\_\_\_\_ ZS D.C.C.I. Body with Polished Stainless Steel Heavy-Duty Top (Add 3/16 [5] to 'Y' Dim.)

**SUFFIXES**

- \_\_\_\_\_ -AR Acid Resisting Epoxy Coated Finish
- \_\_\_\_\_ -BP Bronze Plug
- \_\_\_\_\_ -CF Carpet Flange (ZN only)
- \_\_\_\_\_ -CM Carpet Marker
- \_\_\_\_\_ -DC Duresist Cover
- \_\_\_\_\_ -DX Round ZN Top with Dex-o-Tex Flange (3,4 [76,102] Sizes Only)
- \_\_\_\_\_ -G Galvanized Cast Iron
- \_\_\_\_\_ -HD Heavy-Duty Veneer Top (Add 1/8 [3] to 'Y' Dim. for ZN only)
- \_\_\_\_\_ -SG Solid Gasketed Cover
- \_\_\_\_\_ -SM Special Marking Stamped on Top
- \_\_\_\_\_ -T Square Top
- \_\_\_\_\_ -TX Square Top Recessed for 1/8 [3] Tile (ZN only)
- \_\_\_\_\_ -VP Vandal-Proof Screws
- \_\_\_\_\_ -X Round Top Recessed for 1/8 [3] Tile (ZN only)

\* Regularly furnished unless otherwise specified.