



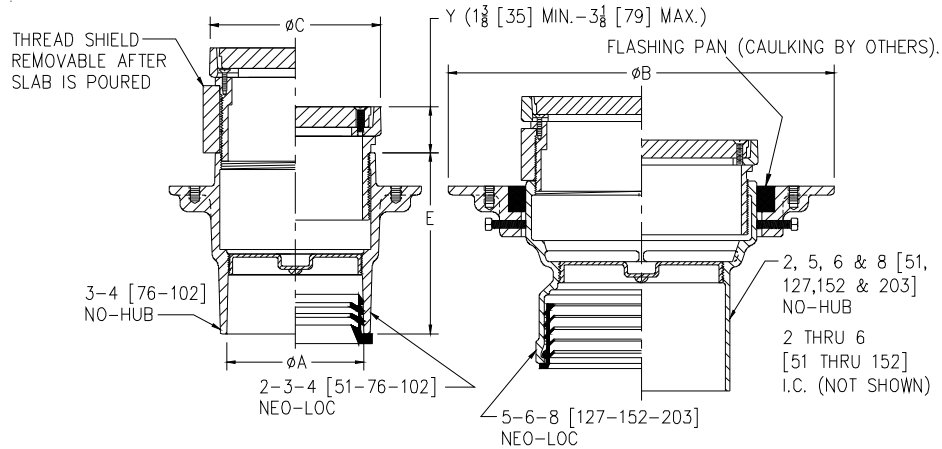
Z1400-K

HEAVY-DUTY "LEVEL-TROL" ADJUSTABLE FLOOR CLEANOUT W/ ANCHOR FLANGE

SPECIFICATION SHEET

TAG _____

Dimensional Data (inches and [mm]) are Subject to Manufacturing Tolerances and Change Without Notice



ENGINEERING SPECIFICATION: ZURNZ1400-K

"Level-Trol" Adjustable floor cleanout, Dura-Coated cast iron body with anchor flange, gas and watertight ABS tapered thread plug and round scoriated cast iron heavy-duty secured top (Specify finish Z, ZB, ZN, ZS) adjustable to finished floor.

Dimension In Inches				Approx. Wt. Lbs. [kg.]
A-Pipe Size	B	C	E	
Inside Caulk				
2 [51]	9-1/2 [241]	6-1/8 [156]	6-7/8 [175]	18.1 [8.2]
3 [76]	9-1/2 [241]	6-1/8 [156]	6-7/8 [175]	18.8 [8.5]
4 [102]	11-1/2 [292]	7-1/4 [184]	6-7/8 [175]	20.3 [9.2]
5 [127]	11-1/2 [292]	8-1/4 [210]	6-7/8 [175]	25.2 [11.4]
6 [152]	12-1/4 [292]	9-1/4 [235]	6-7/8 [175]	39.2 [17.8]
No-Hub				
2 [51]	7-1/2 [191]	4-1/8 [105]	4-5/8 [117]	11.3 [5.1]
3 [76]	7-1/2 [191]	5-1/8 [130]	5-3/8 [137]	10 [4.5]
4 [102]	7-1/2 [191]	5-1/8 [130]	5-3/8 [137]	12.6 [5.7]
5 [127]	11-1/2 [292]	7-1/4 [184]	7-1/2 [191]	20.2 [9.1]
6 [152]	11-1/2 [292]	8-1/4 [210]	4-3/4 [121]	29.2 [132]
8 [203]	12-1/4 [311]	9-1/4 [235]	7-1/2 [191]	37.9 [17.2]
Neo-Loc				
2 [51]	7-1/2 [191]	5-1/8 [130]	5-3/8 [137]	12.2 [5.5]
3 [76]	7-1/2 [191]	5-1/8 [130]	5-3/8 [137]	12.9 [6]
4 [102]	7-1/2 [191]	5-1/8 [130]	5-3/8 [137]	14.2 [6.4]
5 [127]	11-1/2 [292]	7-1/4 [184]	6-1/2 [165]	21.3 [9.7]
6 [152]	11-1/2 [292]	8-1/4 [210]	5-7/8 [149]	28.9 [13.1]
8 [203]	12-1/4 [311]	9-1/4 [235]	6-1/2 [165]	31.5 [14.3]

OPTIONS (Check/specify appropriate options)

PREFIXES

- ___ Z Dura Coated Cast Iron*
- ___ ZB D.C.C.I. w/ Polished Bronze Light-Duty Top (Deduct 1/2 [13] from 'Y' Dim.)
- ___ ZN D.C.C.I. w/ Polished Nickel Bronze Light-Duty Top (Deduct 1/2 [13] from 'Y' Dim.)
- ___ ZS D.C.C.I. w/ Polished Stainless Steel Heavy-Duty Top (Add 3/16 [5] to 'Y' Dim.)

SUFFIXES

- ___ -AR Acid Resisting Epoxy Coated Finish
- ___ -BP Bronze Plug
- ___ -C Clamp Collar
- ___ -CF Carpet Flange Cover (ZB and ZN only)
- ___ -CM Carpet Marker
- ___ -DC Duresist Cover
- ___ -DX Round ZB or ZN Top with Dex-o-tex Flange (2 thru 4 [51 thru 102] Sizes only)
- ___ -G Galvanized Cast Iron
- ___ -HD Heavy-Duty Veneer Top (Add 1/8 [3] to 'Y' Dim.) (ZB and ZN only)
- ___ -SA Stabilizer Assembly
- ___ -SG Solid Gasketed Cover
- ___ -SM Special Marking Stamped on Top
- ___ -T Square Top
- ___ -TC Neo-Loc Test Cap Gasket (2-4 [51-102] NL Bottom Outlet Only)
- ___ -TX Square Top Recessed for 1/8 [3] Tile (ZB and ZN only)
- ___ -VP Vandal-Proof Screws
- ___ -X Round Top Recessed for 1/8 [3] Tile (ZB or ZN only)
- ___ -Z Round Top Recessed for 1-1/4 [32] Terrazzo (ZB or ZN only)

PIPE SIZE

- 2 thru 6 [51 thru 152]
- 2 thru 6-8 [51 thru 152-203]
- 2 thru 6-8 [51 thru 152-203]

OUTLET (Specify size/type)

- ___ IC Inside Caulk
- ___ NH No-Hub
- ___ NL Neo-Loc

'E' BODY HT. DIM.

- See Chart
- See Chart
- See Chart

*REGULARLY FURNISHED UNLESS OTHERWISE SPECIFIED

REV. D	DATE: 11/02/10	C.N. NO. 120211
DWG. NO. 82525	PRODUCT NO. Z1400-K	

ZURN INDUSTRIES, LLC. ♦ SPECIFICATION DRAINAGE OPERATION ♦ 1801 Pittsburgh Ave. ♦ Erie, PA 16514

Phone: 814455-0921 ♦ Fax: 814454-7929 ♦ World Wide Web: www.zurn.com

In Canada: ZURN INDUSTRIES LIMITED ♦ 3544 Nashua Drive ♦ Mississauga, Ontario L4V1L2 ♦ Phone: 905405-8272 Fax: 905405-1292