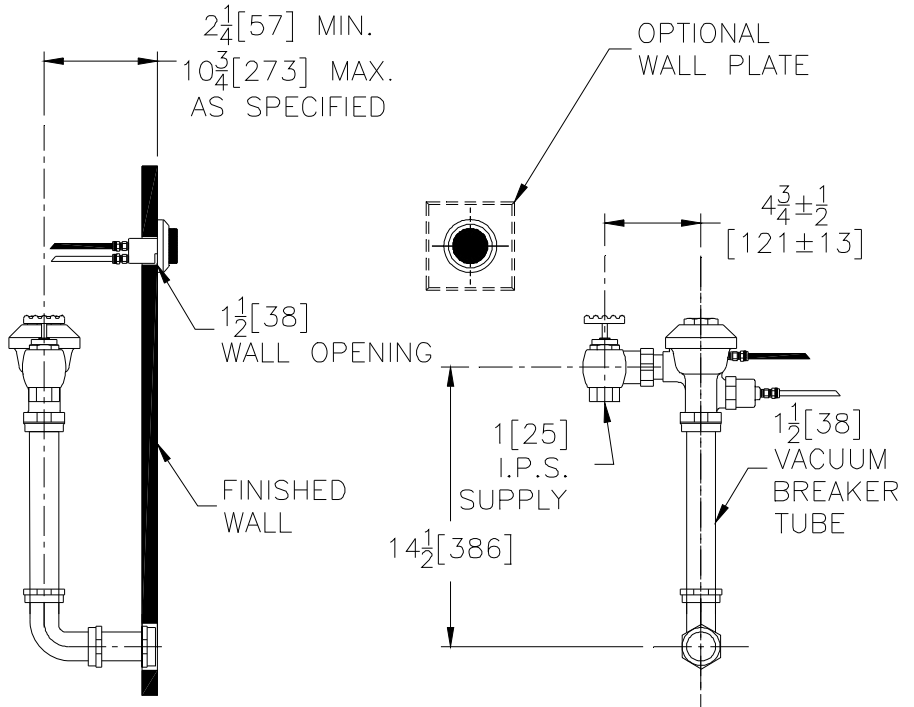




# ZH6152AV-HET

1.28 GPF Concealed Flush Valve with Hydraulic Actuator For Water Closets



**Suffix Options (Check/Specify Appropriate Options)**

- FW** Fixture Wall Mounted Hydraulic Actuator
- MB** 1"[25] Metal push button Hydraulic Actuator
- MBP** 1"[25] Metal push button for Penal Application
- SW** Side Wall Mounted Hydraulic Actuator
- WP** Wall Plate for Push Button (ZP-50)
- \_\_\_\_\_ Other

**ENGINEERING SPECIFICATION: ZURN ZH6152AV-HET AquaVantage® 'AV' Concealed Closet Flush Valve with Hydraulic Actuation-** Concealed, quiet diaphragm-type rough brass flushometer valve with Zurn's 1.28 gpf AquaVantage® TPE, chloramine resistant, dual seal diaphragm with a clog resistant, triple filtered by-pass. The valve is complete with a non-hold open type hydraulic push button actuator that may be located up to 36"[914] (7"[2133] with -SW option) from the valve, high back pressure vacuum breaker, one piece hex coupling nut, adjustable tailpiece, elbow flush connection, spud coupling and flange for back spud connection. Control stop has internal siphon-guard protection, and sweat solder kit. Internal seals are made of chloramine resistant materials.

Architectural/Engineering Approval

The information contained in this document is subject to change without notice.  
Please contact Zurn for most up to date information.

ZURN INDUSTRIES, LLC. ♦ COMMERCIAL BRASS OPERATION ♦ 5900 ELWIN BUCHANAN DRIVE ♦ SANFORD NC 27330

Phone: 1-800-997-3876 ♦ Fax: 919-775-3541 ♦ World Wide Web: www.zurn.com

In Canada: ZURN INDUSTRIES LIMITED ♦ 7900 Goreway Drive Unit 10 ♦ Brampton, Ontario L6T5W6 ♦ Phone: 905-405-8272 Fax: 905-405-1292