

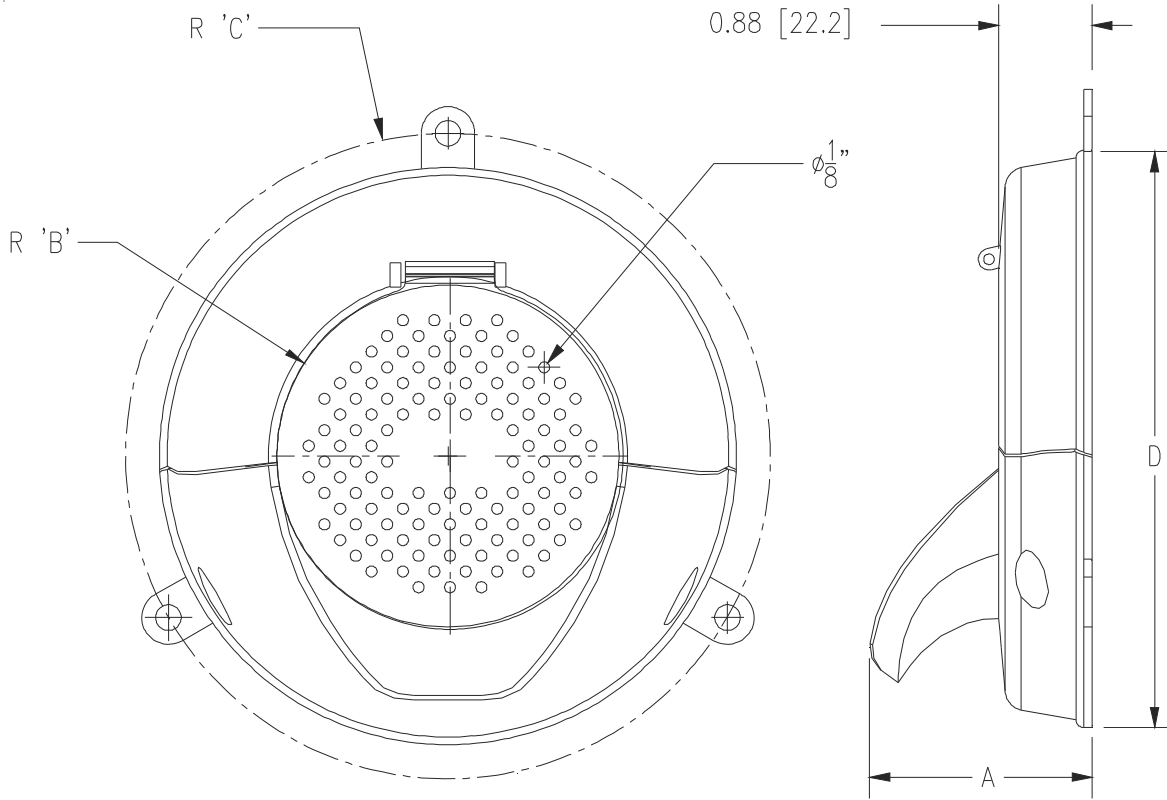


ZF199 CHAMELEON DOWNSPOUT NOZZLE WITH FLAPPER

SPECIFICATION SHEET

TAG _____

Dimensional Data (inches and [mm]) are Subject to Manufacturing Tolerances and Change Without Notice



Pipe Size	A In. [mm]	B In. [mm]	C In. [mm]	D In. [mm]	Weight Lbs. [kg]
** 2 [51]	2.5 [64]	1 [25]	2.70 [69]	5.31 [135]	0.51 [0.23]
3 [76]	2.5 [64]	1.5 [38]	3.27 [83]	5.75 [146]	1.07 [0.49]
4 [102]	2.5 [64]	2 [51]	3.77 [96]	6.75 [171]	1.11 [0.50]
6 [152]	2.5 [64]	3 [76]	4.77 [121]	8.75 [222]	1.75 [0.79]
8 [203]	2.5 [64]	4 [102]	5.84 [148]	10.85 [275]	2.53 [1.15]
10 [254]	2.5 [64]	5 [127]	6.90 [175]	13.71 [348]	3.21 [1.46]

ENGINEERING SPECIFICATION: ZURN ZF199 Chameleon Downspout Nozzle, all aluminum body, downspout gasket for cast iron or PVC inlet with powder coated face of wall flange, outlet nozzle, and perforated hinged flapper.

OPTIONS (Check/specify appropriate options)

PIPE SIZE

2, 3, 4, 6, 8, 10 [51,76,102,152, 203, 254]

(Specify size/type) **OUTLET**

___ DSG Downspout Gasket

PREFIXES

___ ZF All Aluminum Body*

COLORS

(Must Specify Color)

- ___ -BW Bone White
- ___ -JB Jet Black
- ___ -MB Medium Bronze
- ___ -SGR Satin Grey
- ___ -SAN Sandstone

* Regularly furnished unless otherwise specified.
** Flapper not included for 2" [51mm] pipe size.